

[54] SAW CHAIN SHARPENING FIXTURE

[75] Inventor: Frank J. Aksamit, W. Hartford, Conn.

[73] Assignee: Pro Sharp Corporation

[**] Term: 14 Years

[21] Appl. No.: 866,475

[22] Filed: Jan. 3, 1978

[51] Int. Cl. D8-05

[52] U.S. Cl. D8/91; D8/71

[58] Field of Search D8/91, 71; 76/25 A, 76/36, 37; D15/126

[56] References Cited

U.S. PATENT DOCUMENTS

2,568,062 9/1951 Fitch 76/25 A

2,643,553	6/1953	Evanoff	76/37
2,677,289	5/1954	Fitch	76/25 A
2,701,975	2/1955	Evanoff	76/37
3,091,136	5/1963	Maier	76/36
3,942,255	3/1976	Bakoledis	D8/91

Primary Examiner—W. Stallard
Attorney, Agent, or Firm—John M. Prutzman

[57] CLAIM

The ornamental design of a saw chain sharpening fixture, as shown and described.

DESCRIPTION

FIG. 1 is a top plan view of a saw chain sharpening fixture showing my new design; FIG. 2 is a rear elevational view thereof; FIG. 3 is a side elevational view thereof; FIG. 4 is a bottom plan view thereof; and FIG. 5 is a front elevational view thereof.

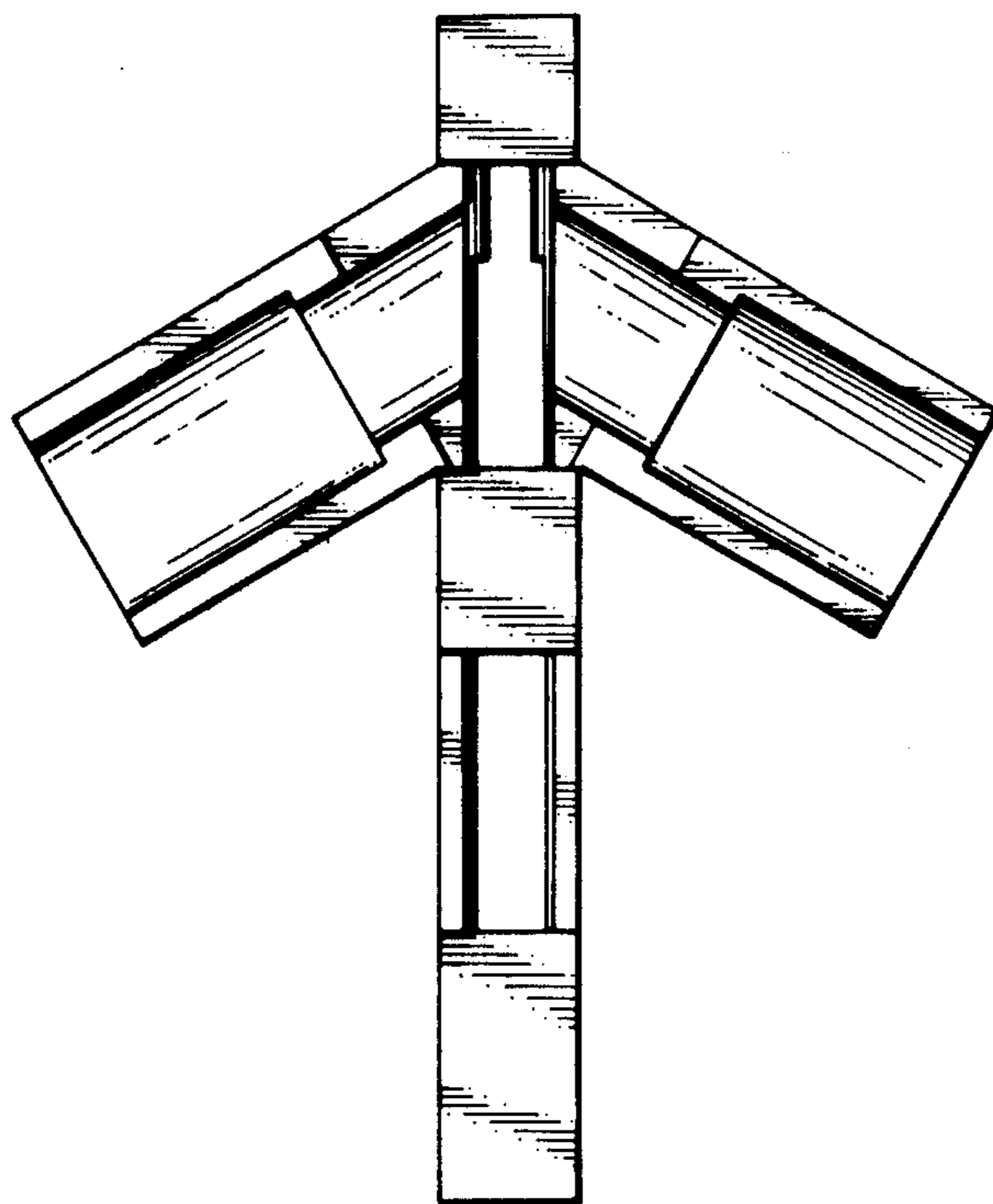


FIG. 1

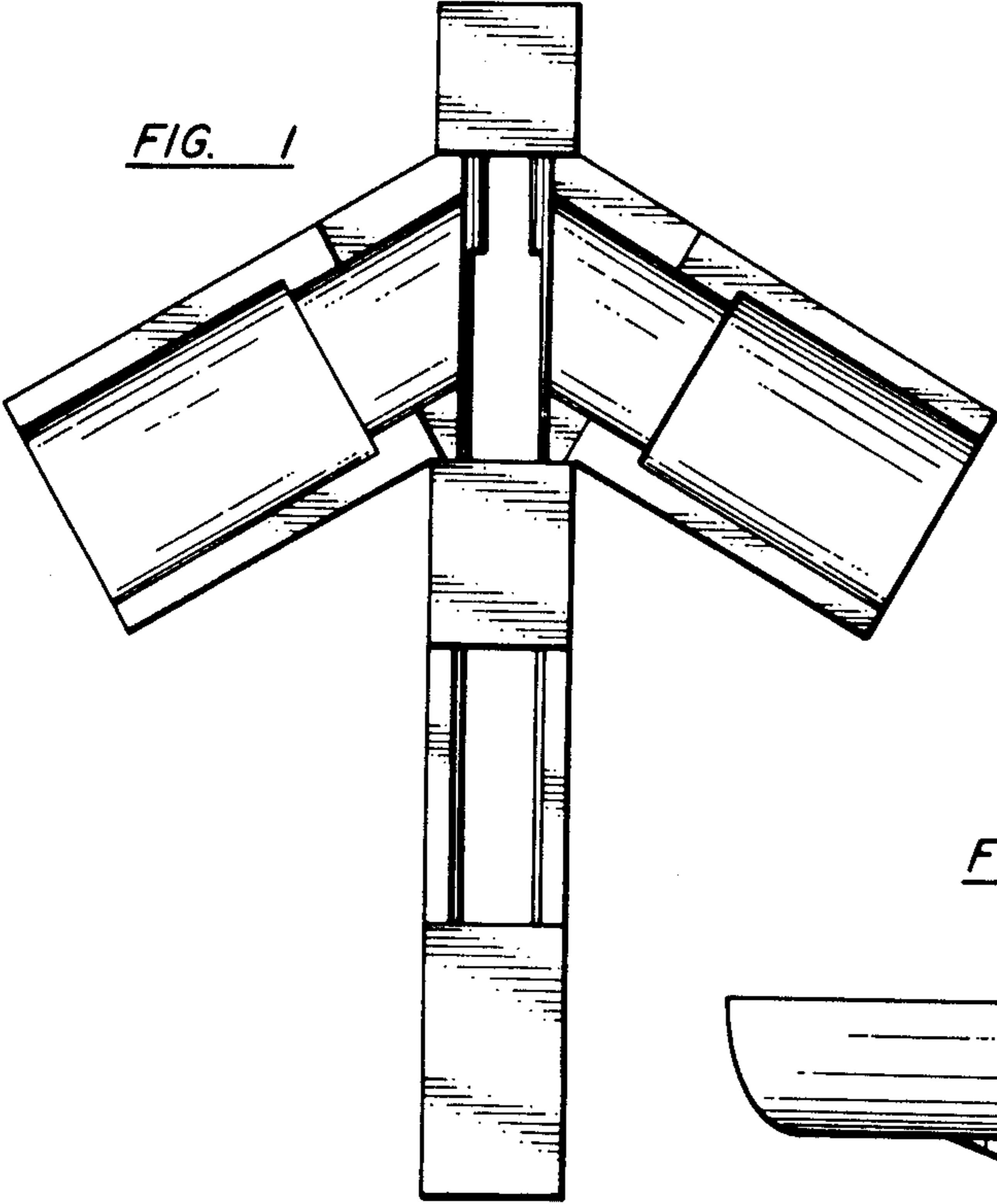


FIG. 2

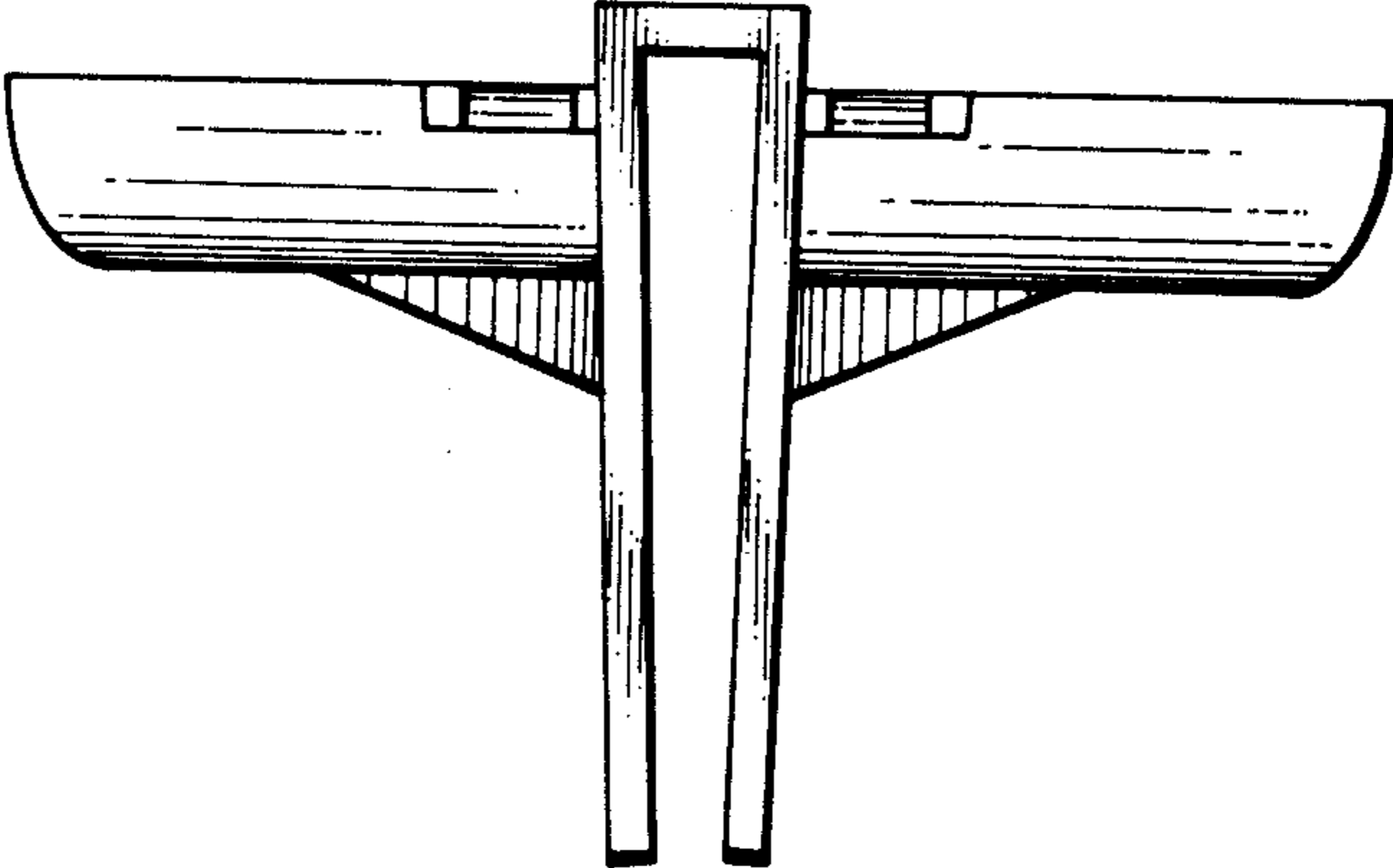


FIG. 3

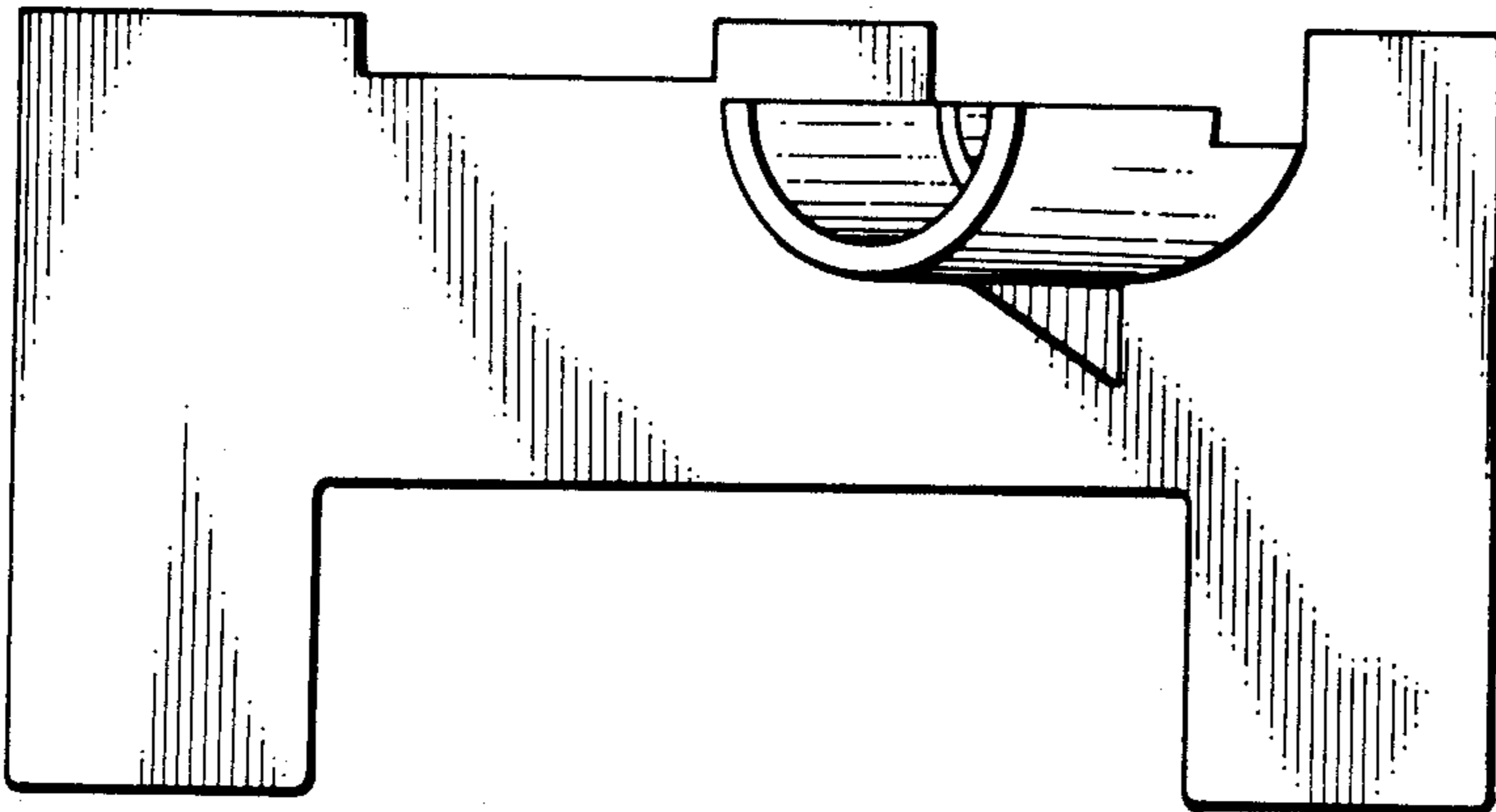


FIG. 4

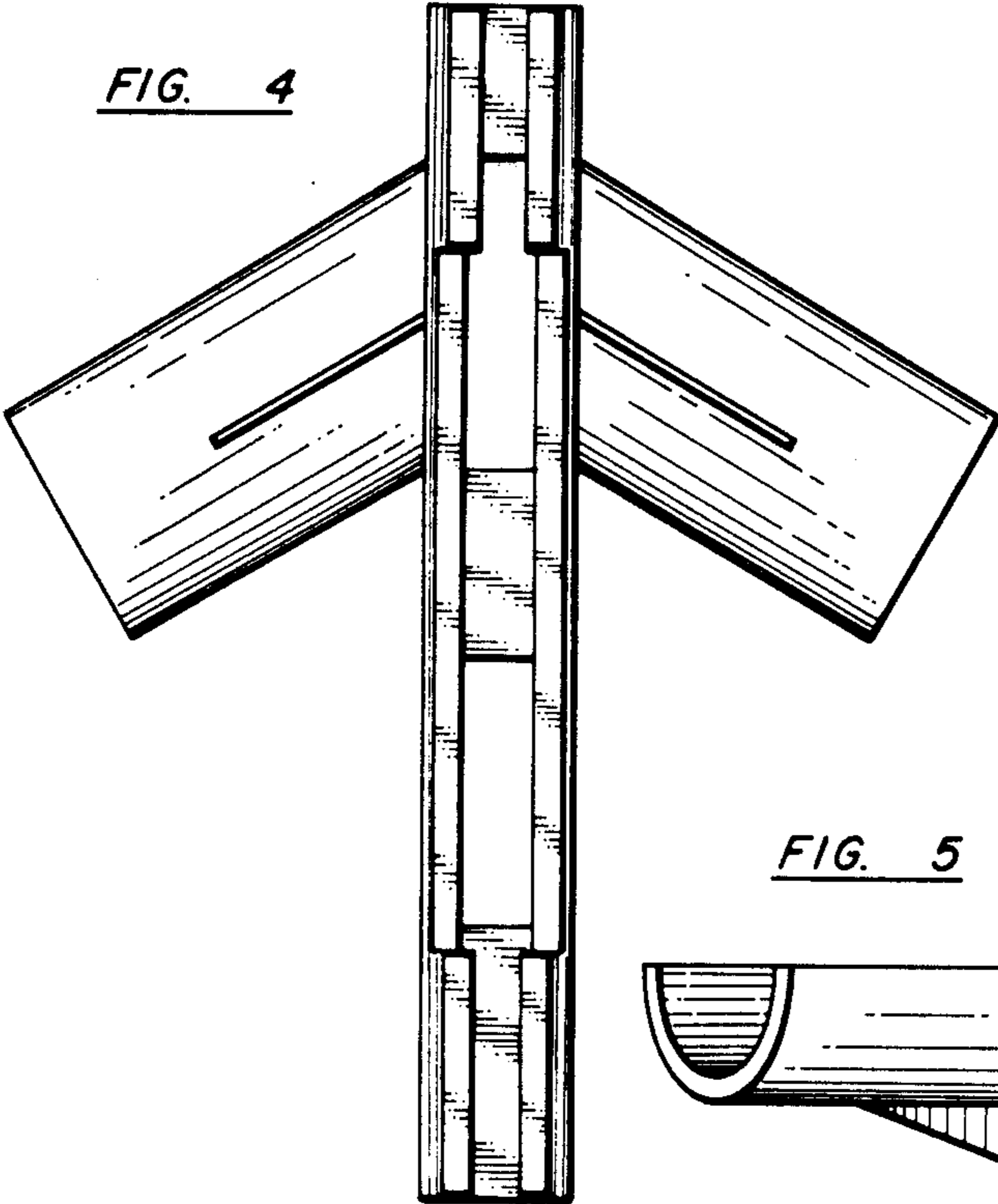


FIG. 5

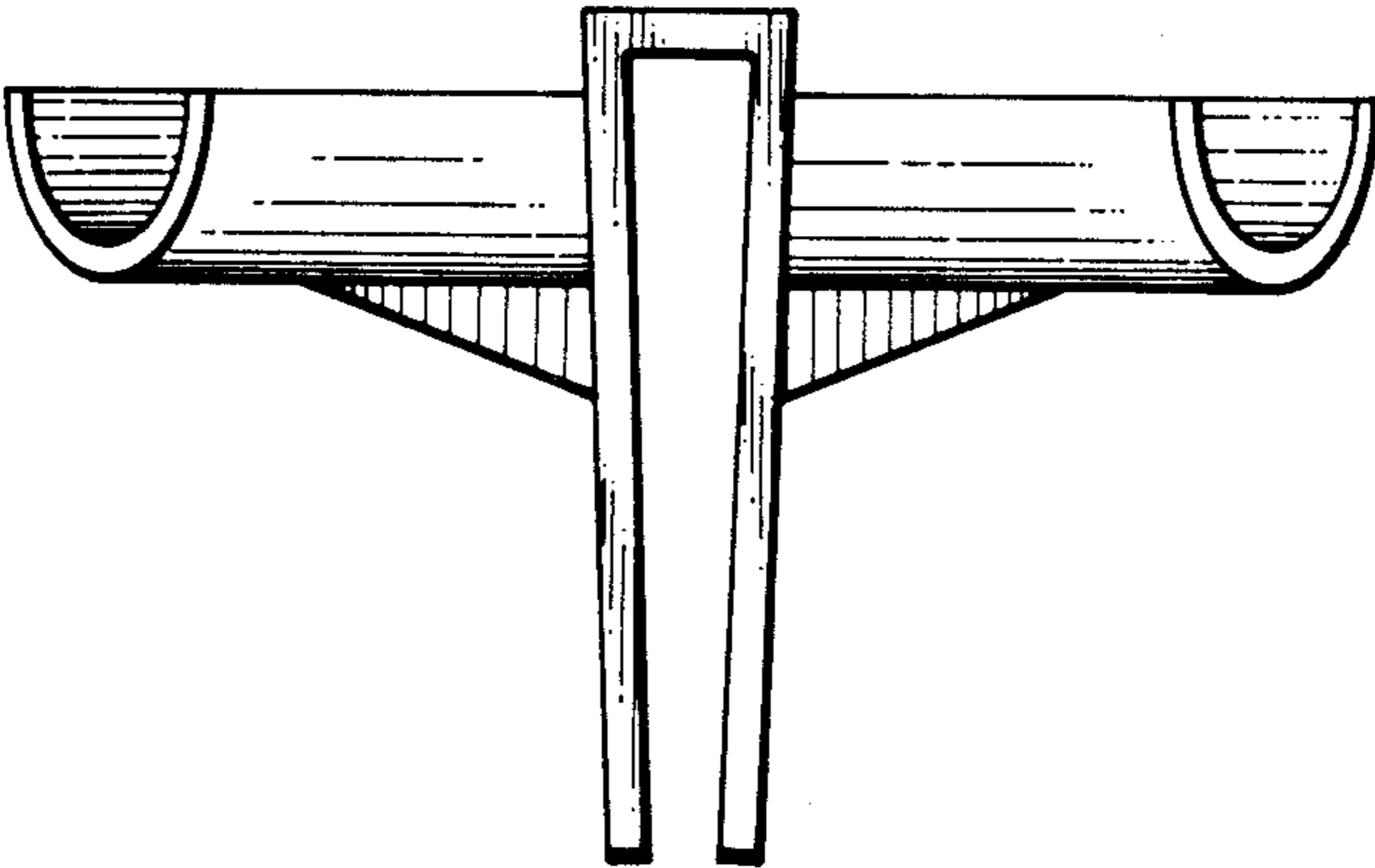


FIG. 6

