

[54] TOOL FOR CRIMPING A RIGID COUPLING ON A FLEXIBLE HOSE

[75] Inventor: Jerry W. Hamilton, DeSoto, Tex.

[73] Assignee: Automatic Tool Company, Inc., Ferris, Tex.

[**] Term: 14 Years

[21] Appl. No.: 883,003

[22] Filed: Mar. 3, 1978

[51] Int. Cl. D8-05

[52] U.S. Cl. D8/51

[58] Field of Search D8/51; 29/237, 516; 72/410, 454, 470, 471

[56] References Cited

U.S. PATENT DOCUMENTS

2,903,929 9/1959 McVey 72/454
3,266,287 8/1966 Gill 72/470

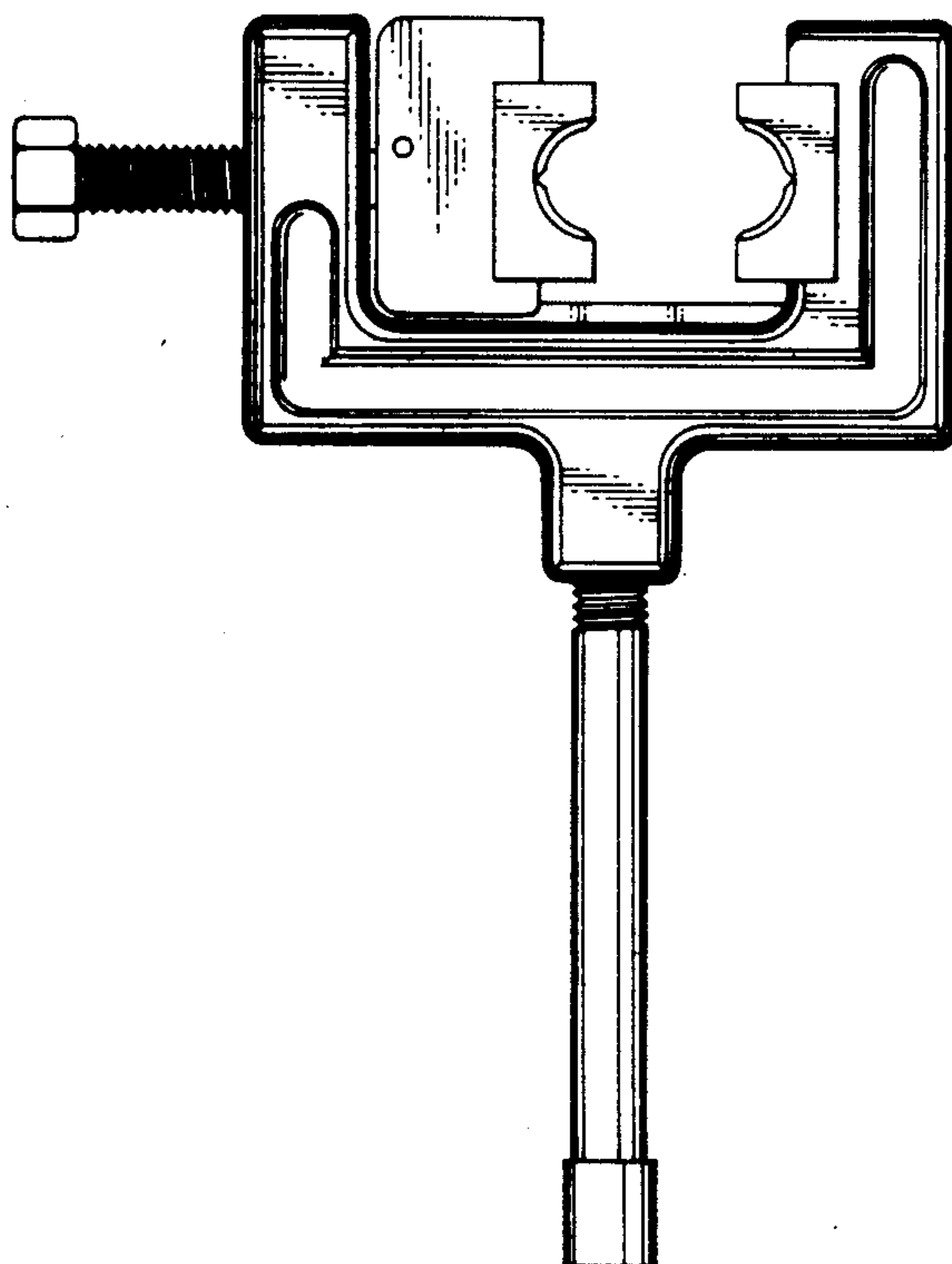
Primary Examiner—W. Stallard
Attorney, Agent, or Firm—Howard E. Moore

[57] CLAIM

The ornamental design for a tool for crimping a rigid coupling on a flexible hose, as shown and described.

DESCRIPTION

FIG. 1 is a front elevational view of a tool for crimping a rigid coupling on a flexible hose showing my new design, the undisclosed rear elevational view being a mirror image of the front elevational view; FIG. 2 is a top plan view thereof; FIG. 3 is a left side elevational view thereof; FIG. 4 is a right side elevational view thereof; and FIG. 5 is a bottom plan view thereof.



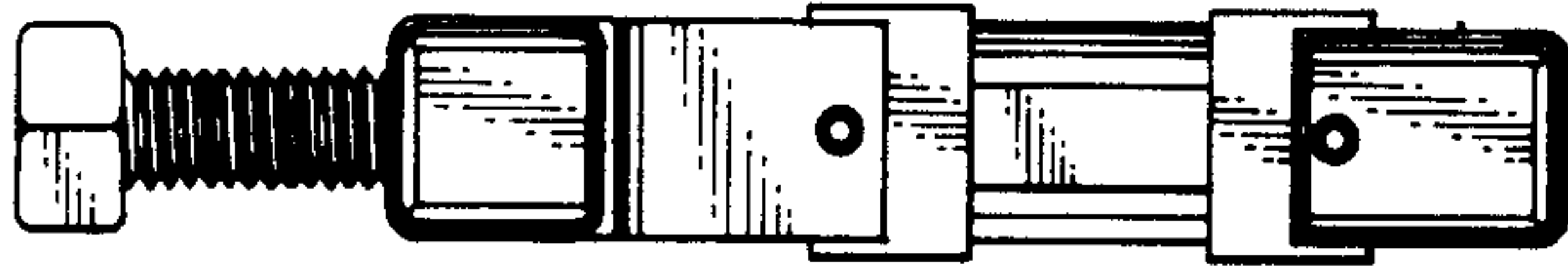


Fig. 2

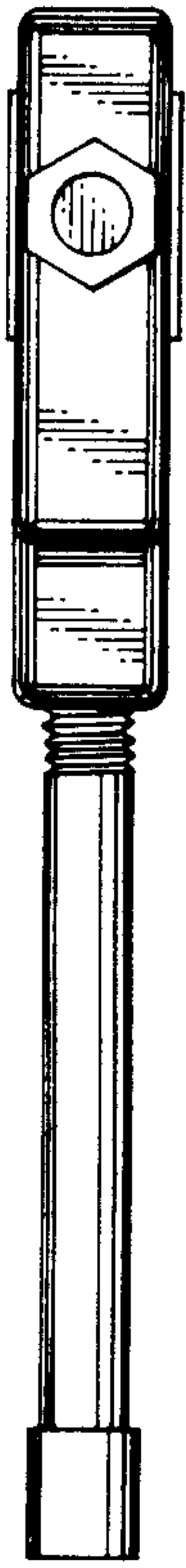


Fig. 3

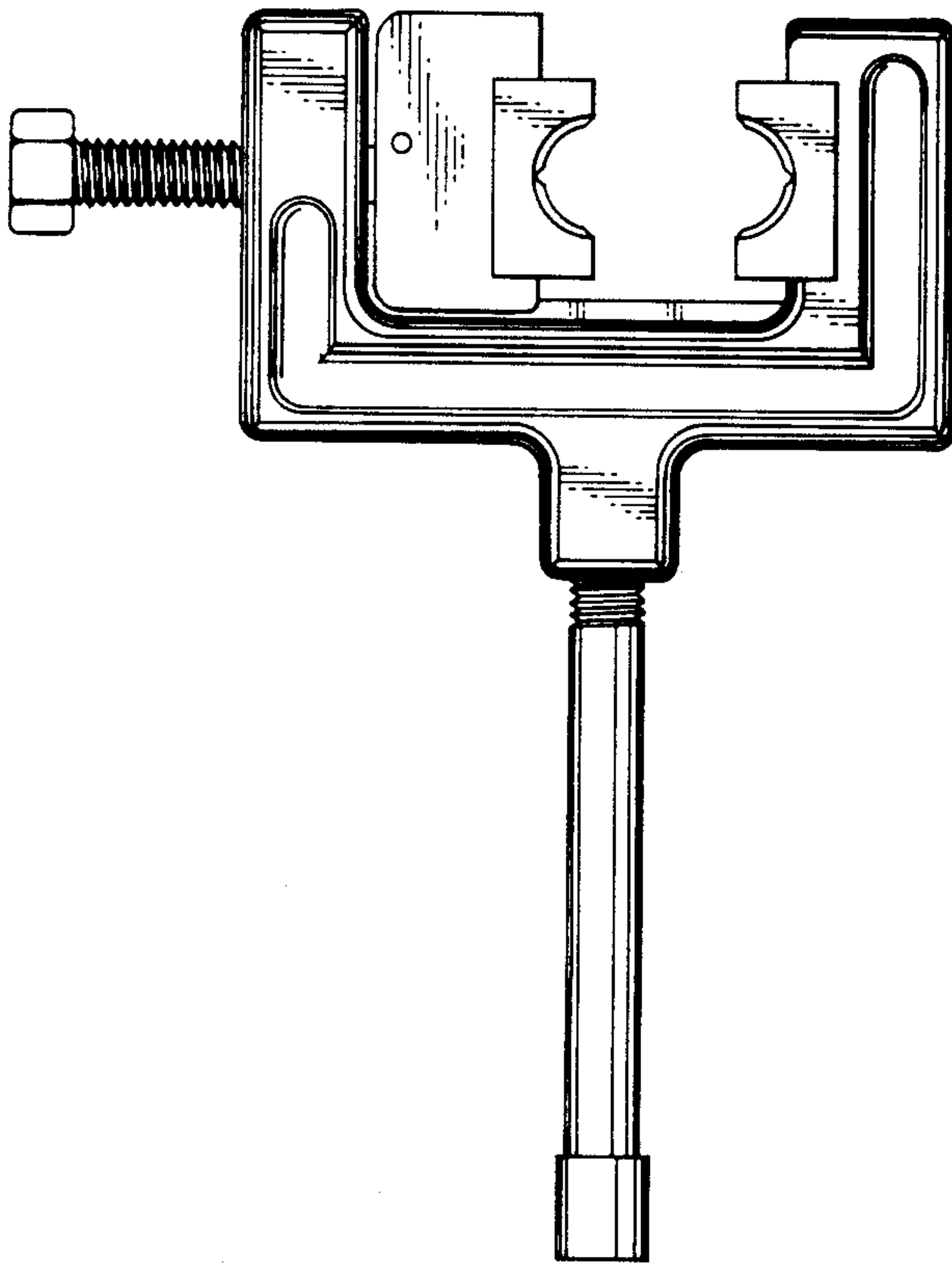


Fig. 1

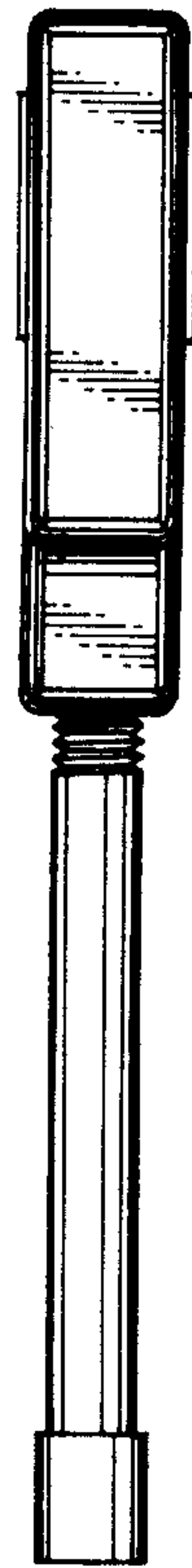


Fig. 4



Fig. 5