

[54] HAMPER

[75] Inventors: Stephen A. Bacskay, Bloomingtondale; Sidney Messeri, West Orange, both of N.J.

[73] Assignees: Outlook in Plastics Corporation, Inc.; Tingué, Brown & Co.

[**] Term: 14 Years

[21] Appl. No.: 887,592

[22] Filed: Mar. 17, 1978

[51] Int. Cl. D7-07

[52] U.S. Cl. D7/163; D7/194; 220/1 T; 248/129; 280/47.26

[58] Field of Search D7/189-195, D7/163; D9/246; 220/1 T, 1 E, 334-338, 8, 253, 408, 410; 211/83, 84; 232/43.2, 1 R, 1 E; 222/553, 548, 482; 280/79.2, 47.24, 47.26; 248/98, 129, 147

[56] References Cited

U.S. PATENT DOCUMENTS

1,007,425 10/1911 Bowditch 222/553 X
2,984,500 5/1961 Nolen 280/47.26

FOREIGN PATENT DOCUMENTS

282464 2/1931 Italy 220/334
1305275 1/1973 United Kingdom 220/253

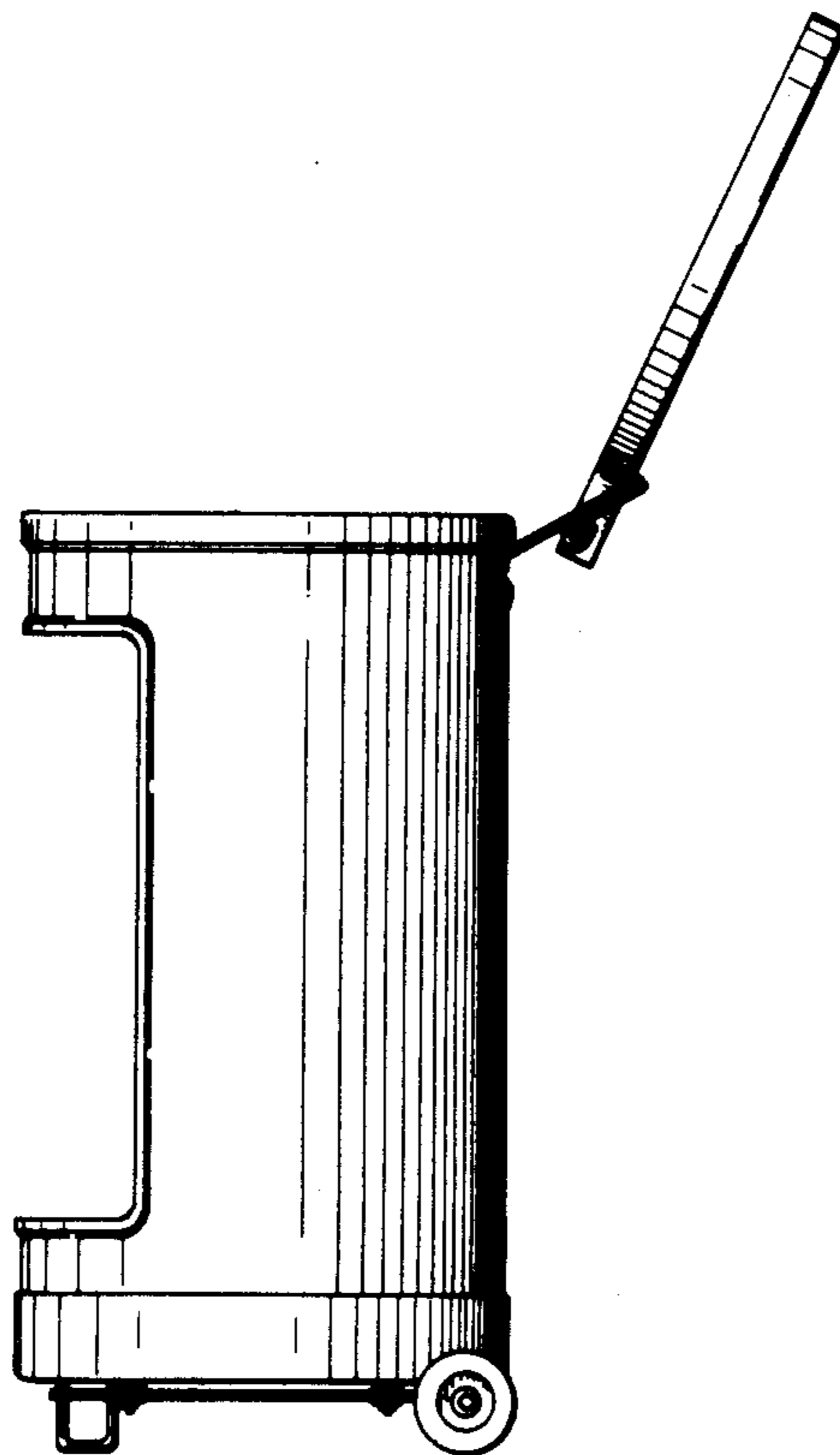
Primary Examiner—Peter Feldman
Attorney, Agent, or Firm—Cyrus D. Samuelson

[57] CLAIM

The ornamental design of a hamper, substantially as shown and described.

DESCRIPTION

FIG. 1 is a top plan view of a hamper showing our new design;
FIG. 2 is a bottom plan view thereof;
FIG. 3 is a left side elevational view thereof;
FIG. 4 is a right side elevational view thereof;
FIG. 5 is a front elevational view thereof;
FIG. 6 is a rear elevational view thereof;
FIG. 7 is a right side elevational view thereof with the cover and the access door both open;
FIG. 8 is a left side elevational view of FIG. 7;
FIG. 9 is a top plan view of FIG. 7;
FIG. 10 is a bottom plan view of FIG. 7;
FIG. 11 is a front elevational view of FIG. 7; and
FIG. 12 is a rear elevational view of FIG. 7.



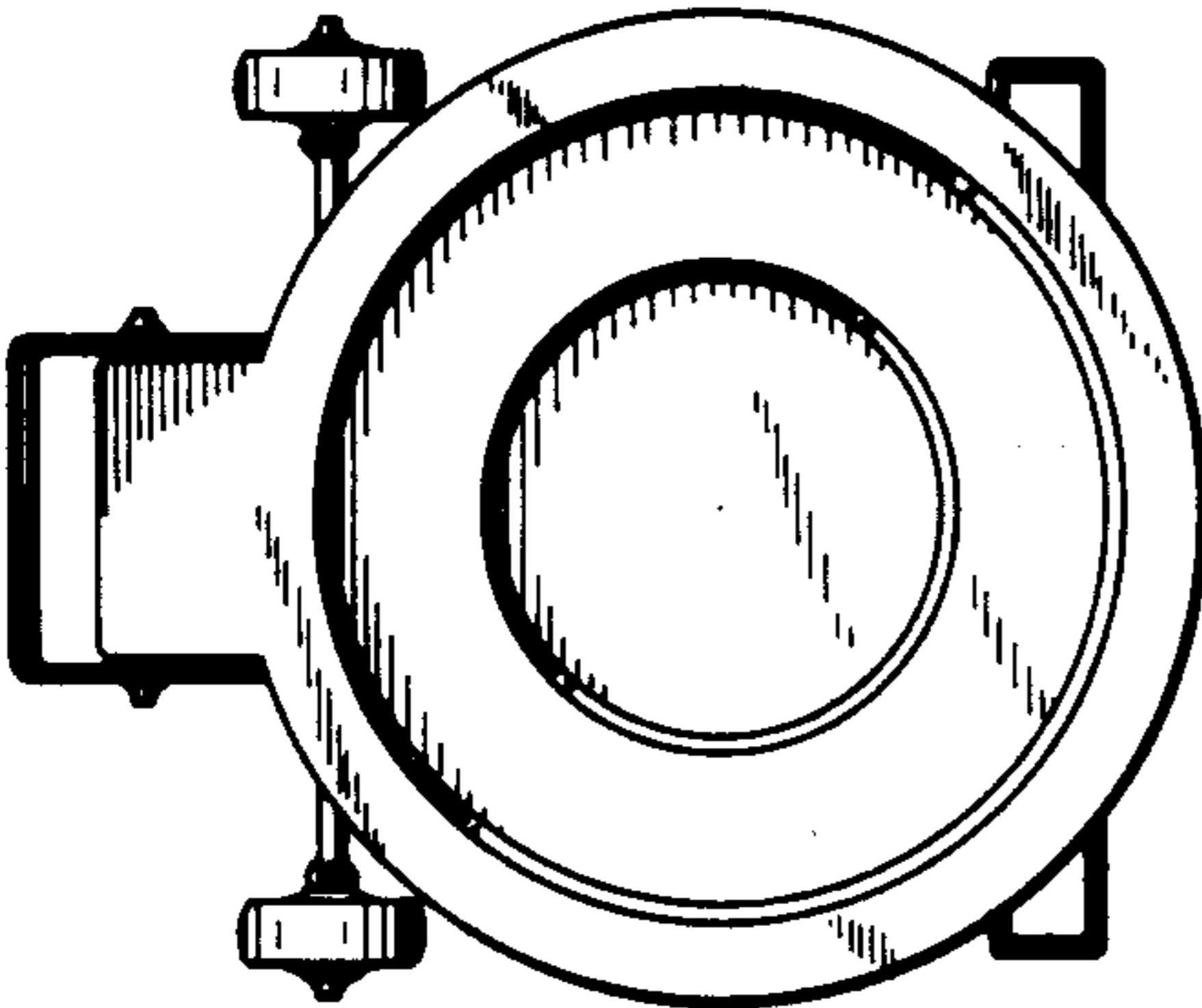


FIG. 1

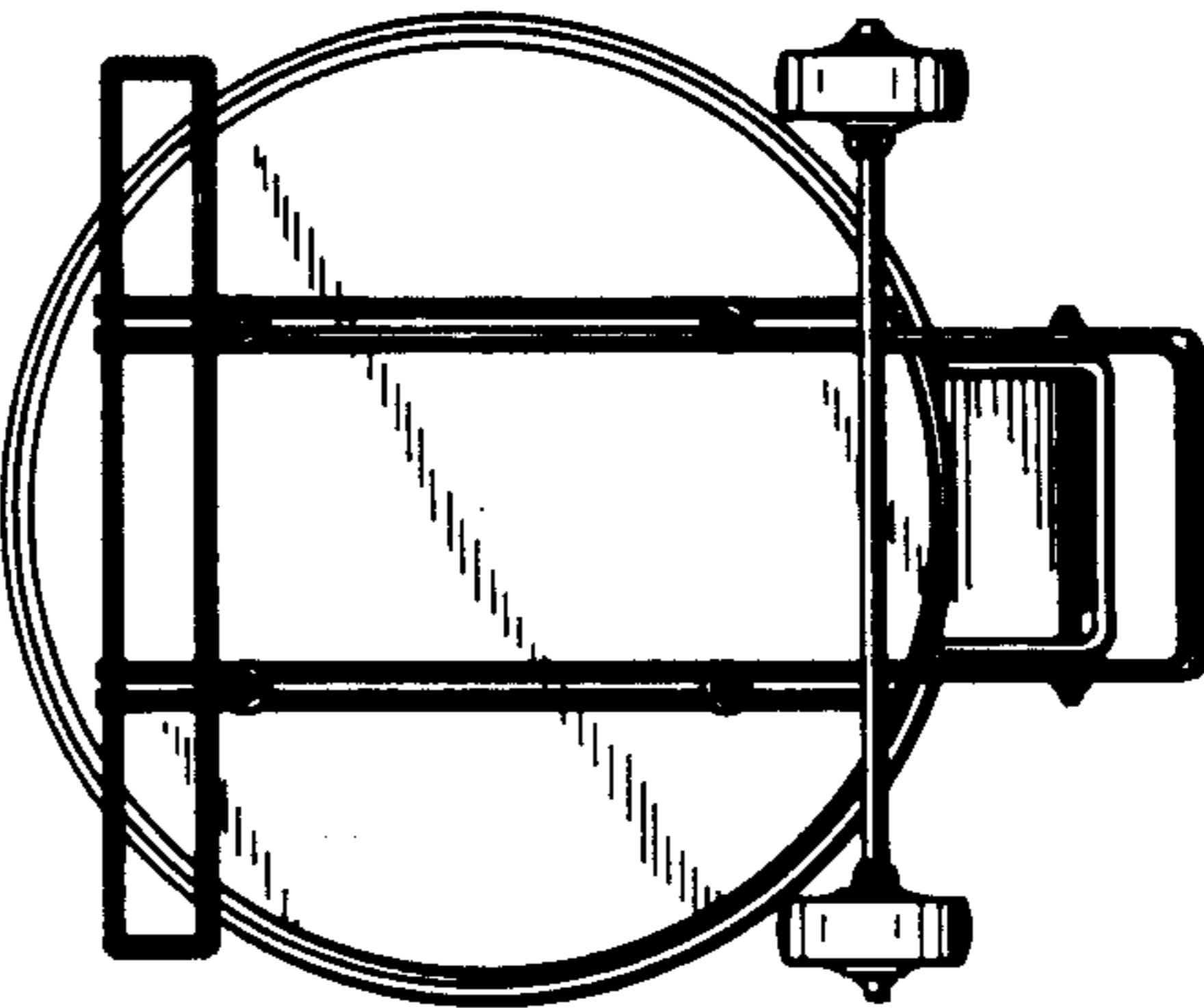


FIG. 2

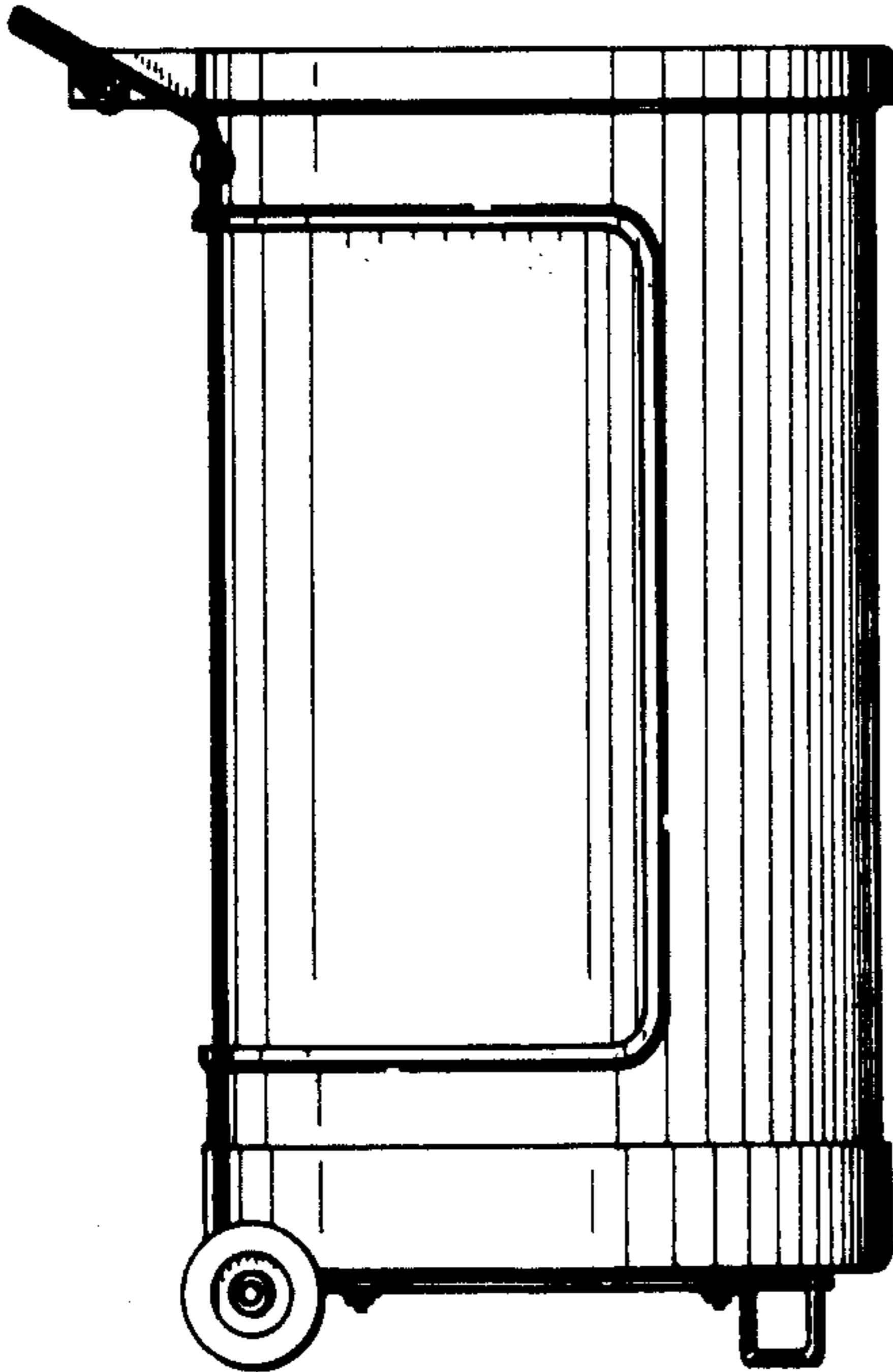


FIG. 3

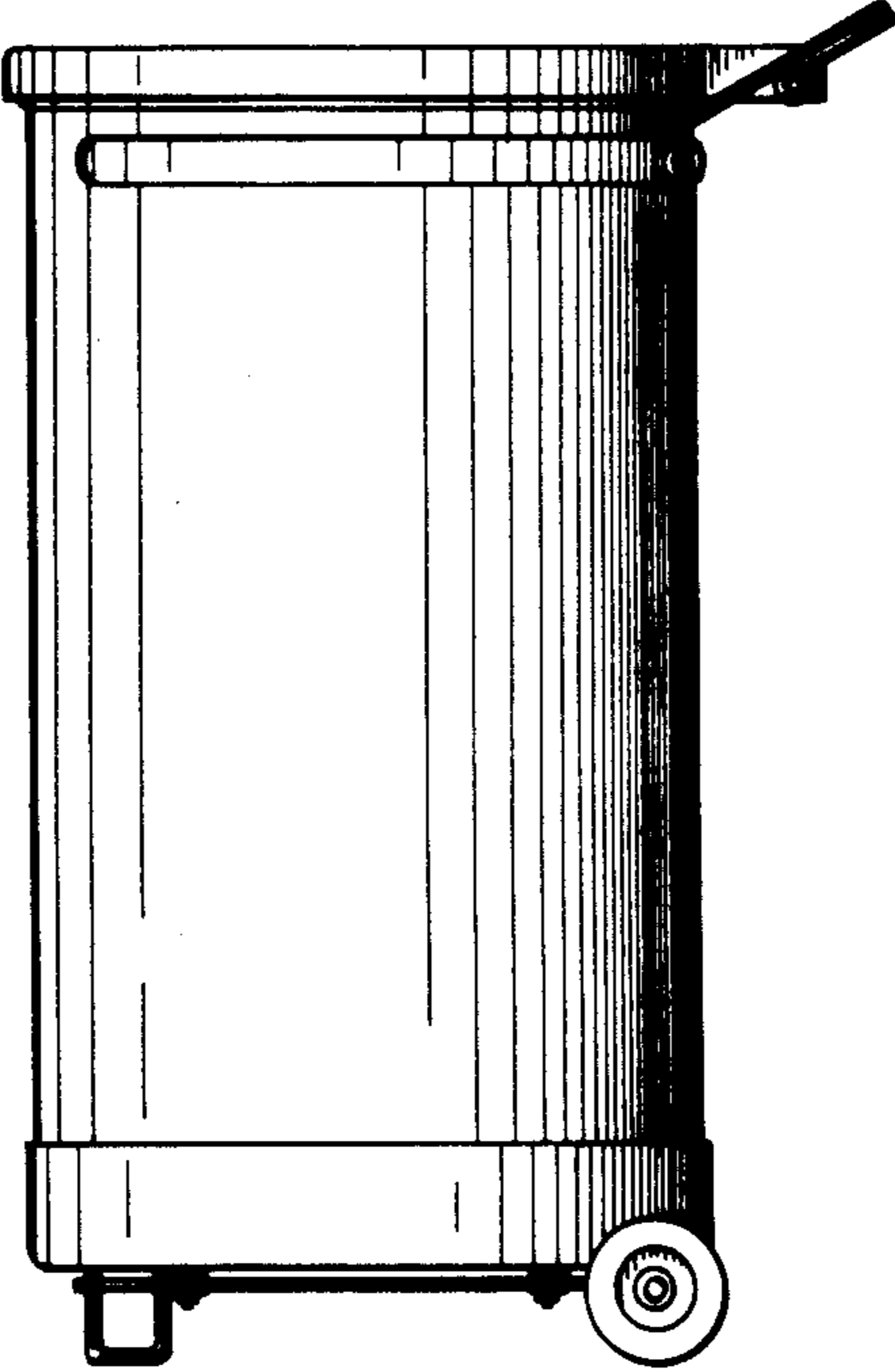


FIG. 4

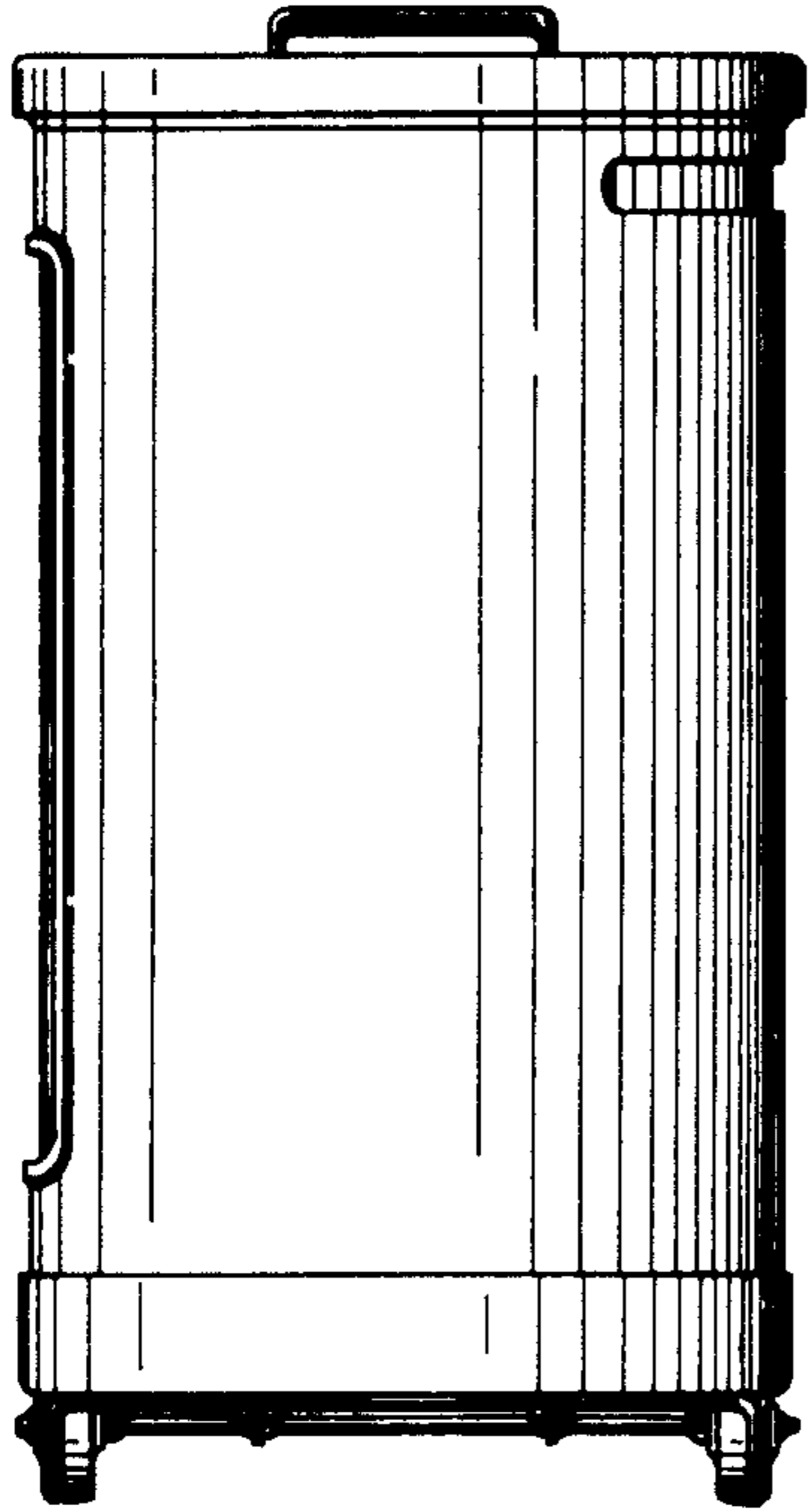


FIG. 5

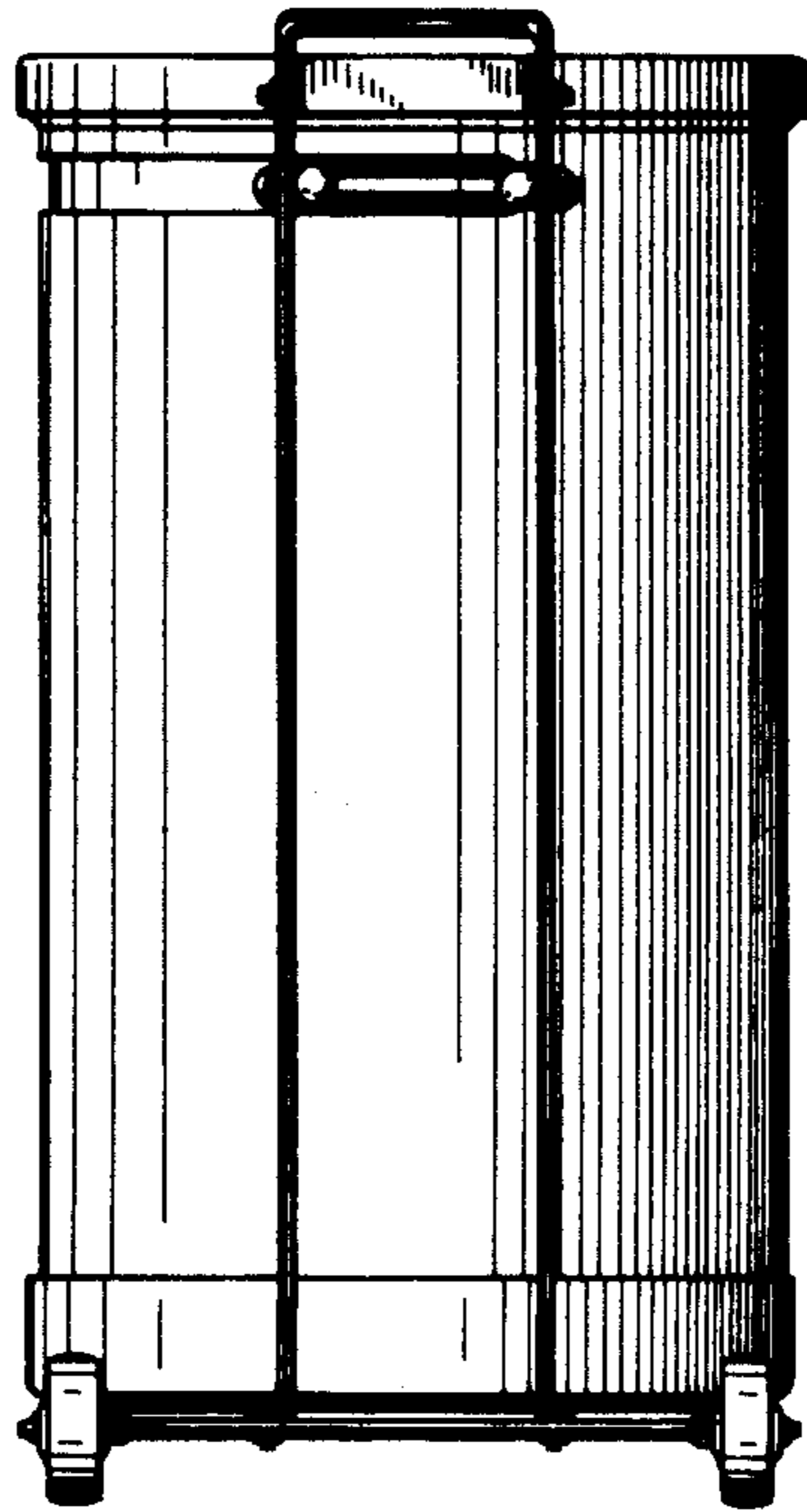


FIG. 6

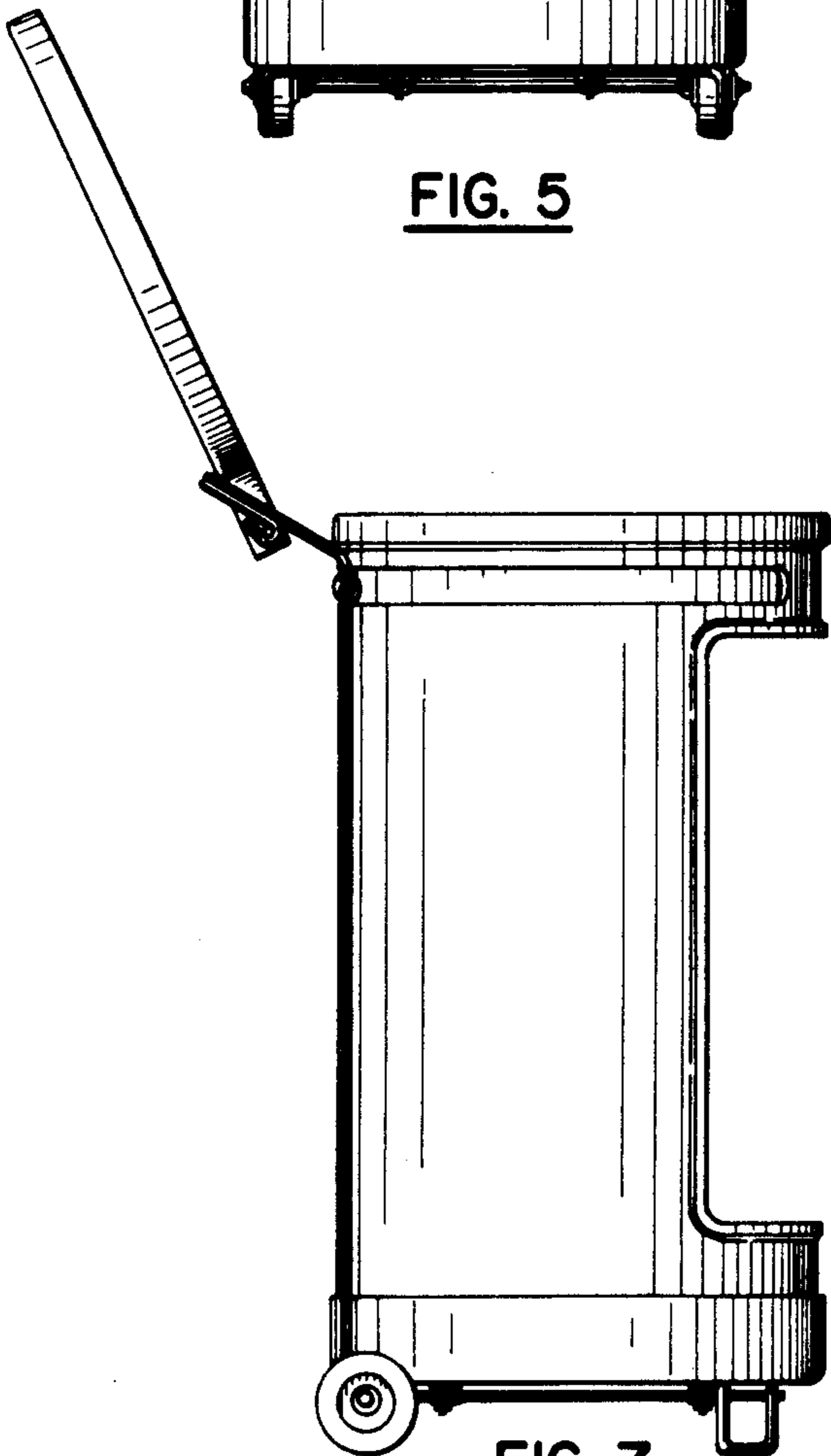


FIG. 7

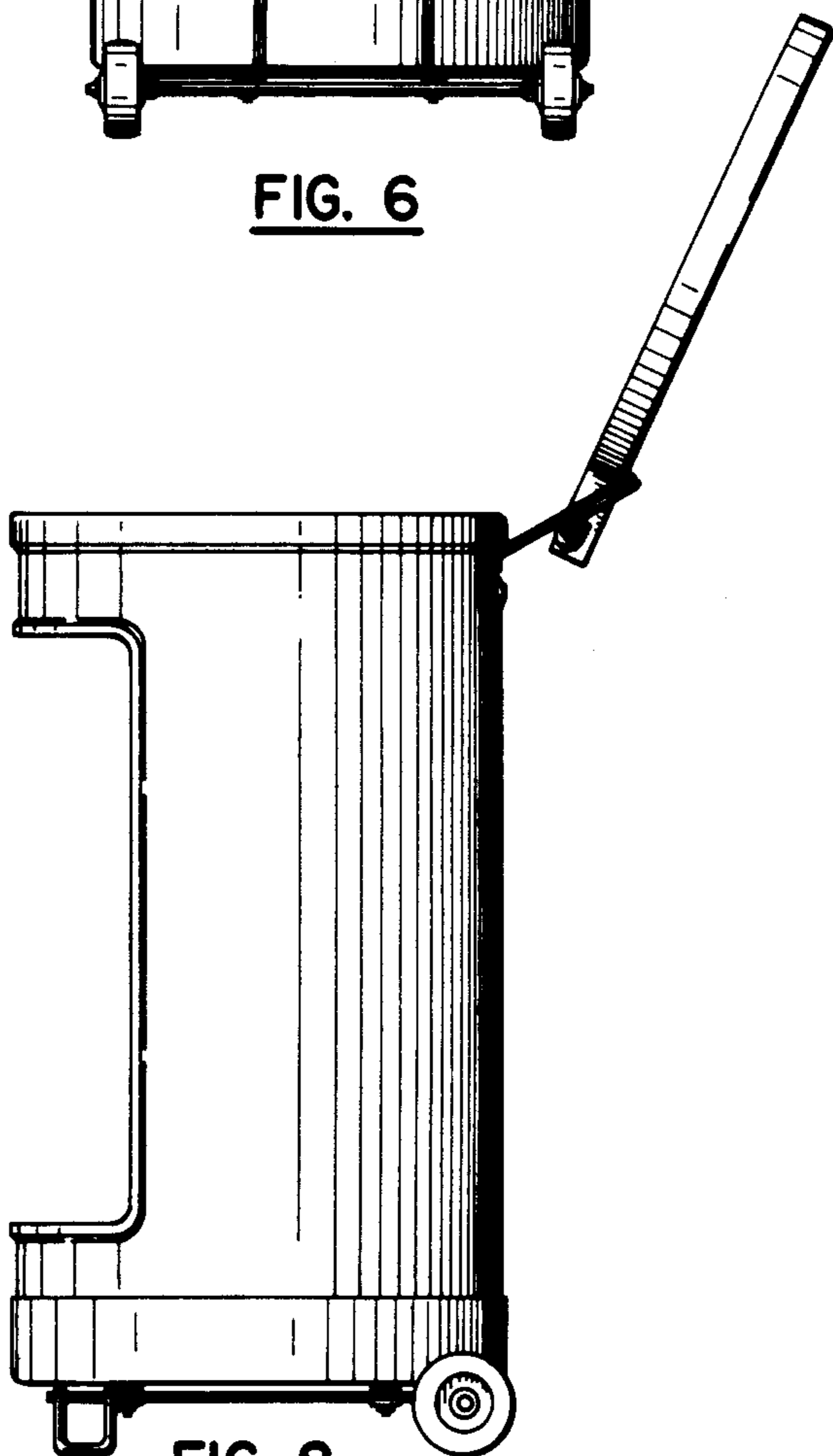


FIG. 8

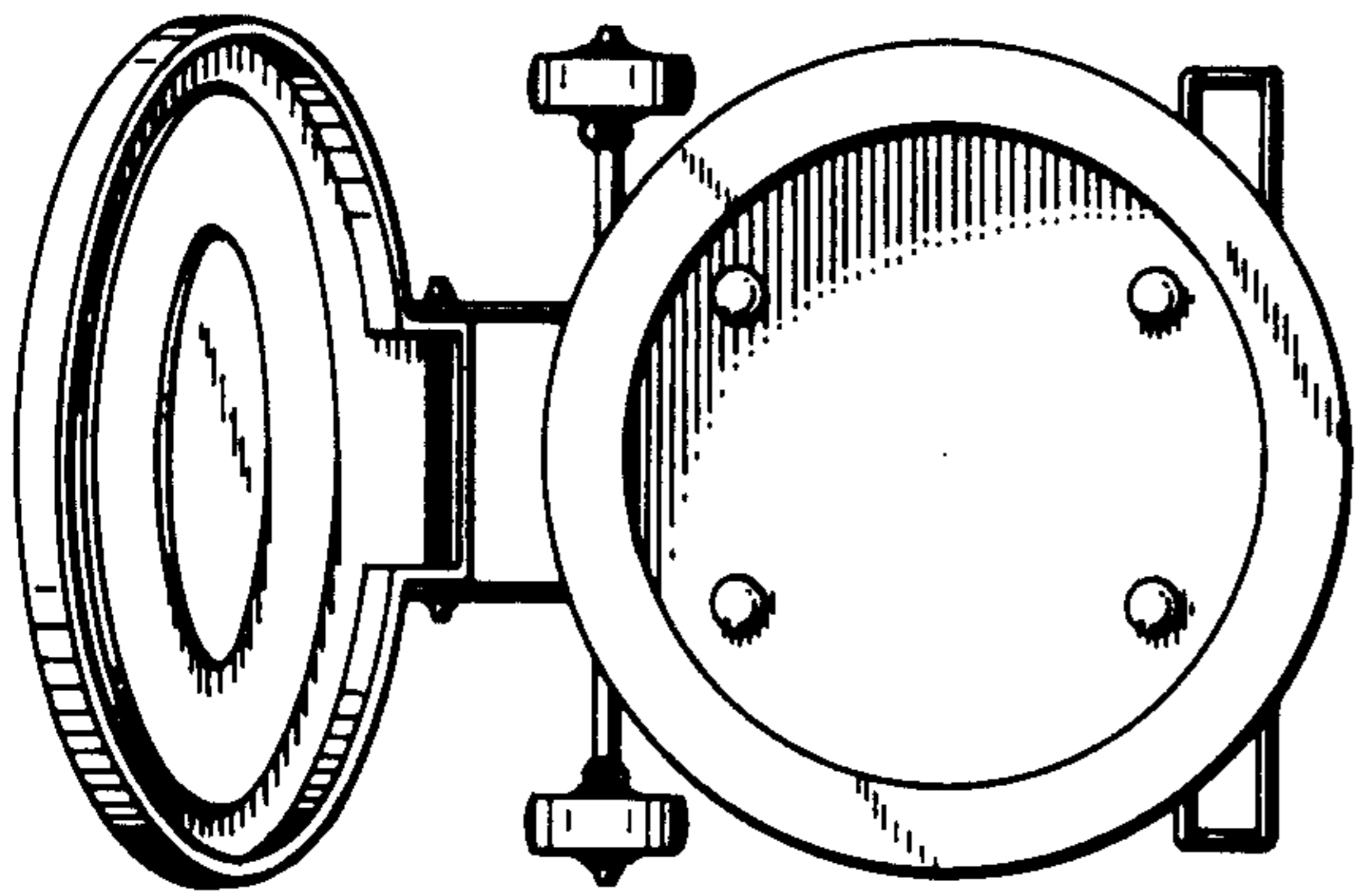


FIG. 9

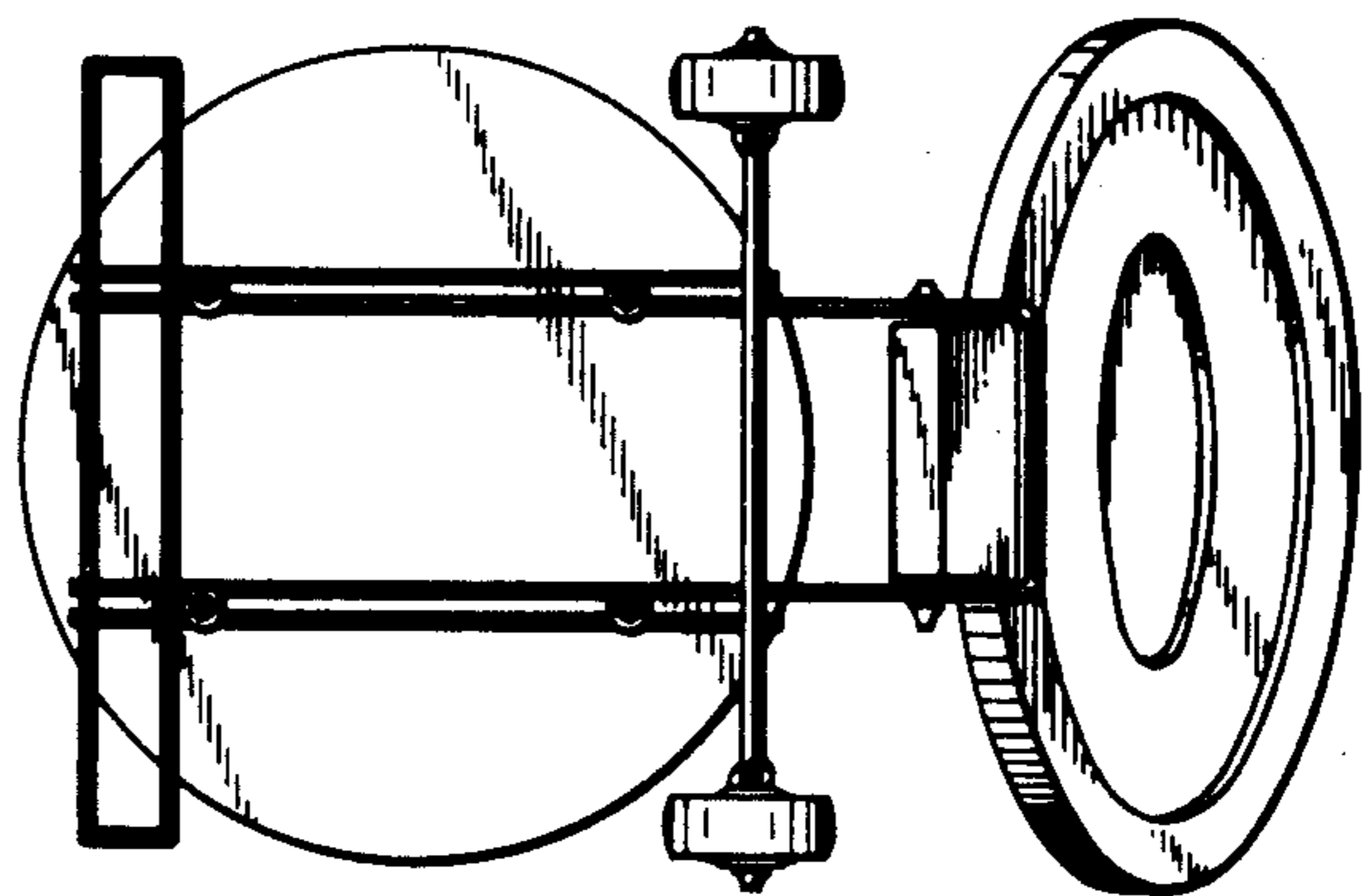


FIG. 10

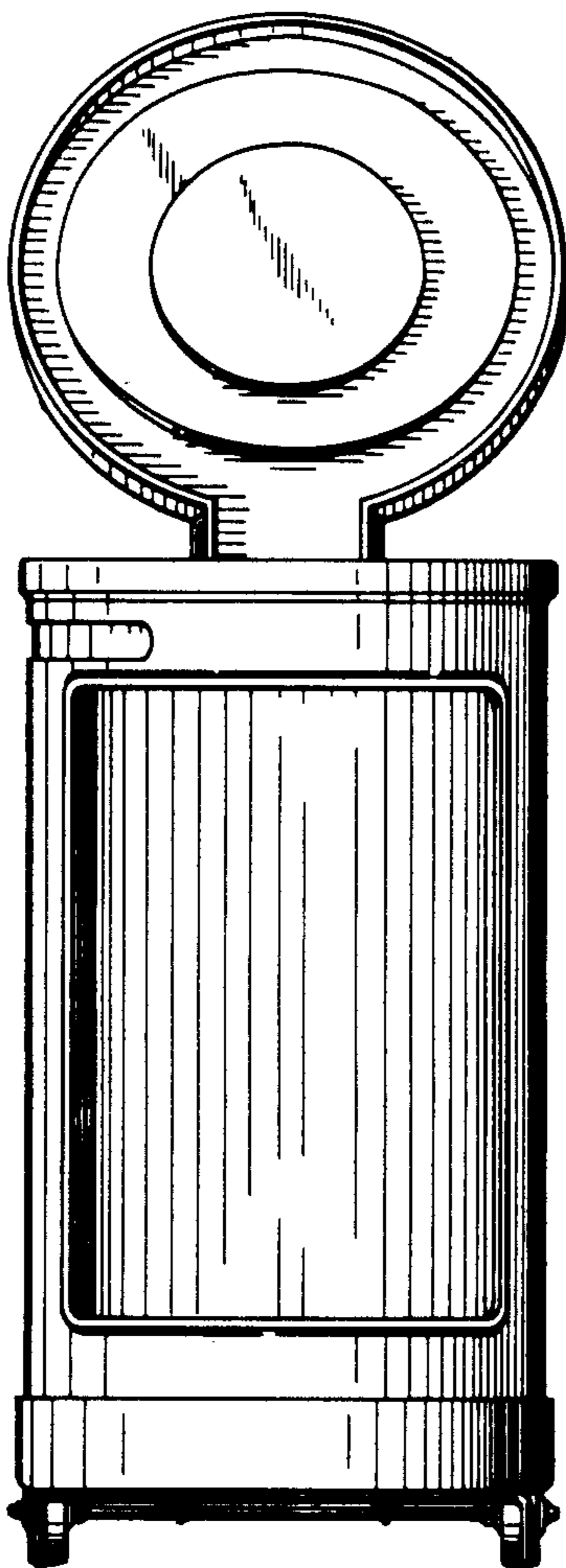


FIG. 11

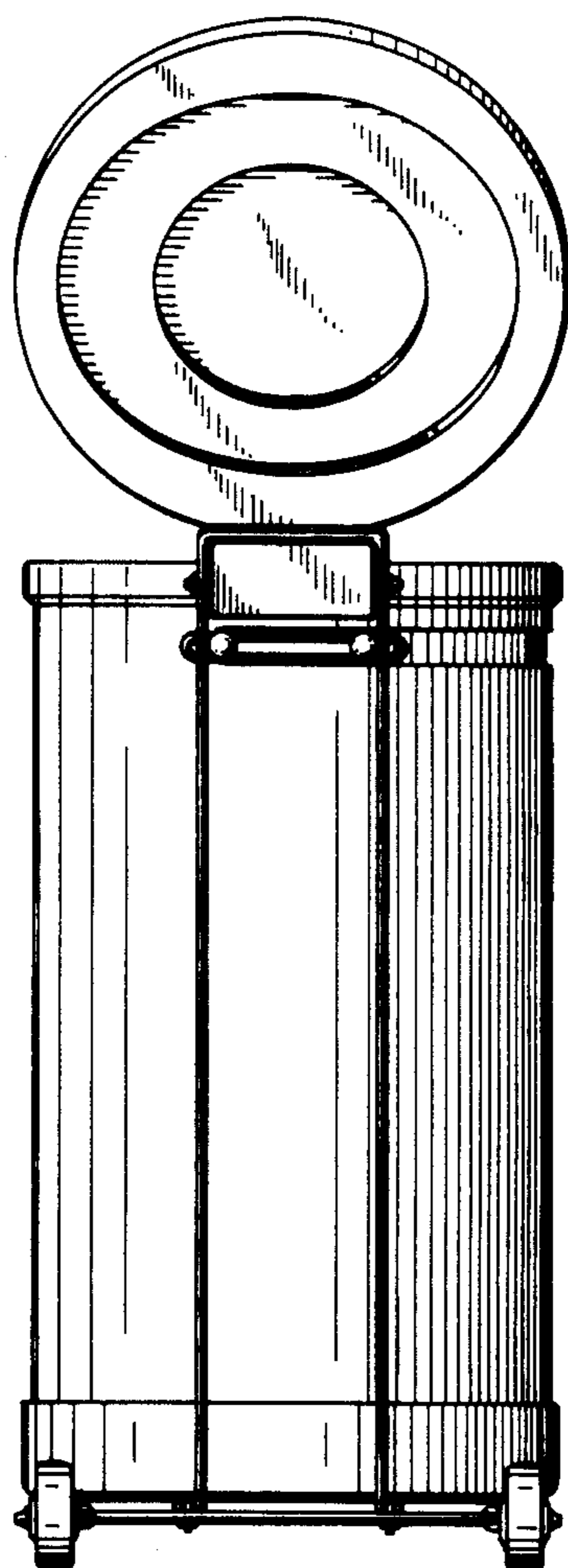


FIG. 12