

[54] ELECTRIC SKILLET

[75] Inventors: Harold W. Rice, Hartsburg; Rex L. Notbohm, Columbia, both of Mo.

[73] Assignee: McGraw-Edison Company, Elgin, Ill.

[**] Term: 14 Years

[21] Appl. No.: 909,718

[22] Filed: May 25, 1978

[51] Int. Cl. D07-02

[52] U.S. Cl. D7/94; D7/95

[58] Field of Search D7/85, 86, 87, 90, 94, D7/95, 96, 97

[56] References Cited
U.S. PATENT DOCUMENTS

- D. 174,431 4/1955 Jepson et al. D7/94
- D. 178,264 7/1956 Rossall D7/94

- D. 181,246 10/1957 Boldt D7/94
- D. 181,447 11/1957 Theisen D7/94
- D. 190,154 4/1961 Morphy D7/94
- D. 253,510 11/1979 Bardin D7/94
- 3,030,487 4/1962 Parr D7/94 X
- 3,245,337 4/1966 White et al. D7/95 X

Primary Examiner—Winifred E. Herrmann
Attorney, Agent, or Firm—Jon Carl Gealow

[57] CLAIM

The ornamental design for an electric skillet, substantially as shown and described.

DESCRIPTION

FIG. 1 is a perspective view of an electric skillet showing the top and one side of our new design; FIG. 2 is a bottom plan view thereof; FIG. 3 is a front elevational view thereof; FIG. 4 is a side elevational view thereof; and FIG. 5 is an elevational view of the side opposite that shown in FIG. 4.

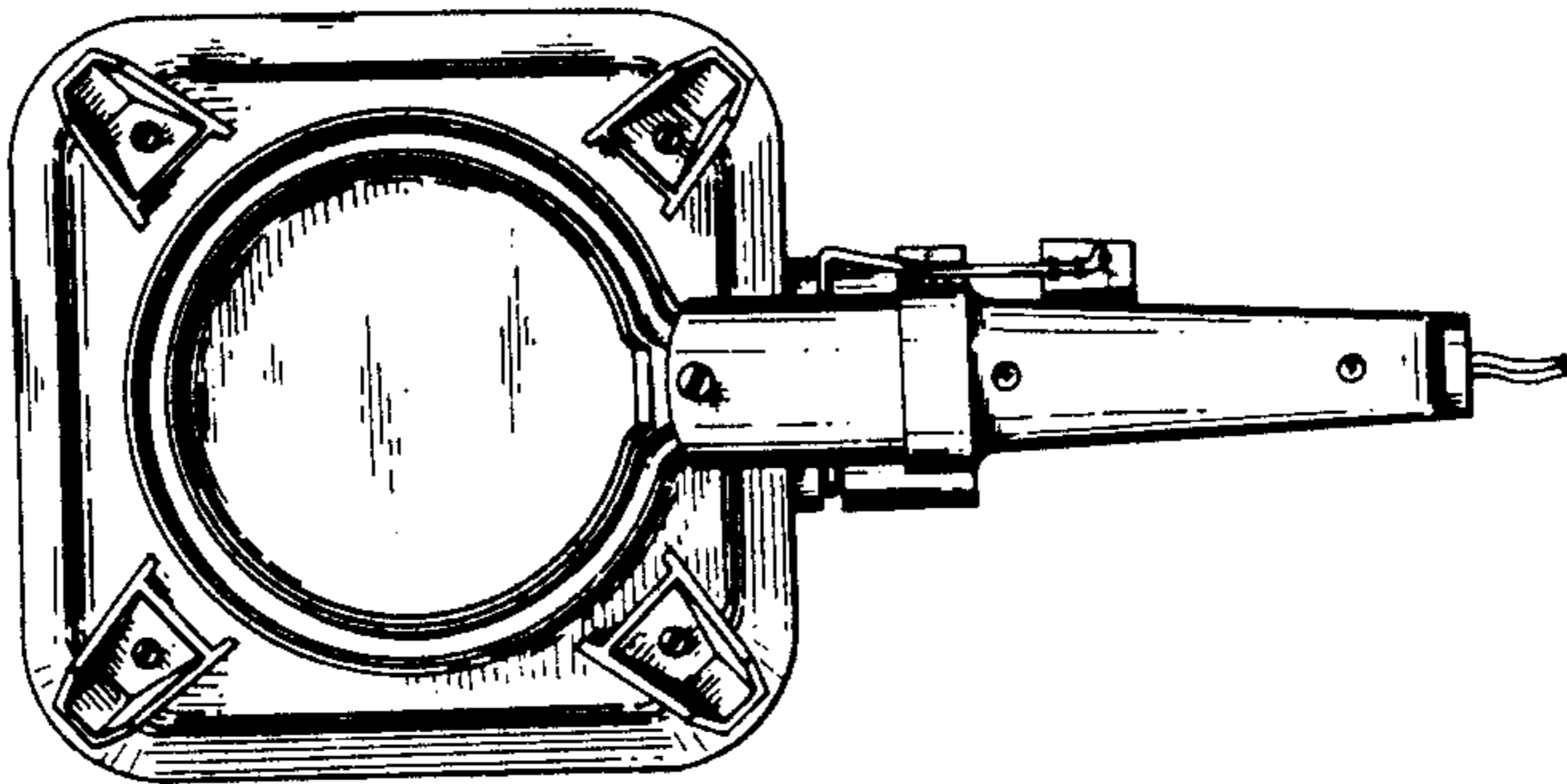
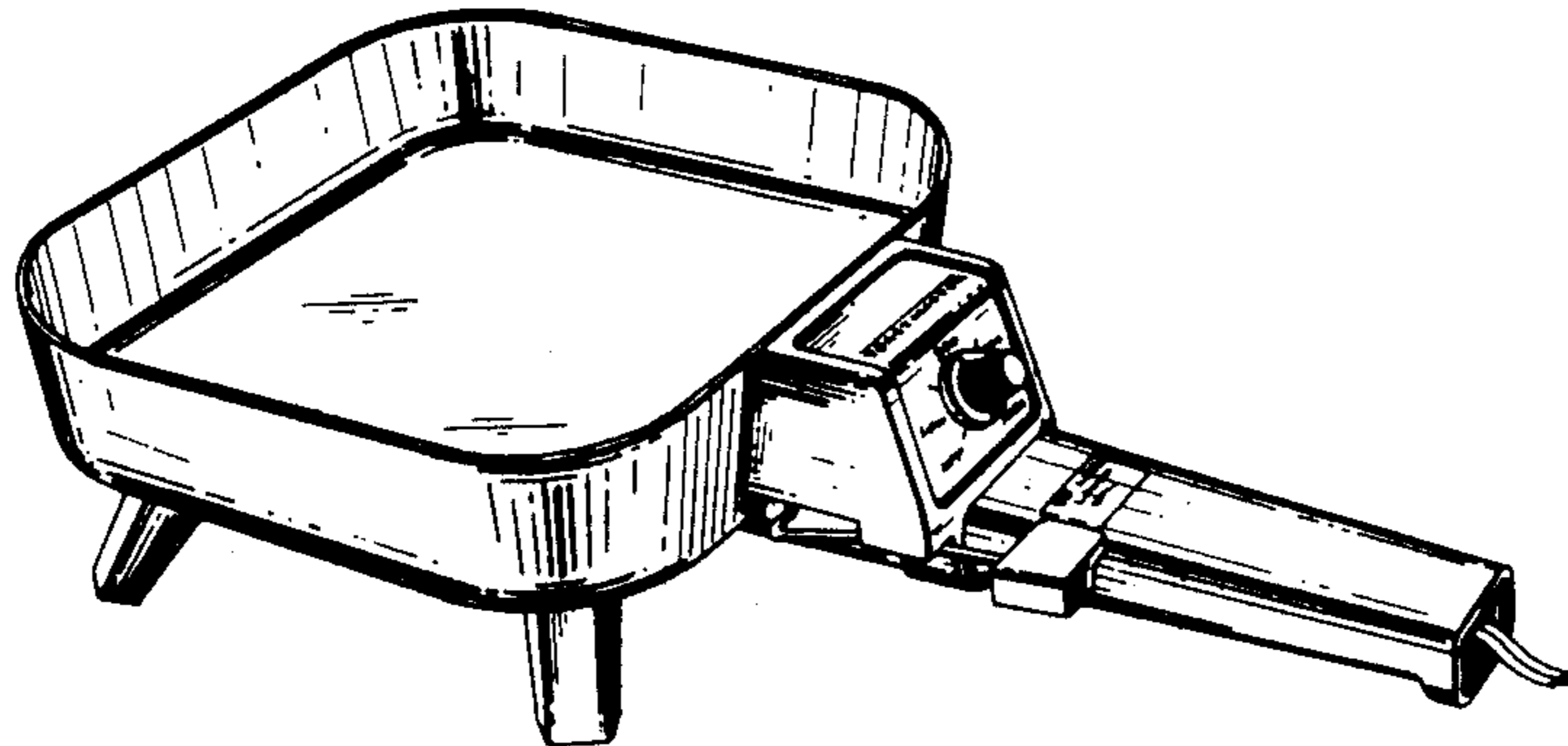


FIG. 1

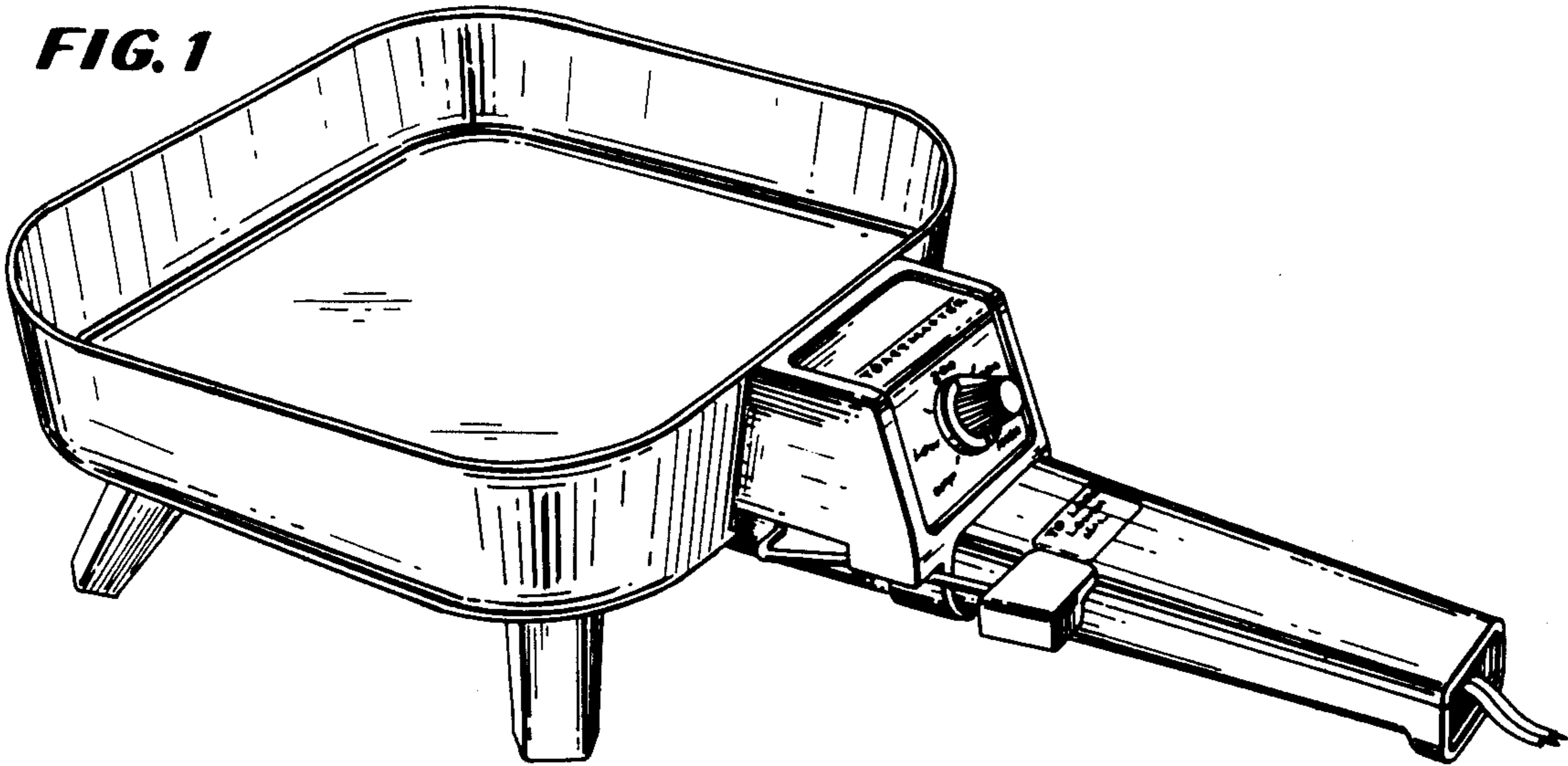


FIG. 2

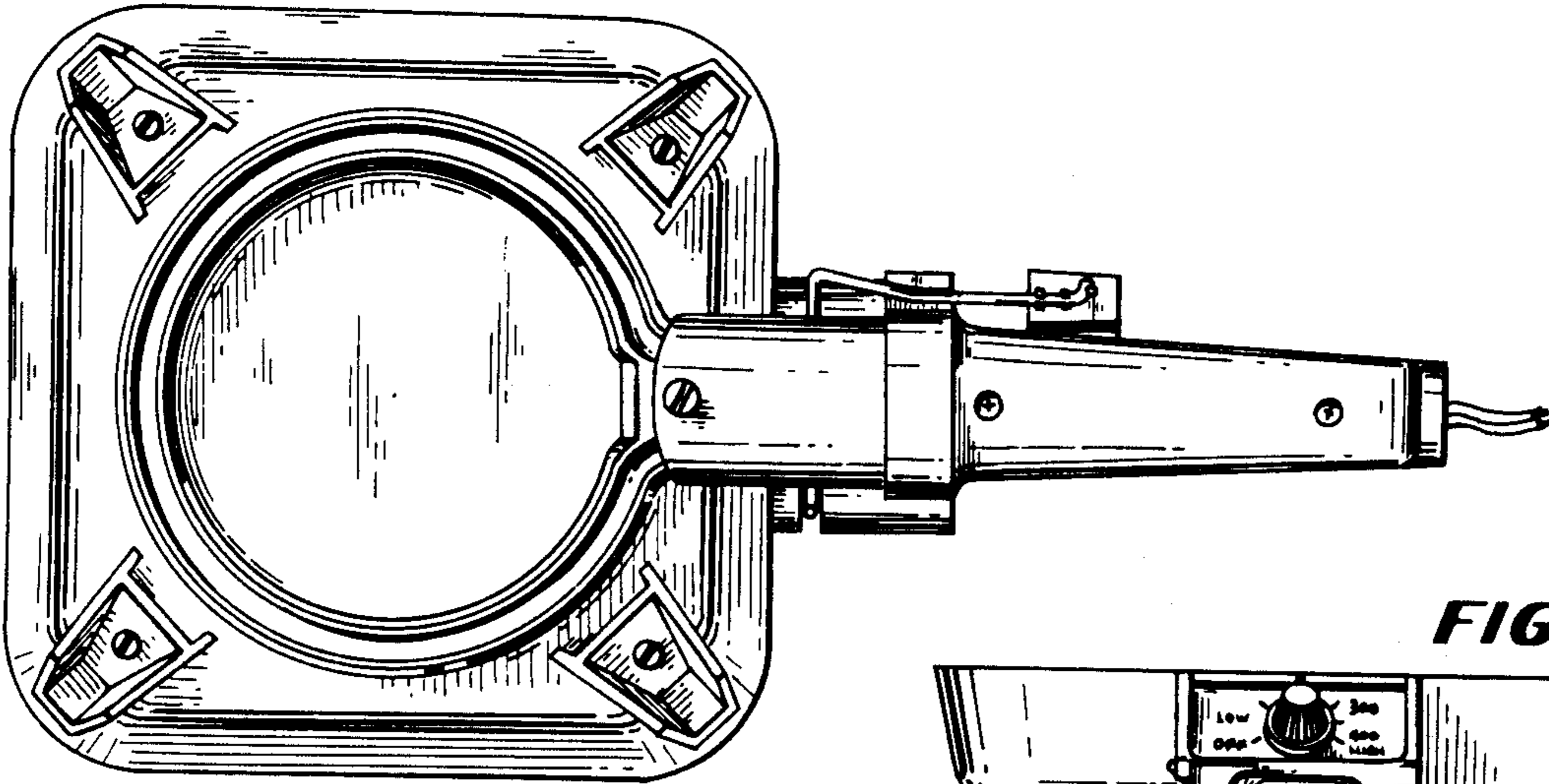


FIG. 3

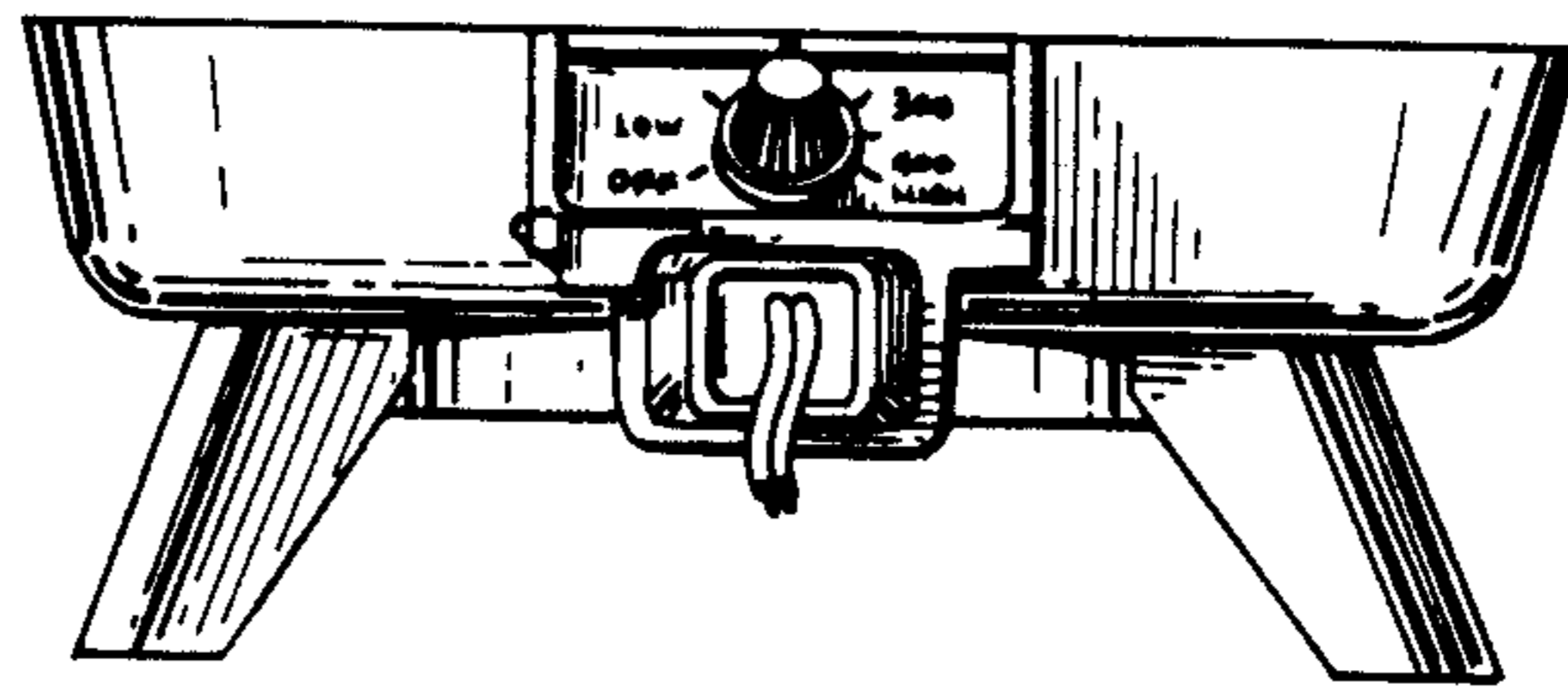


FIG. 4

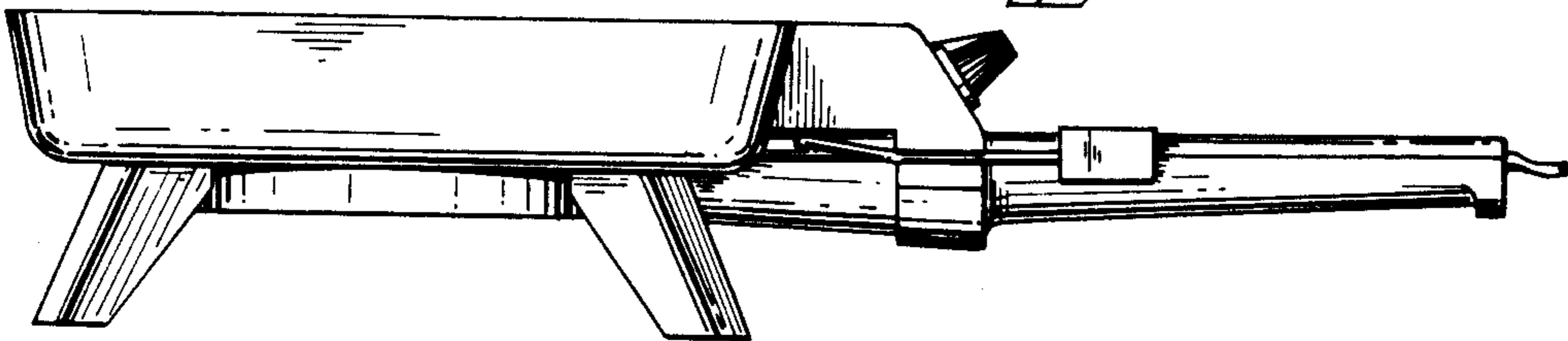


FIG. 5

