

[54] CARRIER FOR WIRE GARMENT HANGERS

3,633,801	1/1972	Bonasso	224/45 P
3,804,310	4/1974	Wheeler	224/45 T
4,153,189	5/1979	Hughes	224/45 T

[76] Inventor: Raymond R. Wheeler, 39, Nixon St., Hamilton, New Zealand

[**] Term: 14 Years

[21] Appl. No.: 905,247

[22] Filed: May 12, 1978

[51] Int. Cl. D3-99

[52] U.S. Cl. D3/30; D8/307

[58] Field of Search D8/300, 307, 306; D3/30; 224/45 D, 45 T, 45 R

Primary Examiner—Joel Stearman
Assistant Examiner—George P. Word
Attorney, Agent, or Firm—William Anthony Drucker

[57] CLAIM

The ornamental design for a carrier for wire garment hangers, as shown.

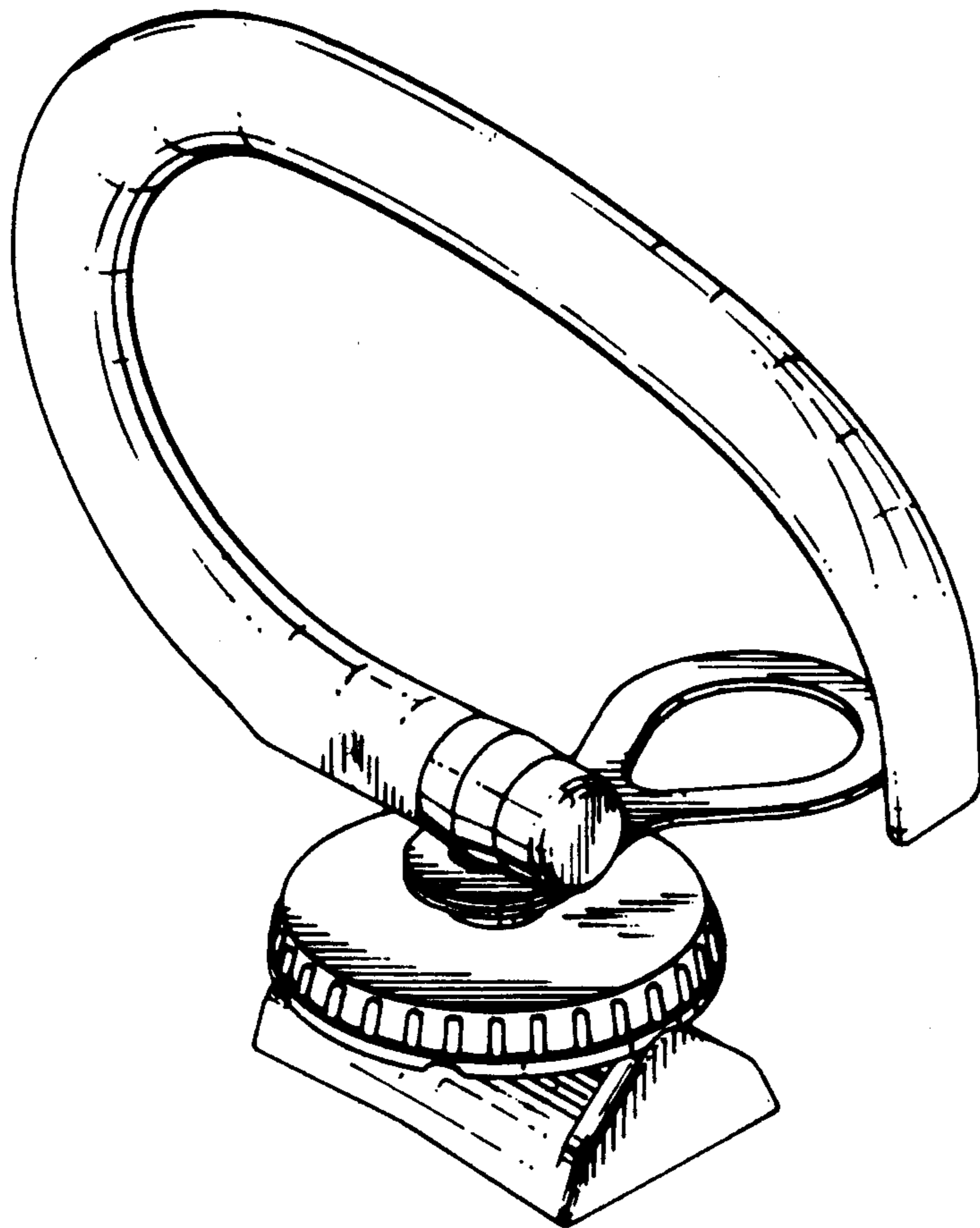
DESCRIPTION

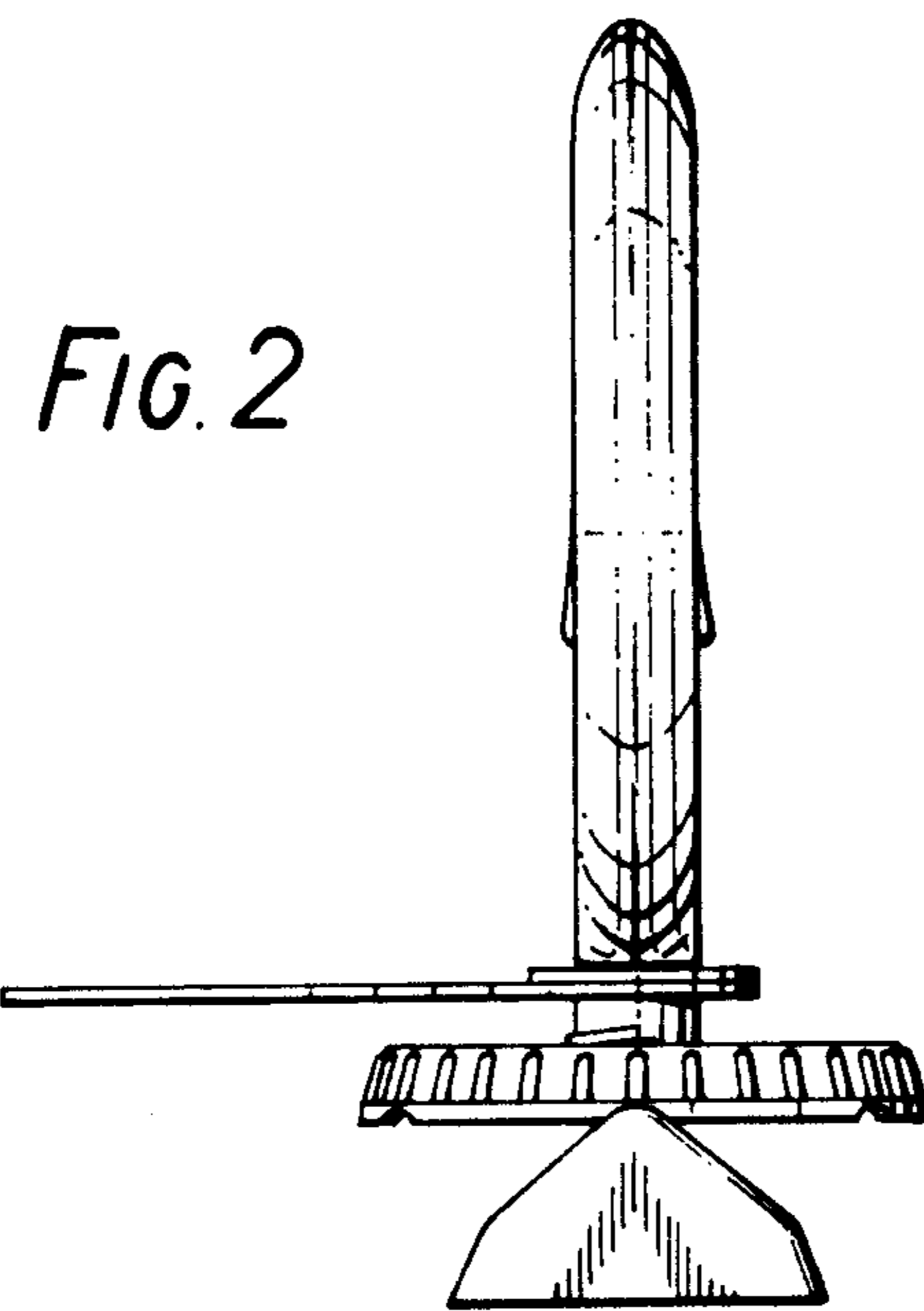
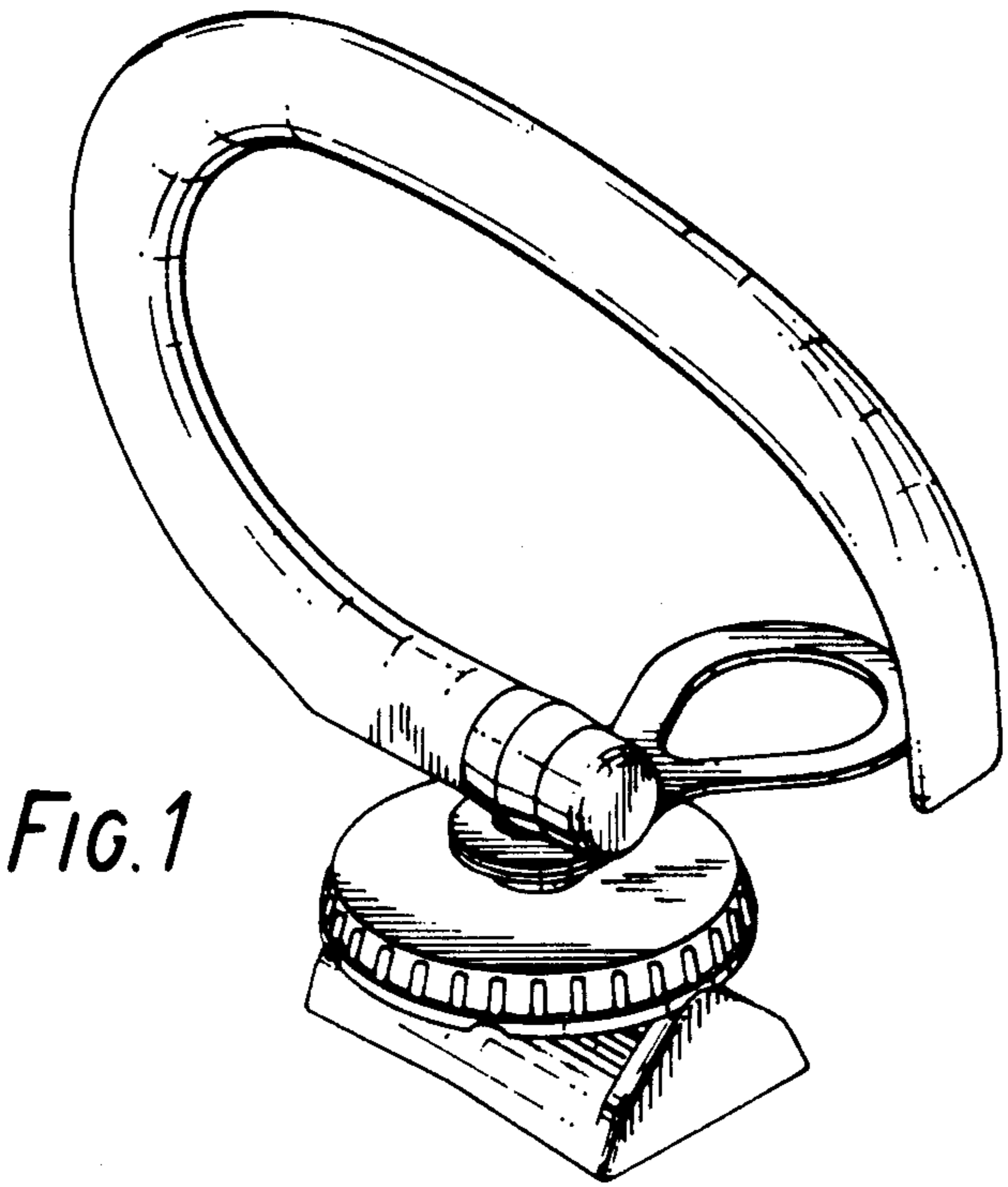
FIG. 1 is a perspective view of a carrier for wire garment hangers showing my new design; FIG. 2 is a left end elevational view; FIG. 3 is a rear elevational view; and FIG. 4 is a bottom plan view.

[56] References Cited

U.S. PATENT DOCUMENTS

D. 223,802 6/1972 Belland 224/45 R





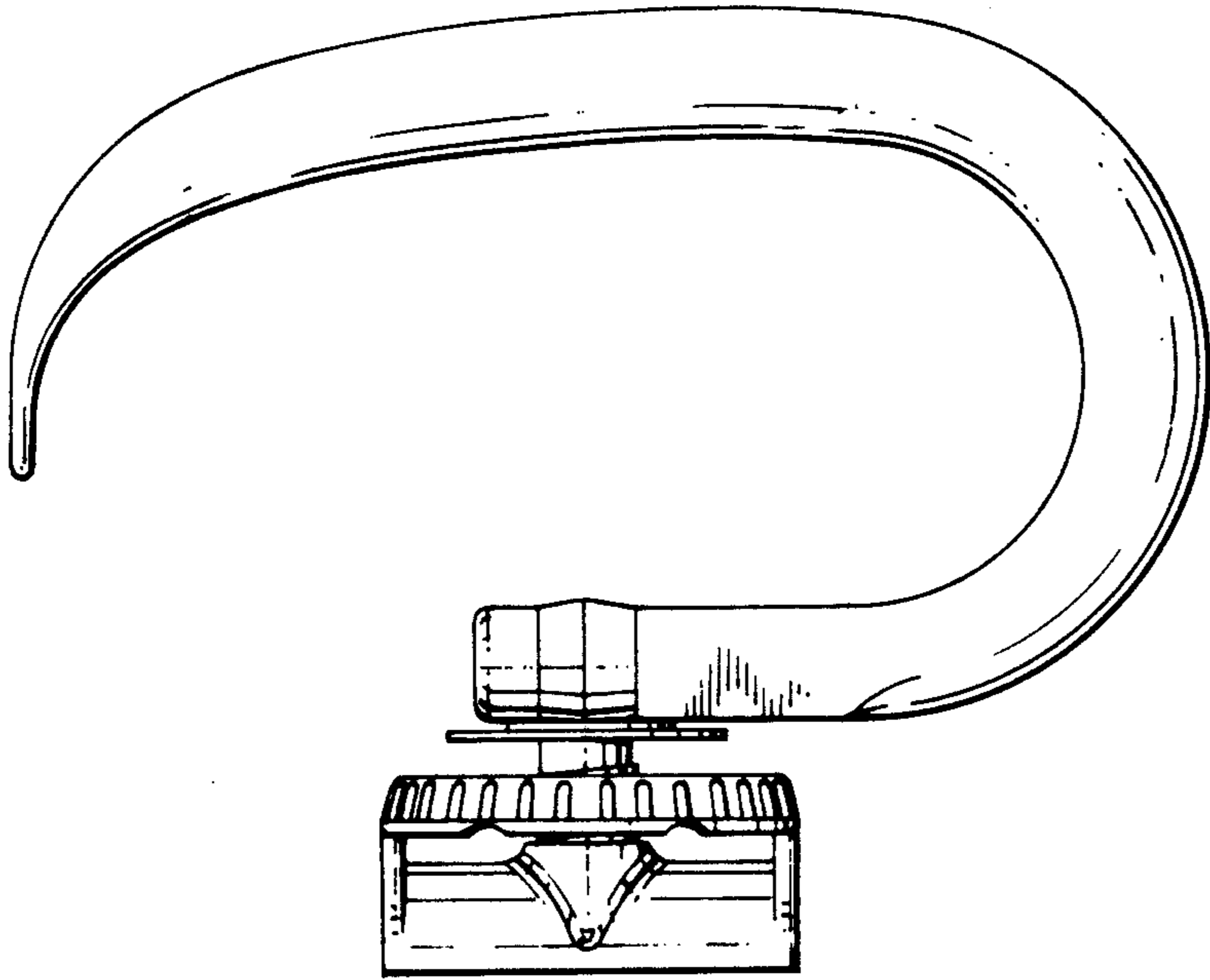


FIG. 3

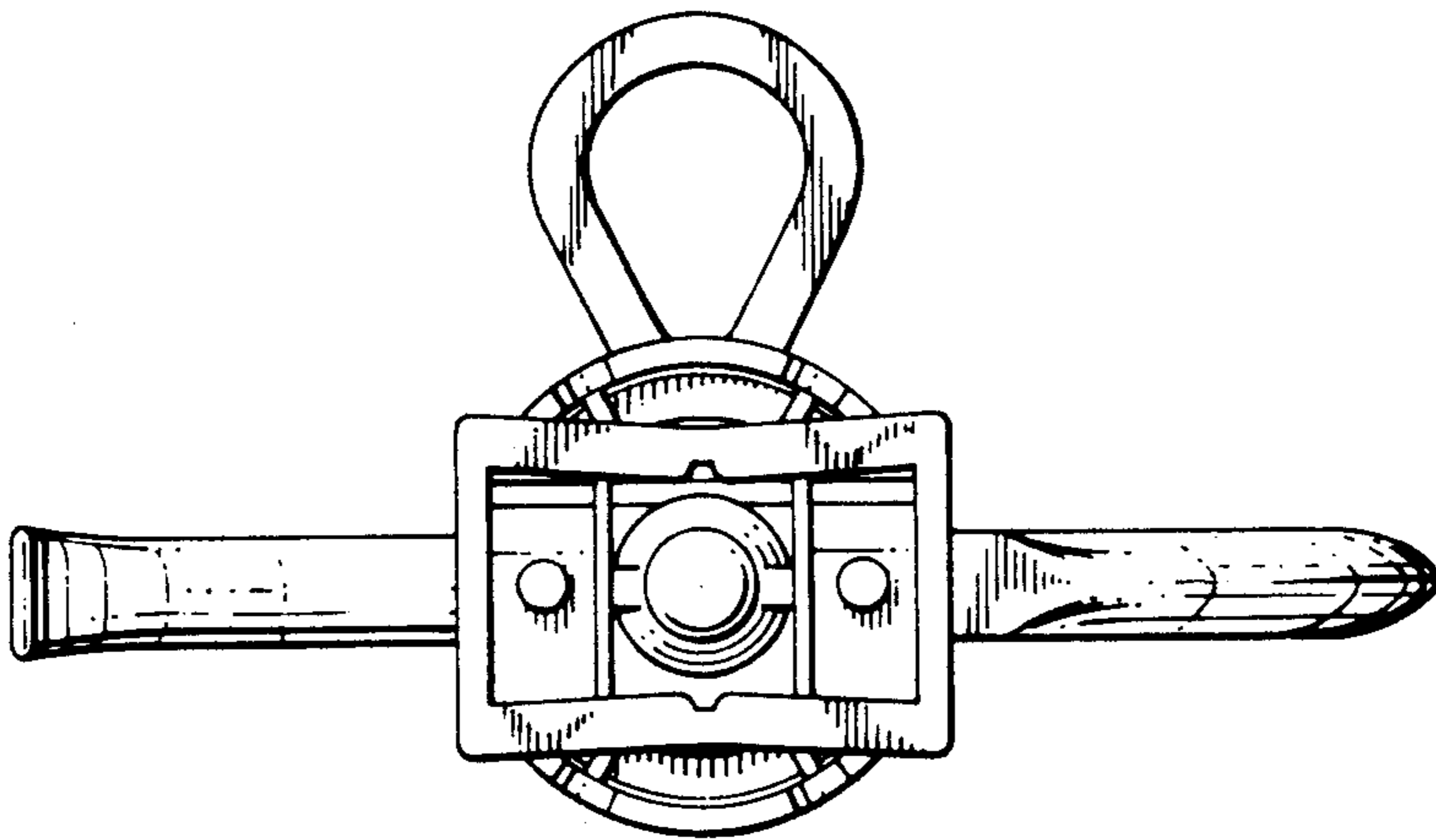


FIG. 4