

[54] STATUE

[76] Inventor: Hugh E. Mitchell, 910 E. Greystone Ave., Monrovia, Calif. 91016

[\*\*] Term: 14 Years

[21] Appl. No.: 877,792

[22] Filed: Feb. 14, 1978

[51] Int. Cl. .... D11-02

[52] U.S. Cl. .... D99/25

[58] Field of Search ..... D11/96, 122; D99/23, D99/25-27; 428/3

OTHER PUBLICATIONS

*Handbook of Designs & Devices* by Hornung ©1932, p. 108-Cross #965 at top center.

*Trophies of Distinction*, Cat. No. 20-65, p. 13-Trophy at top right.

Primary Examiner—Louis S. Zarfes

Attorney, Agent, or Firm—Robert L. Parker

[57] CLAIM

The ornamental design for a statue, substantially as shown and described.

DESCRIPTION

FIG. 1 is a perspective view of a statue showing my new design;

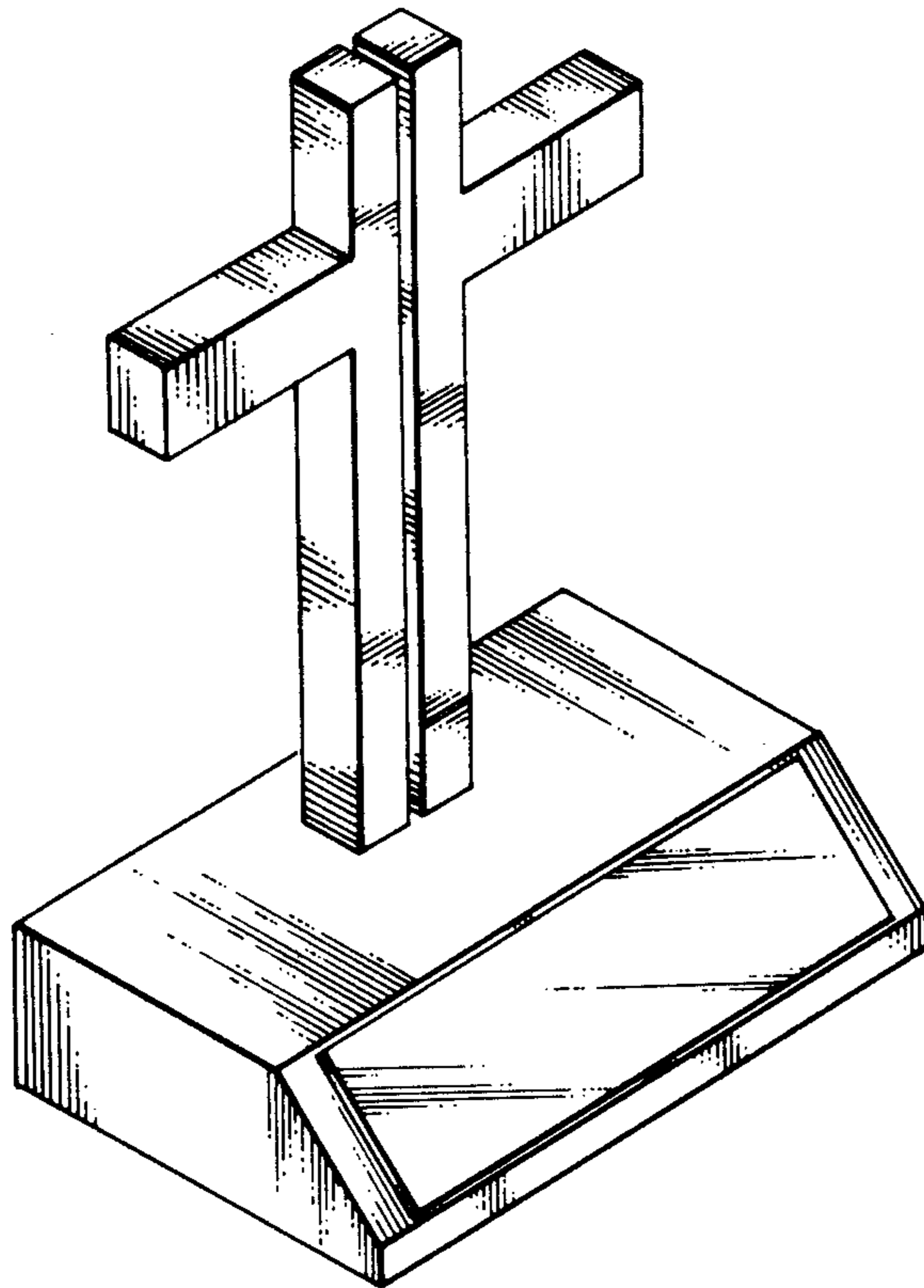
FIG. 2 is a top plan view thereof;

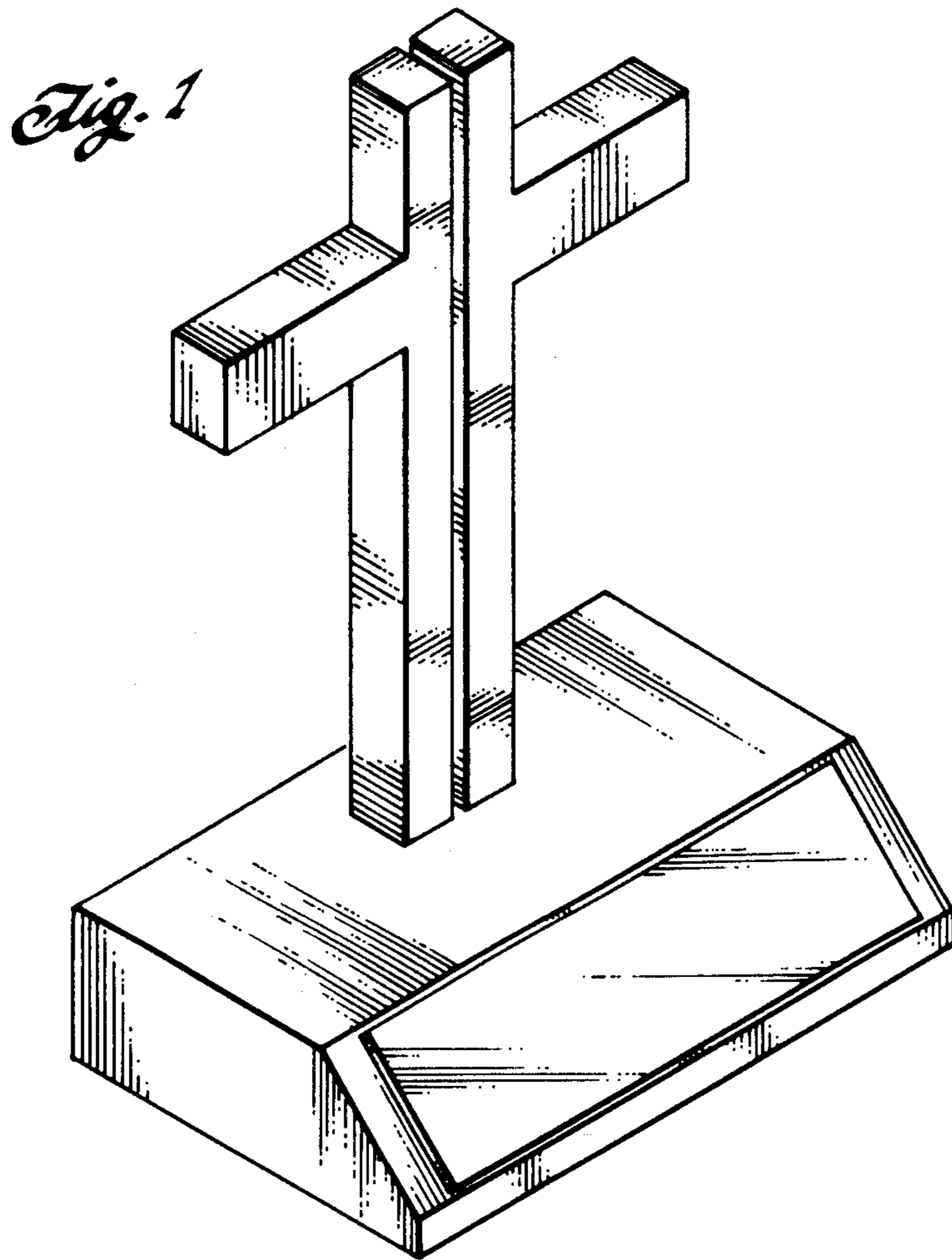
FIG. 3 is a front elevational view thereof, the back being plain; and

FIG. 4 is a left side elevational view thereof, the right side being a mirror image.

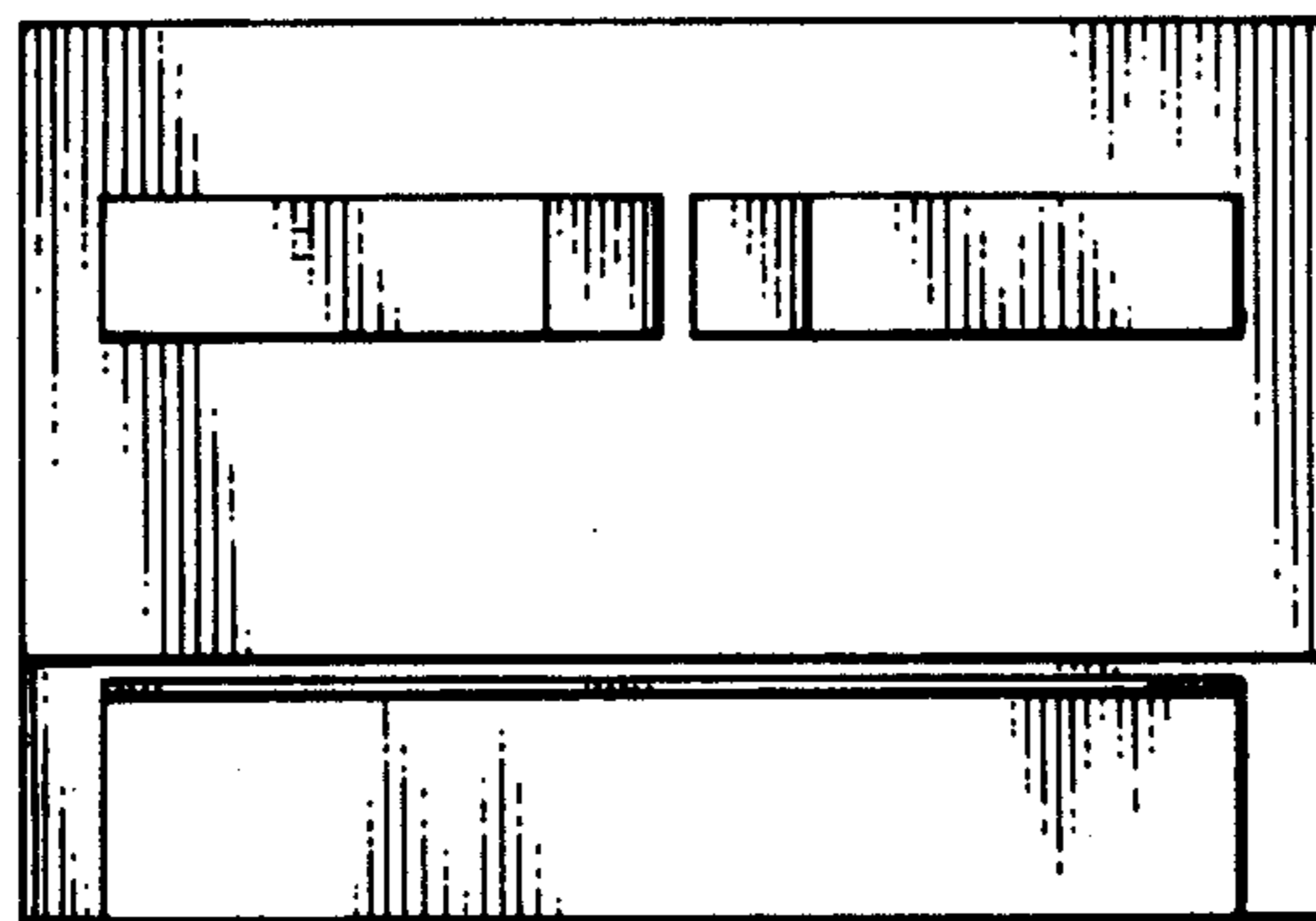
[56] References Cited  
U.S. PATENT DOCUMENTS

D. 225,537	12/1972	Bowers	.....	D99/27
D. 241,552	9/1976	Timm	.....	D99/27 X
2,036,616	4/1936	Asch	.....	D99/27 X
2,493,991	1/1950	Morrison	.....	428/3 X

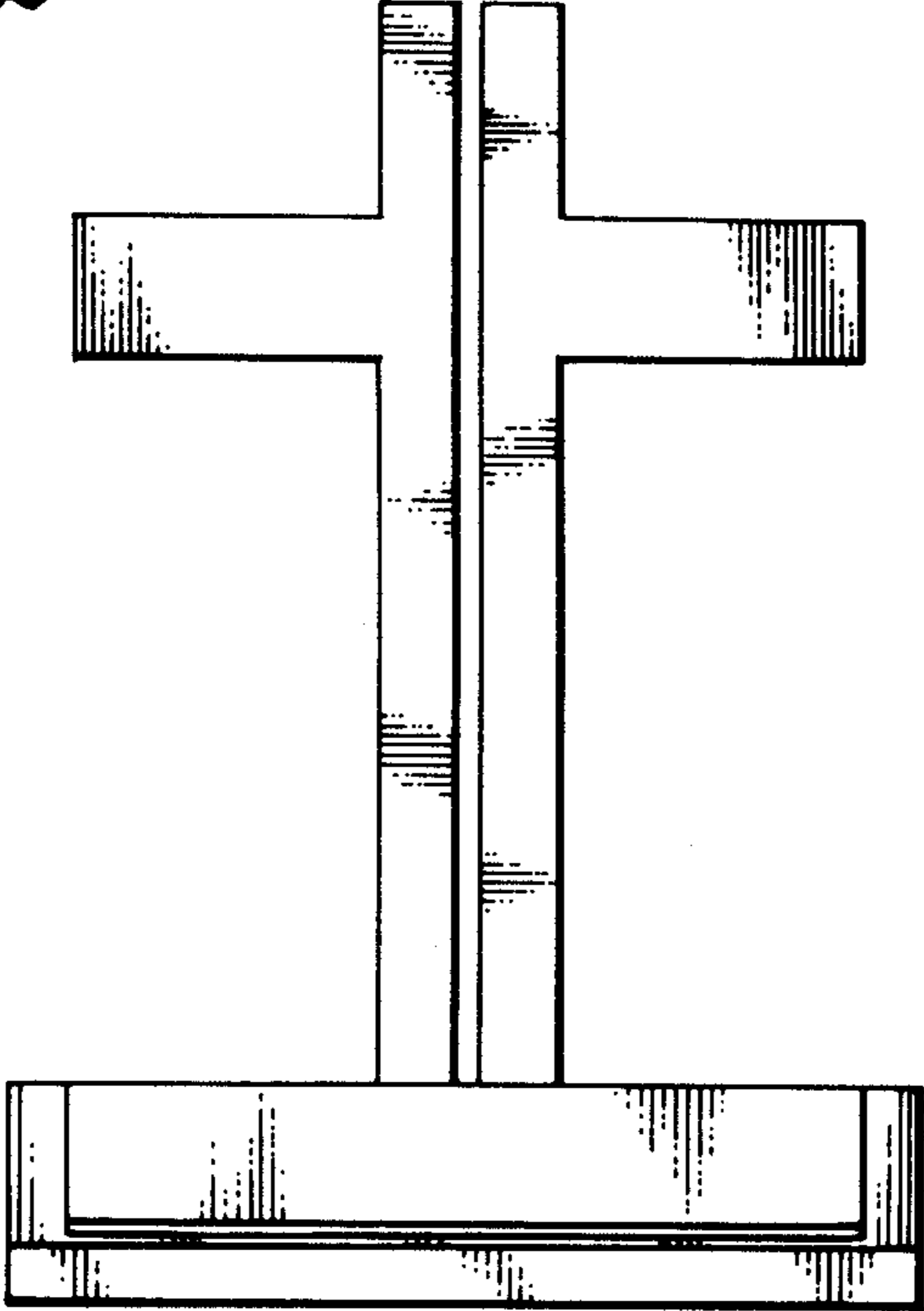




*Fig. 2*



*Fig. 3*



*Fig. 4*

