

[54] CONTACT LENS STERILIZER UNIT

[75] Inventors: Michael D. Thomas, Arab, Ala.;  
Francis E. Ryder, Barrington, Ill.

[73] Assignee: Ryder International Corporation,  
Arab, Ala.

[\*\*] Term: 14 Years

[21] Appl. No.: 918,312

[22] Filed: Jun. 21, 1978

[51] Int. Cl. .... D24—02

[52] U.S. Cl. .... D24/9

[58] Field of Search ..... D24/9; 206/5.1;  
422/292, 293, 297, 299, 300, 307

[56] References Cited

U.S. PATENT DOCUMENTS

D. 243,556 3/1977 Thomas et al. .... D24/9

Primary Examiner—Sam Rosen

Attorney, Agent, or Firm—Richard R. Trexler

[57] CLAIM

The ornamental design for a contact lens sterilizer unit,  
substantially as shown and described.

DESCRIPTION

FIG. 1 is a perspective view of our contact lens sterilizer unit taken generally from the front thereof showing our new design;

FIG. 2 is a top plan view thereof;

FIG. 3 is a front elevational view thereof;

FIG. 4 is a side elevational view thereof; and

FIG. 5 is a rear elevational view thereof.

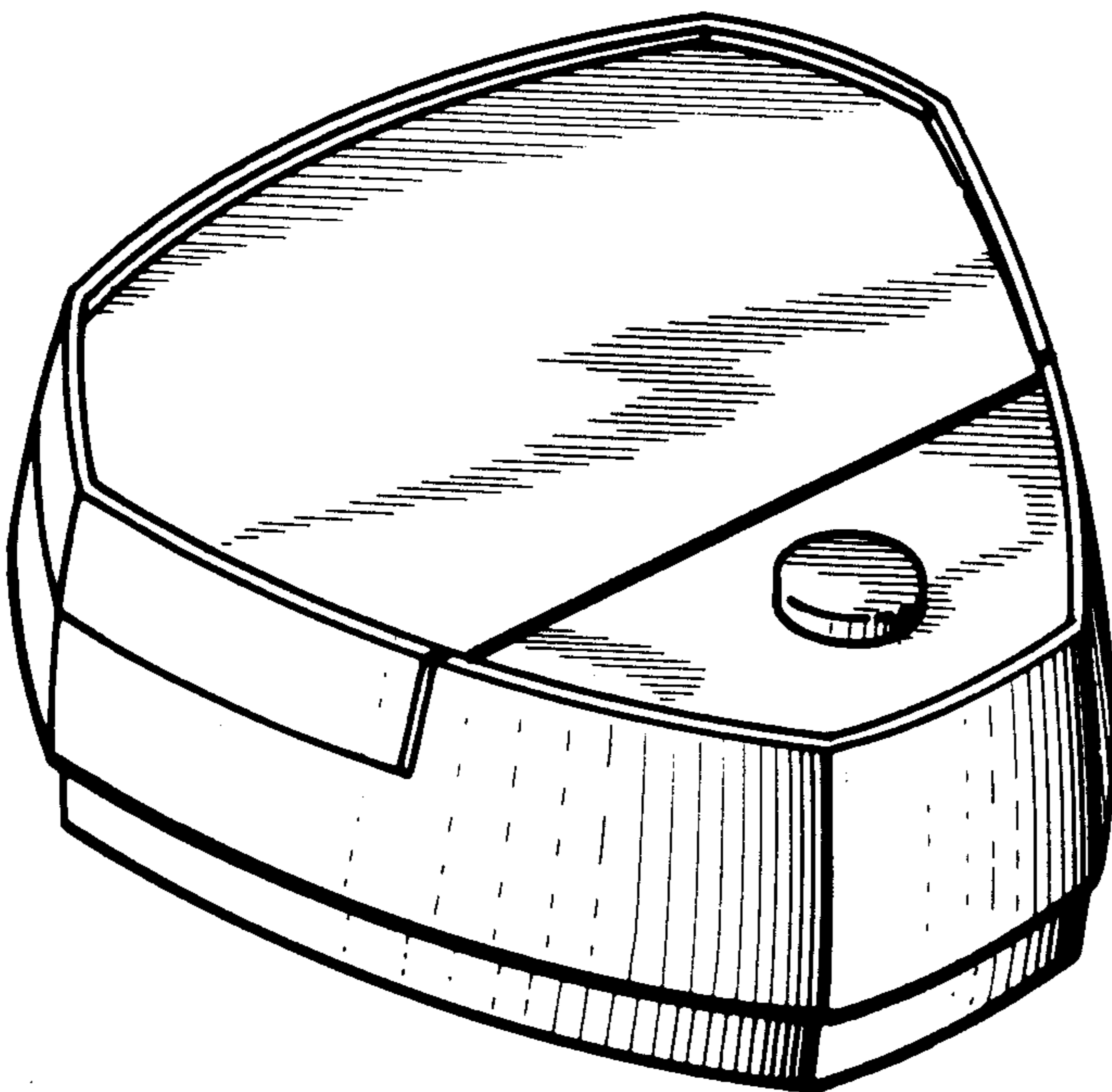


FIG. 1

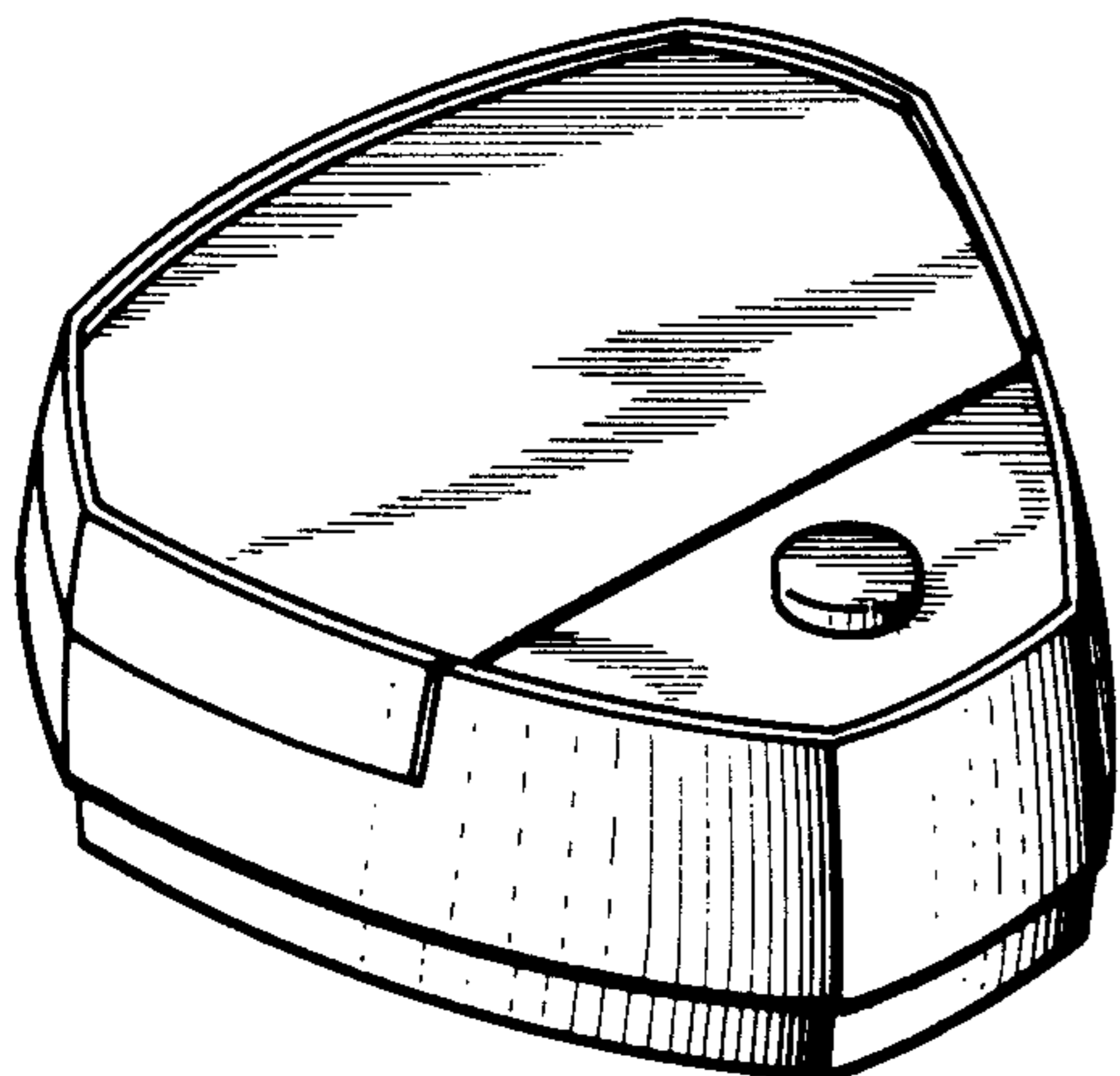


FIG. 2

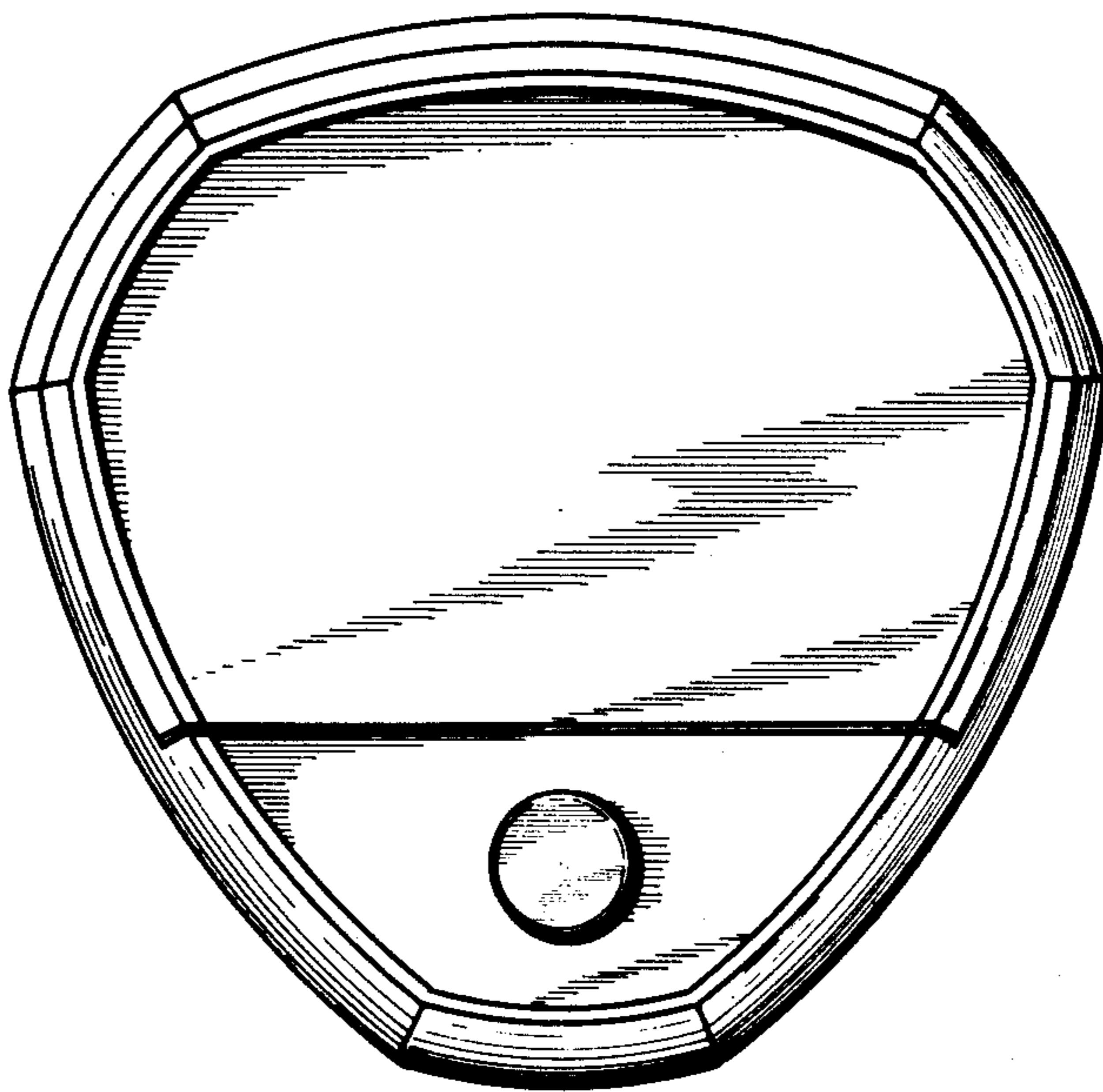


FIG. 3

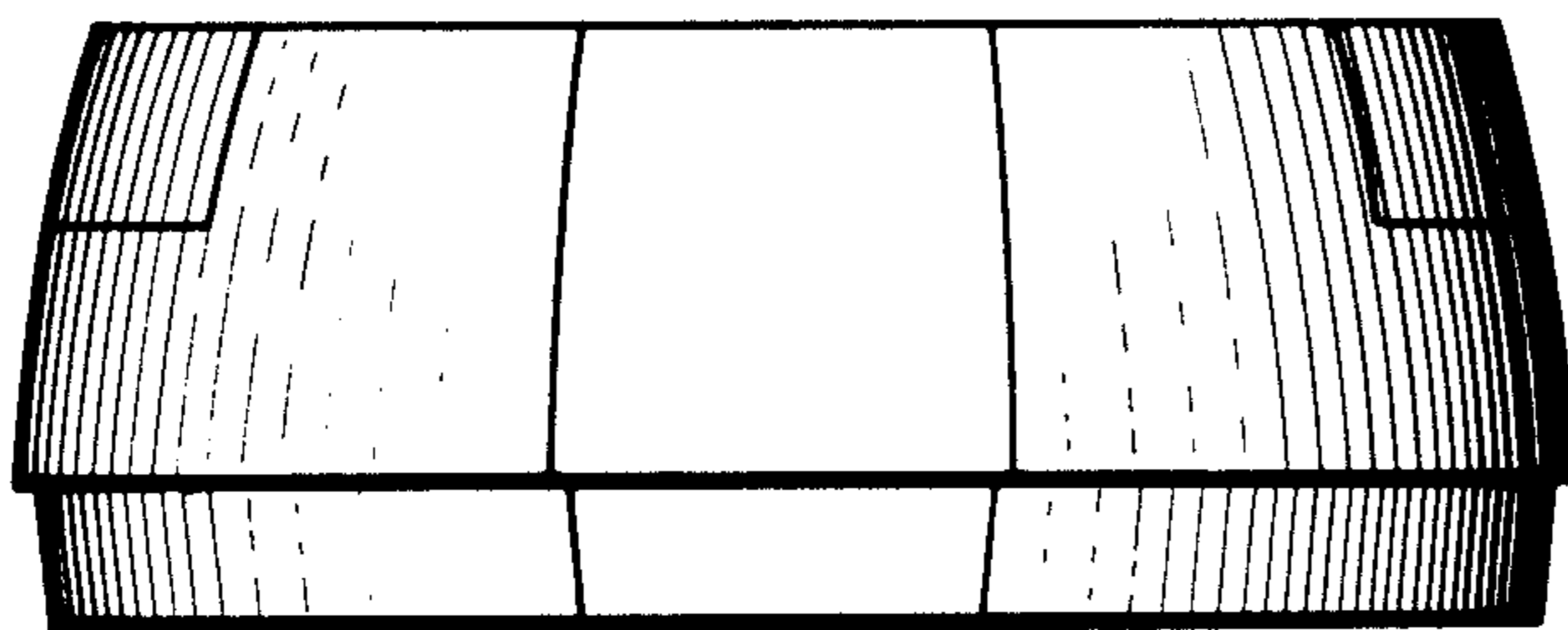


FIG. 4

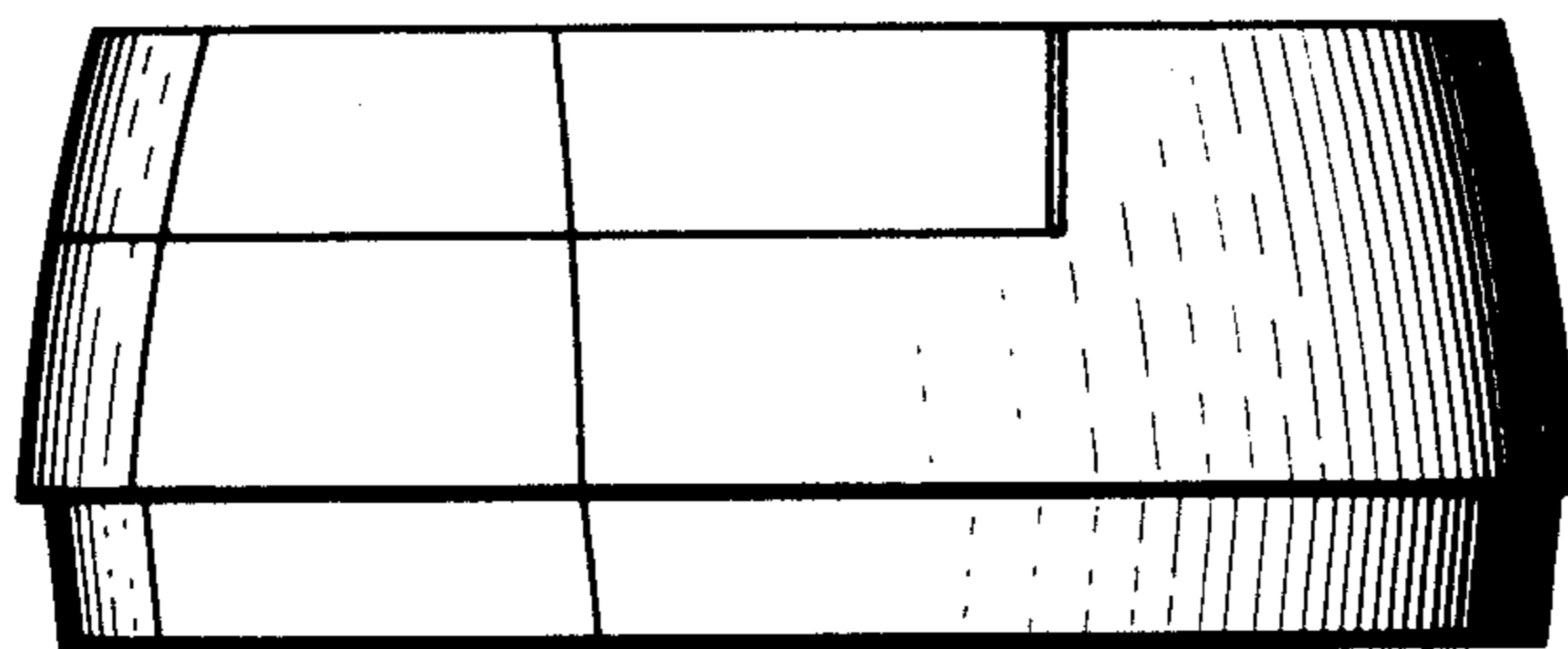


FIG. 5

