

[54] TOILET SEAT

[76] Inventor: Elvert H. Land, Jr., 16205 E. Pawnee, Wichita, Kans. 67230

[**] Term: 14 Years

[21] Appl. No.: 814,110

[22] Filed: Jul. 8, 1977

[51] Int. Cl. D23—02

[52] U.S. Cl. D23/71

[58] Field of Search D23/69-71; 4/234, 237, 239

[56] References Cited

U.S. PATENT DOCUMENTS

D. 195,397 6/1963 Whitehorn D23/71

Primary Examiner—James R. Largen

Attorney, Agent, or Firm—Edward L. Brown, Jr.

[57] CLAIM

The ornamental design for a toilet seat, as shown and described.

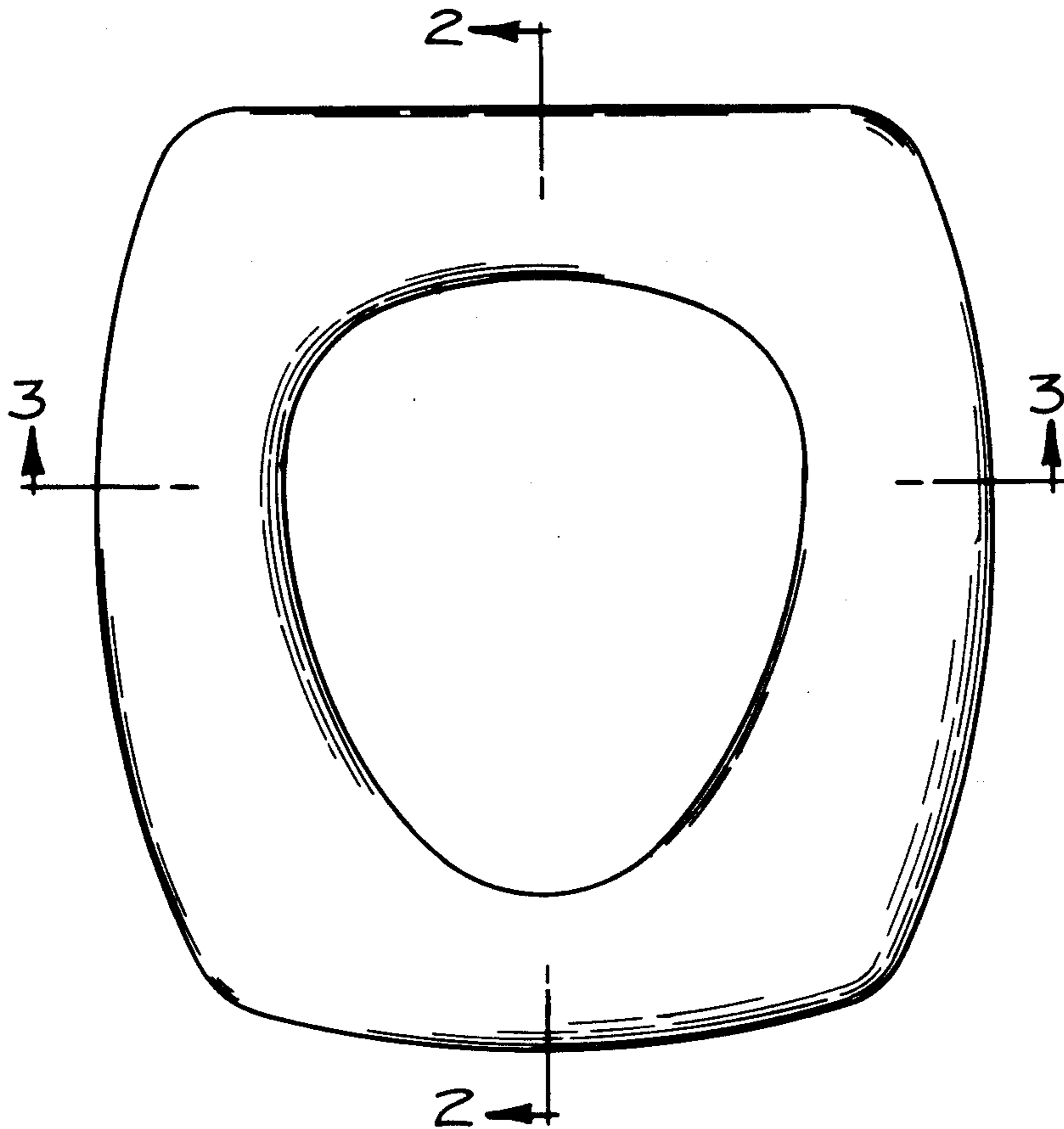
DESCRIPTION

FIG. 1 is a top plan view of a toilet seat showing my new design;

FIG. 2 is a cross sectional view taken along line 2—2 of FIG. 1; and

FIG. 3 is a cross sectional view taken along line 3—3 of FIG. 1.

The bottom view is similar to the top view except totally flat.



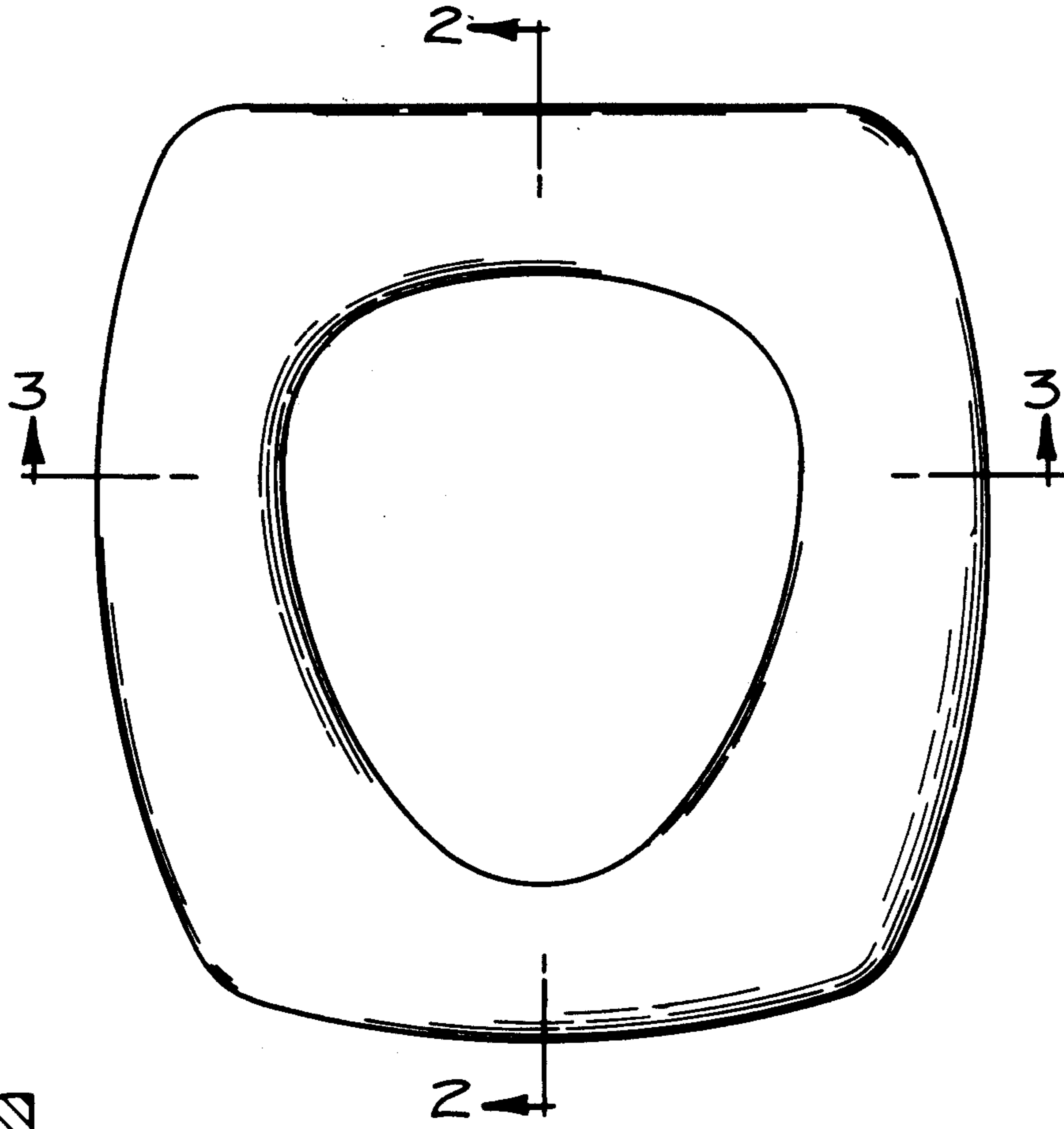


FIG. 1



FIG. 2

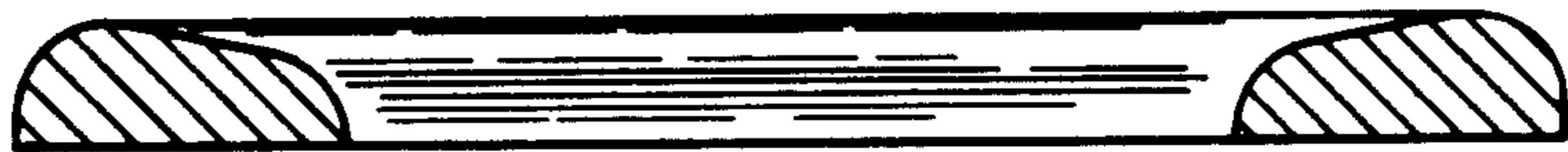


FIG. 3