

[54] SPINNING PUSH TOY

[76] Inventor: Katherine L. Harwood, Airport Bldg.  
144, Pasco, Wash. 99301

[\*\*] Term: 14 Years

[21] Appl. No.: 857,873

[22] Filed: Dec. 5, 1977

[51] Int. Cl. .... D21-01

[52] U.S. Cl. .... D21/64

[58] Field of Search ..... D21/92, 59, 64, 62,  
D21/150; 46/114, 1 R, 47, 59, 148, 204;  
D7/157, 160

[56] References Cited

U.S. PATENT DOCUMENTS

D. 115,335	6/1939	Holister et al. ....	D7/157
D. 138,191	7/1944	Wilson .....	D21/64
529,764	11/1894	Weeks .....	D7/157
2,879,625	3/1959	Bolger .....	46/114

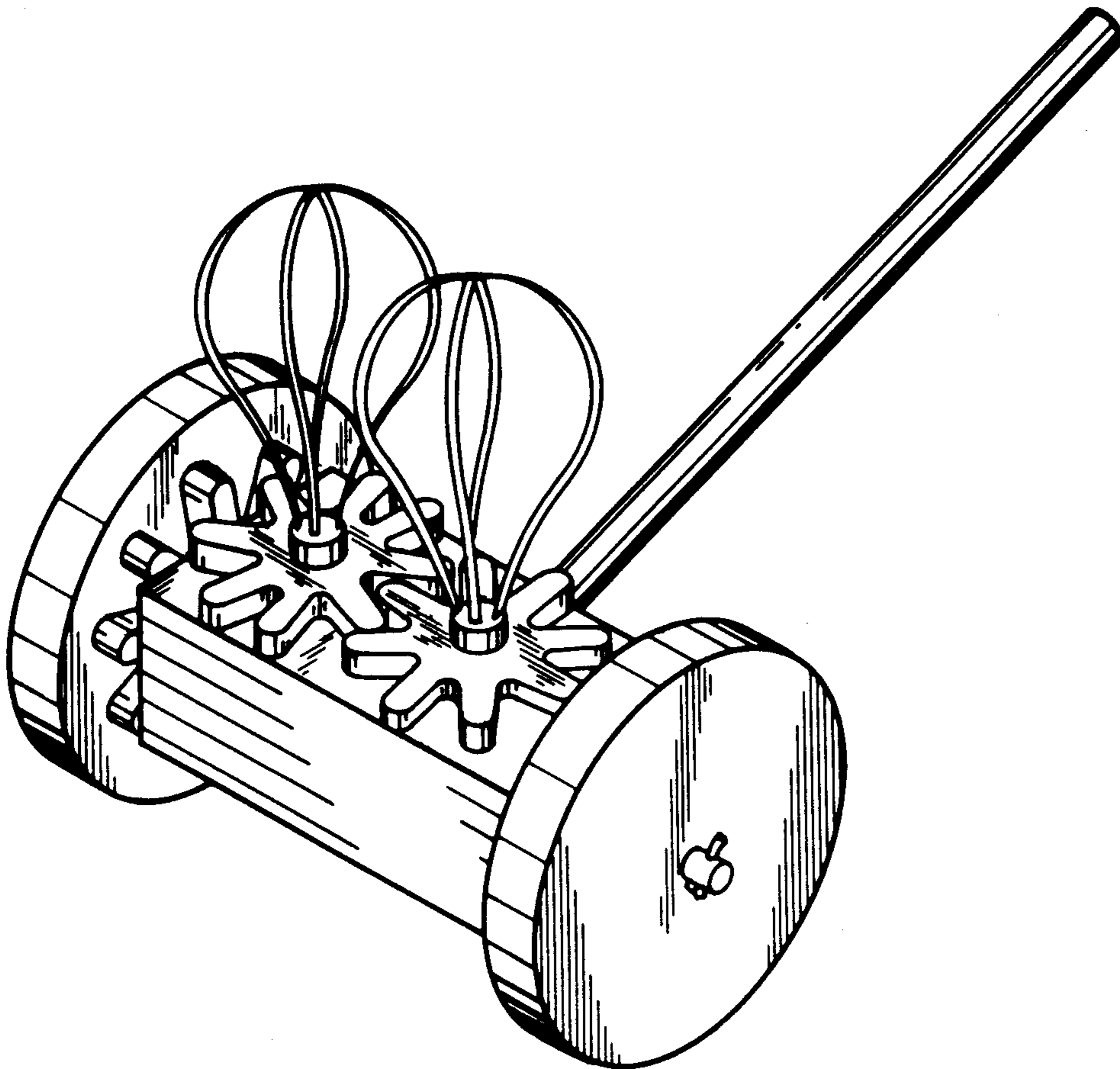
Primary Examiner—Charles A. Rademaker  
Attorney, Agent, or Firm—Greek Wells

[57] CLAIM

The ornamental design for a spinning push toy, as shown.

DESCRIPTION

FIG. 1 is a front perspective view of a spinning push toy showing my new design;  
FIG. 2 is a top plan view thereof;  
FIG. 3 is a right side elevational view thereof;  
FIG. 4 is a bottom plan view thereof; and  
FIG. 5 is a left side elevational view thereof.



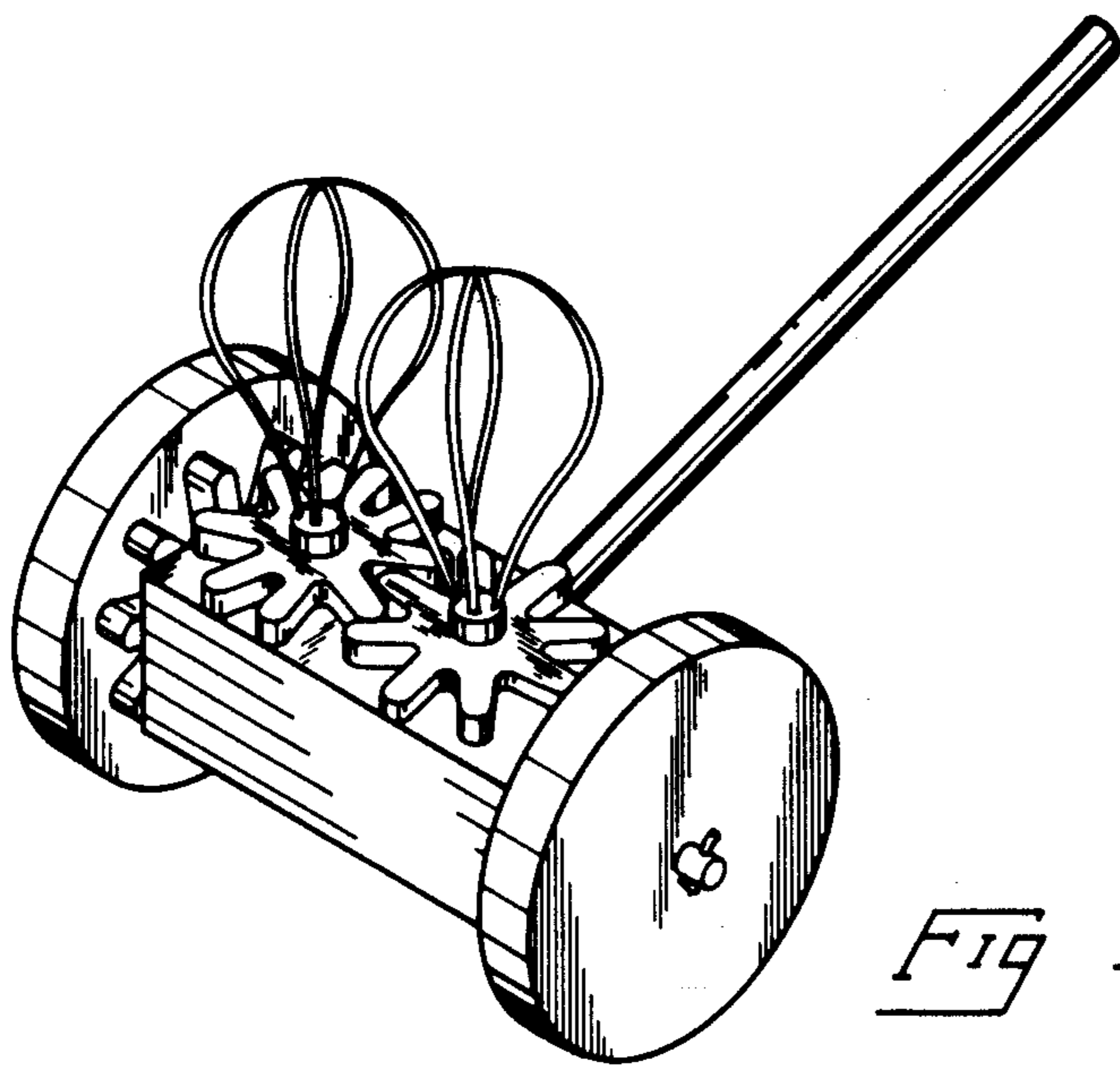


FIG 1

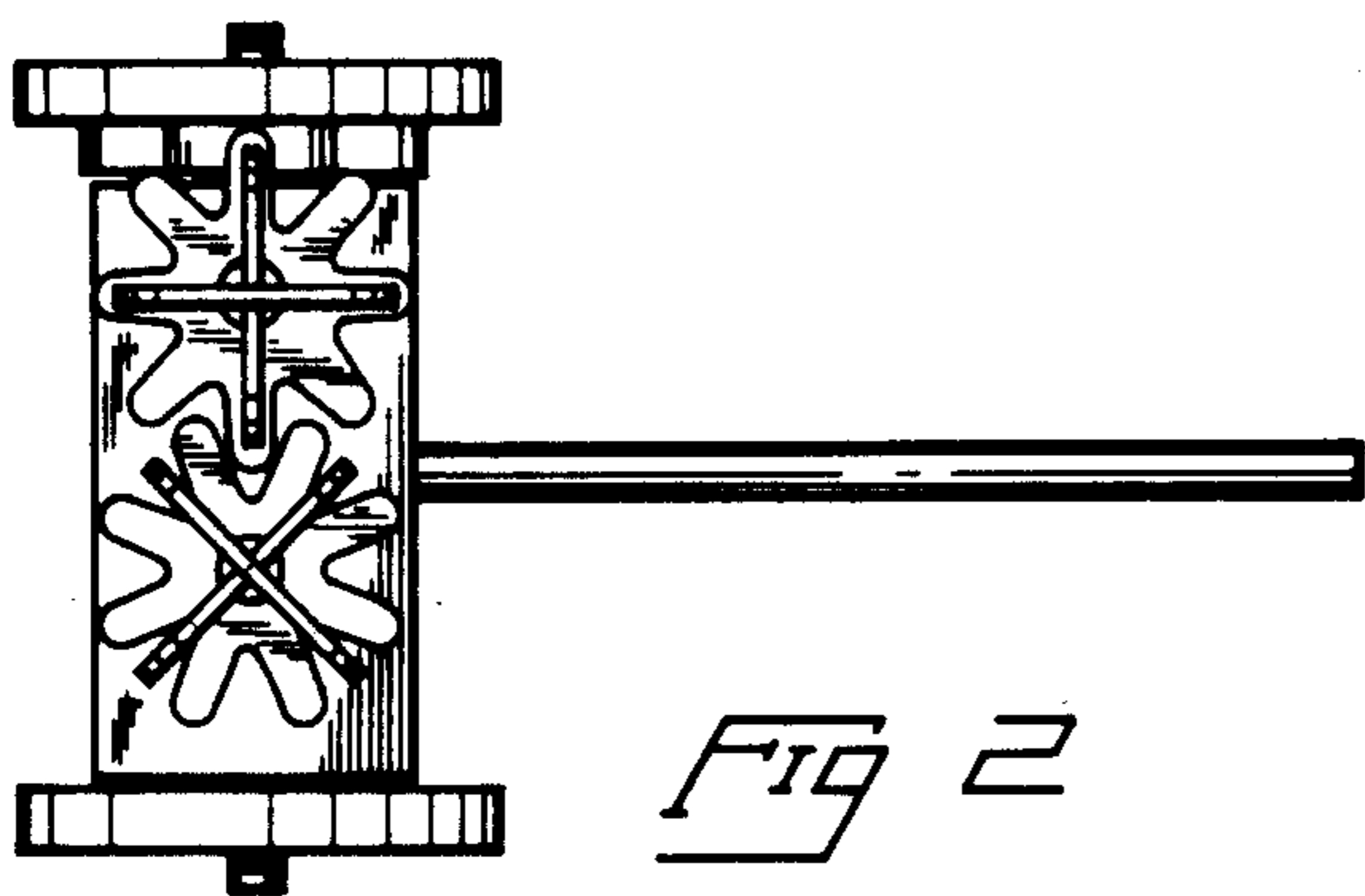


FIG 2

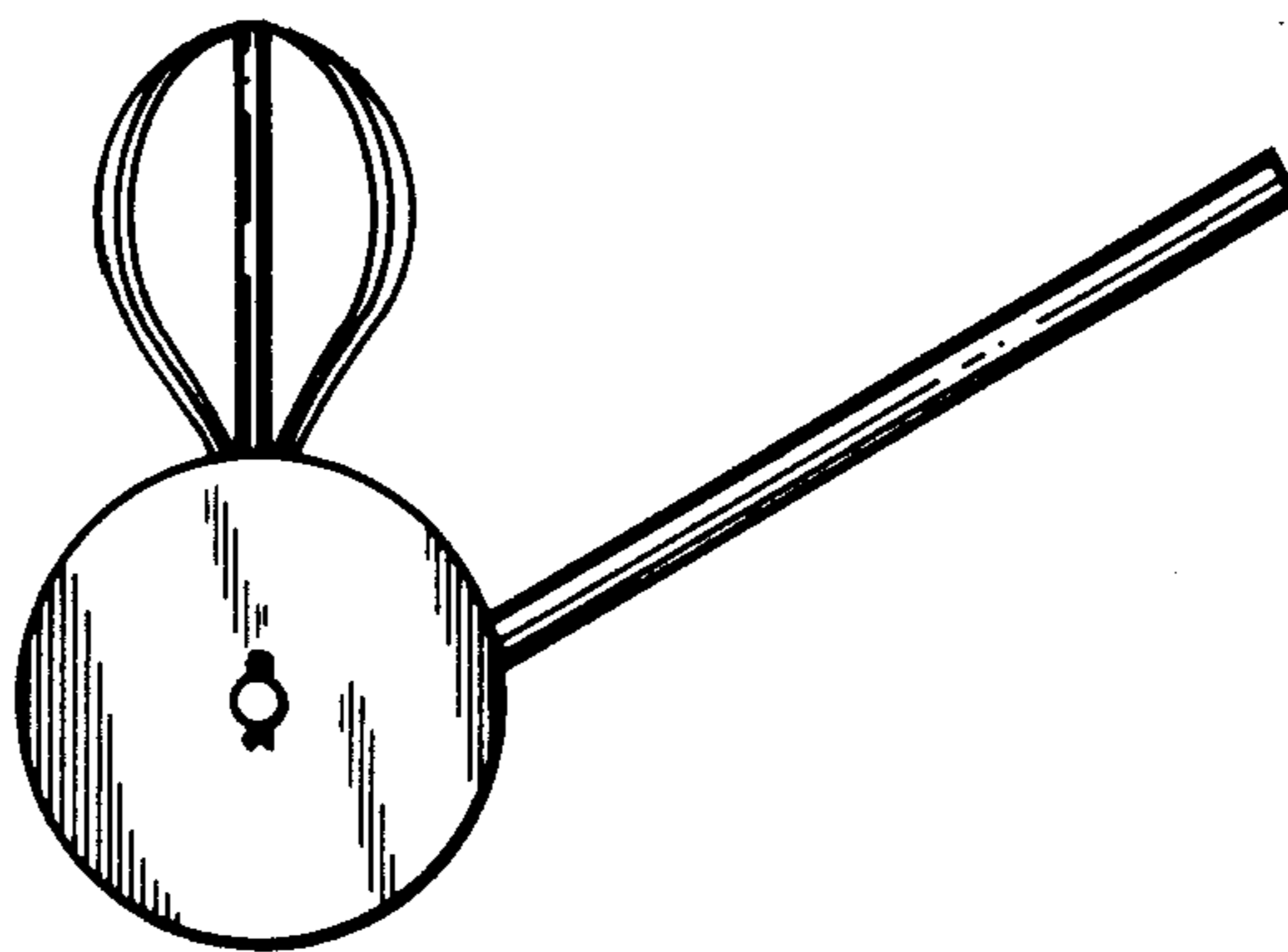


FIG 3

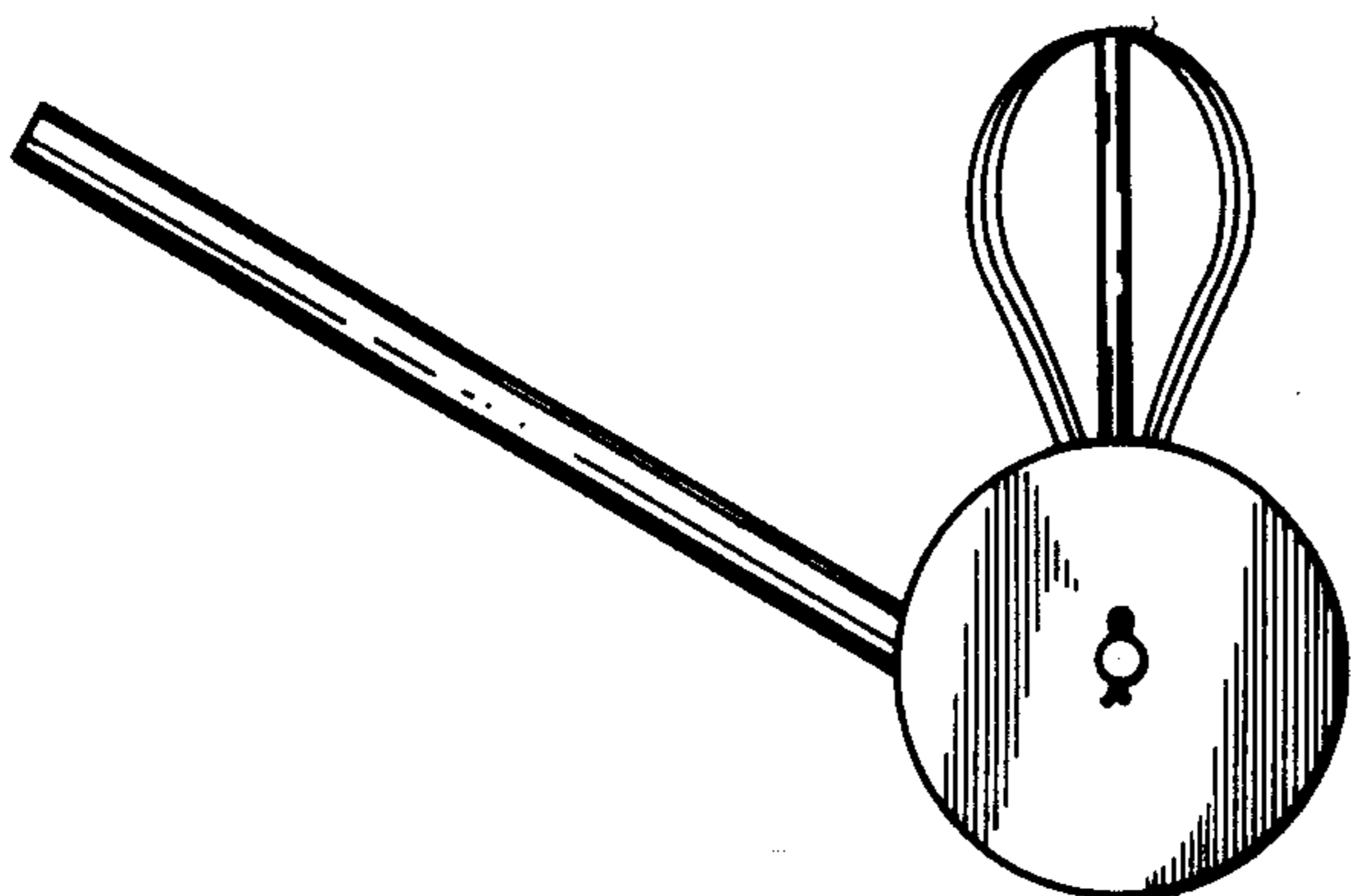


FIG 5

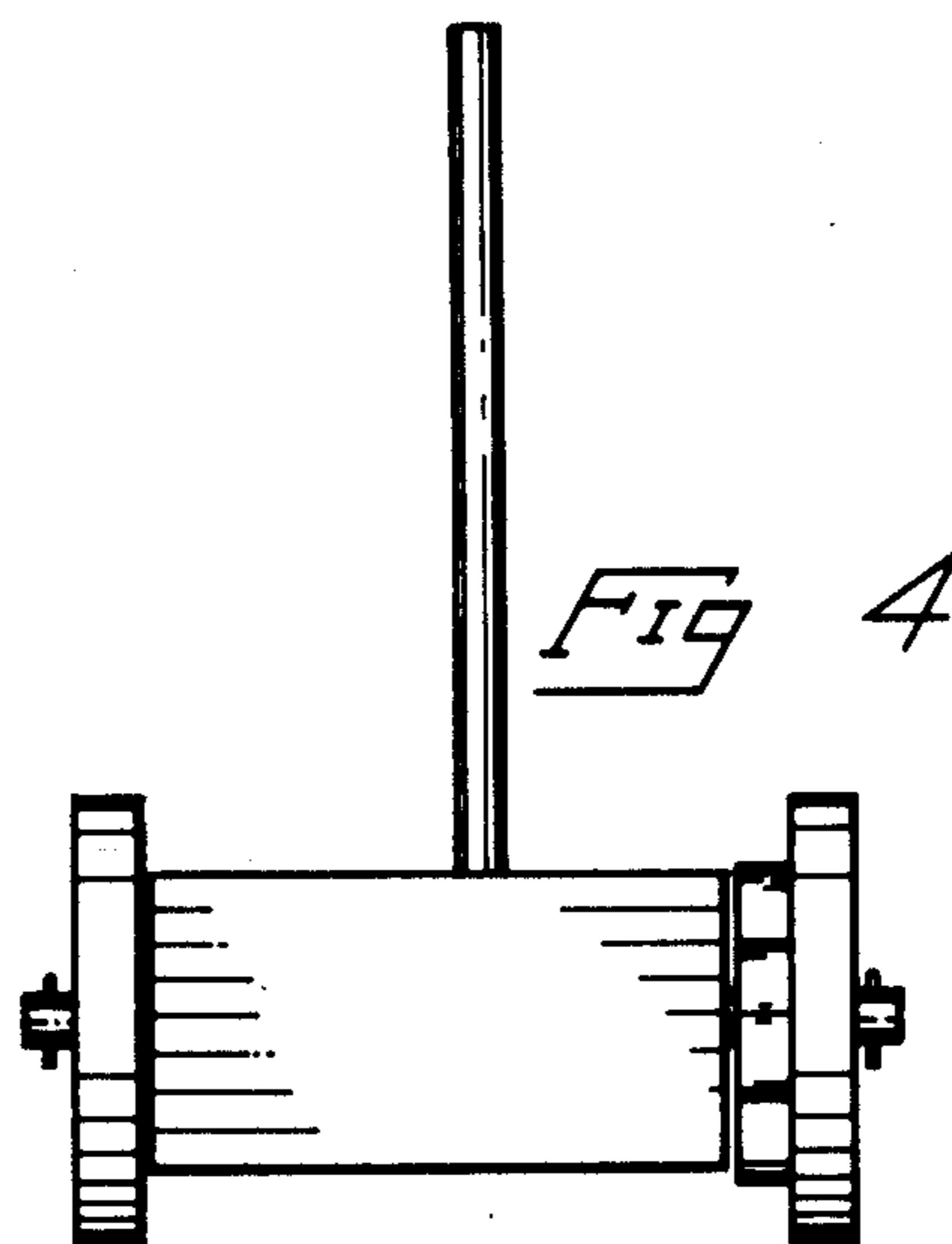


FIG 4