

[54] TOY PIN-BALL MACHINE

[76] Inventor: **Shigeru Saitoh**, No. 6-4, 2-chome, Kuramae, Taito-ku, Tokyo, Japan

[\*\*] Term: **14 Years**

[21] Appl. No.: **929,318**

[22] Filed: **Jul. 31, 1978**

[51] Int. Cl. .... **D21-01**

[52] U.S. Cl. .... **D21/12**

[58] Field of Search ..... **D21/12, 7, 9, 10; 273/95 R, 126 R**

[56] **References Cited**

**U.S. PATENT DOCUMENTS**

D. 245,361 8/1977 Kojima ..... **D21/12**

**OTHER PUBLICATIONS**

Sears Xmas Cat., 1977, p. 536, bottom right, item No. 5, Starball.

*Primary Examiner*—Melvin B. Feifer  
*Attorney, Agent, or Firm*—Michael J. Striker

[57] **CLAIM**

The ornamental design for a toy pin-ball machine, substantially as shown and described.

**DESCRIPTION**

FIG. 1 is a front top perspective of a toy pinball machine showing my new design, also showing one side; FIG. 2 is a bottom perspective thereof, also showing the rear; FIG. 3 is an elevation showing the side not visible in FIG. 1; FIG. 4 is a bottom view thereof; and FIG. 5 is a side elevation showing another position.

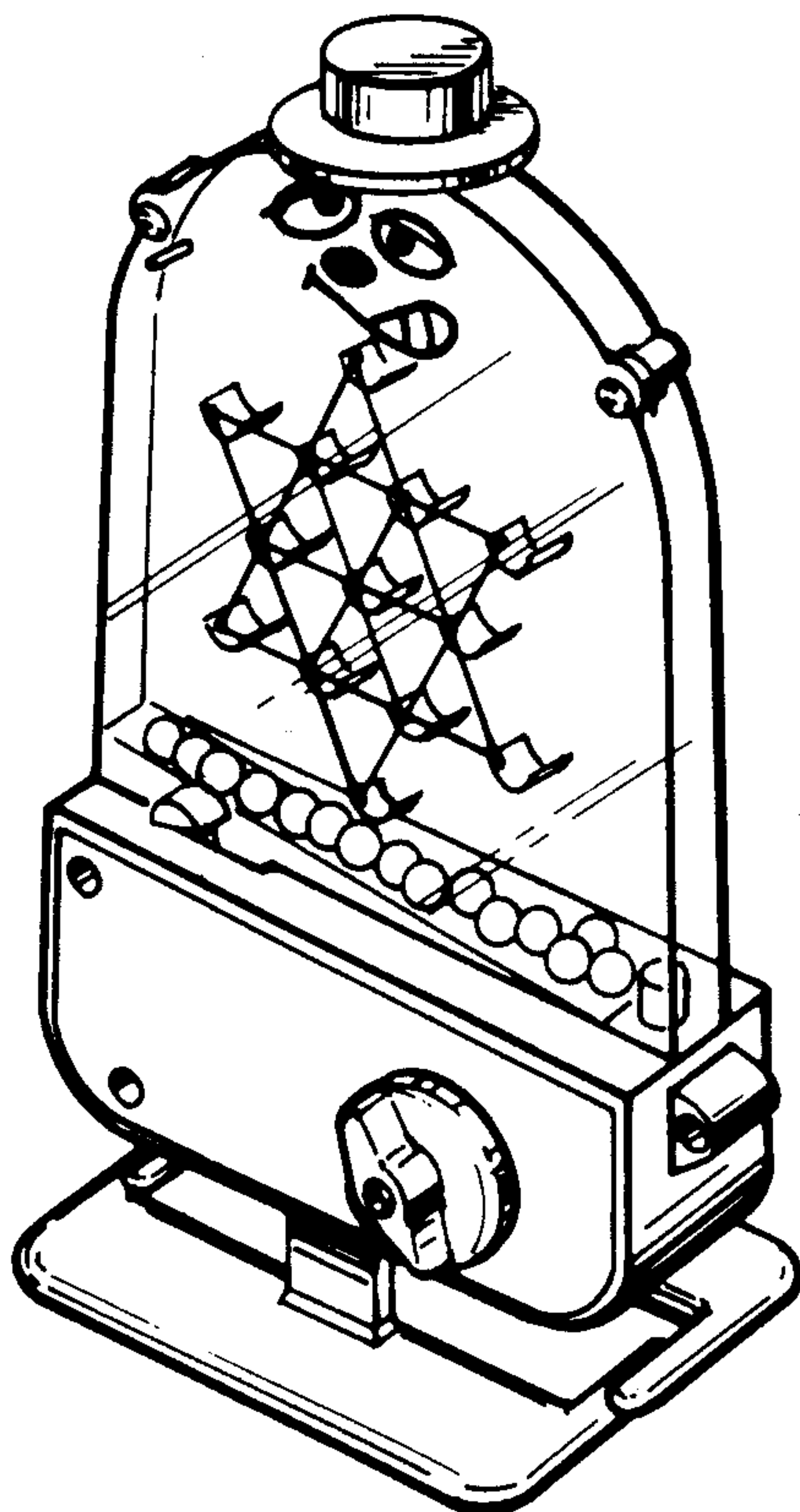


FIG.1

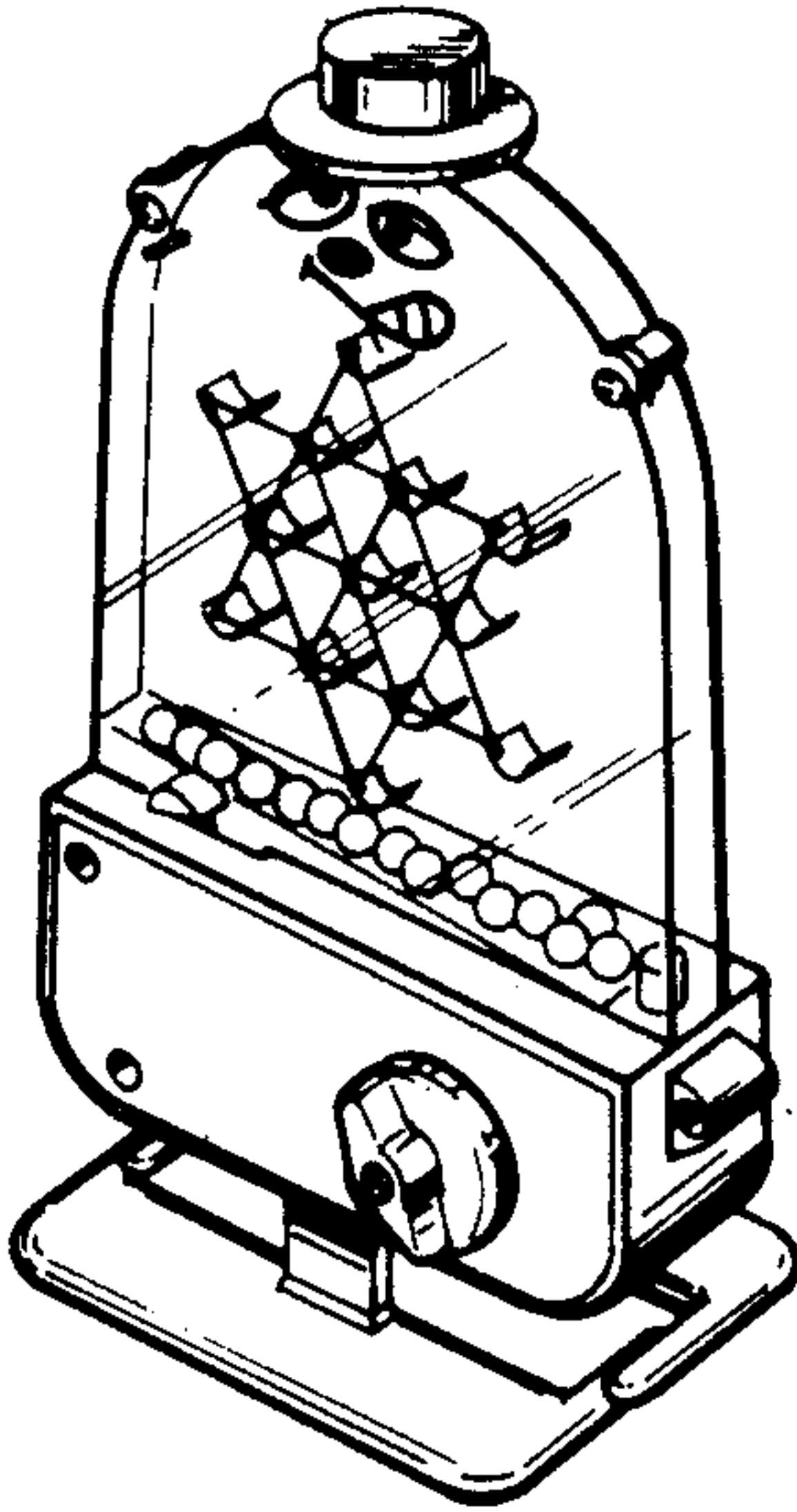


FIG.2

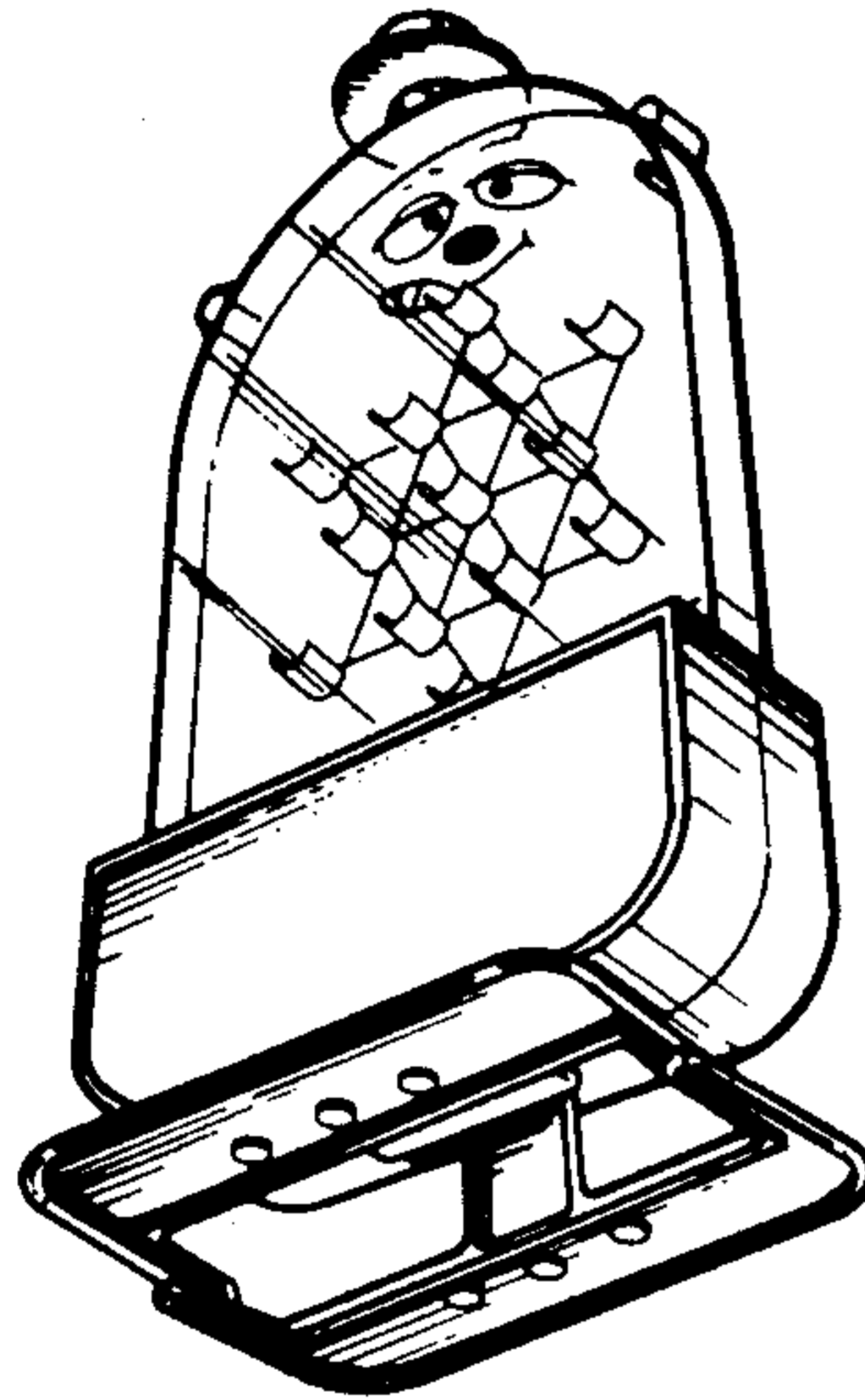


FIG.3

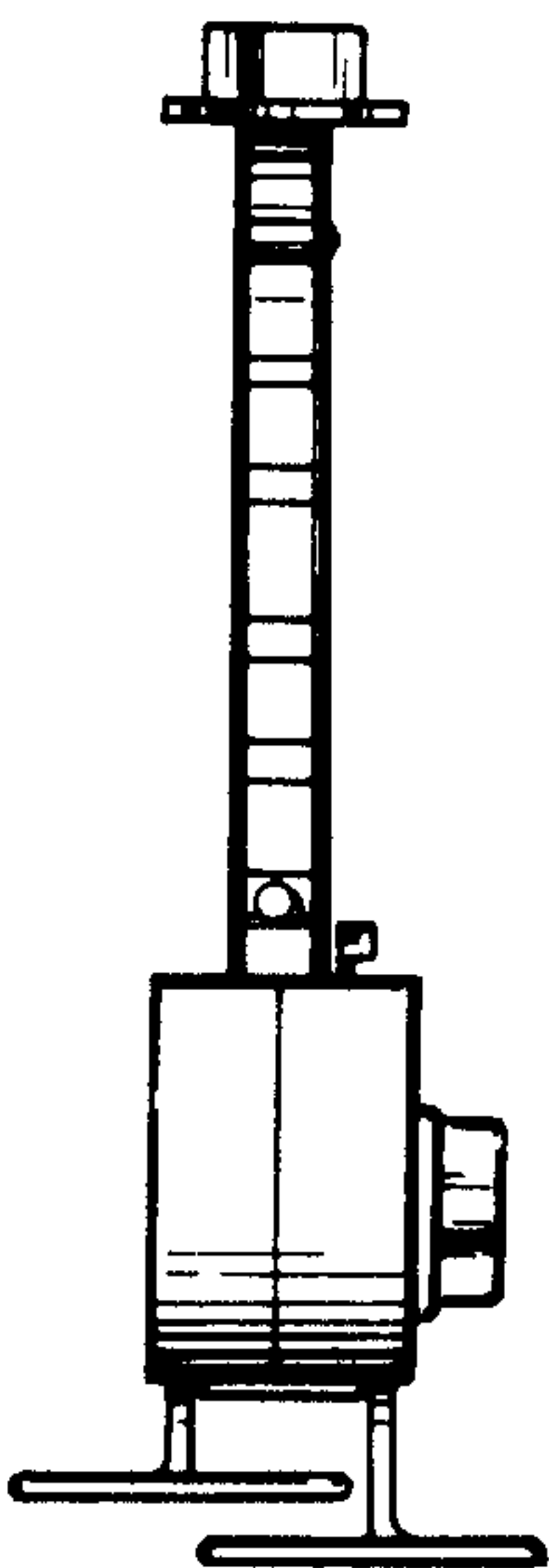


FIG.5

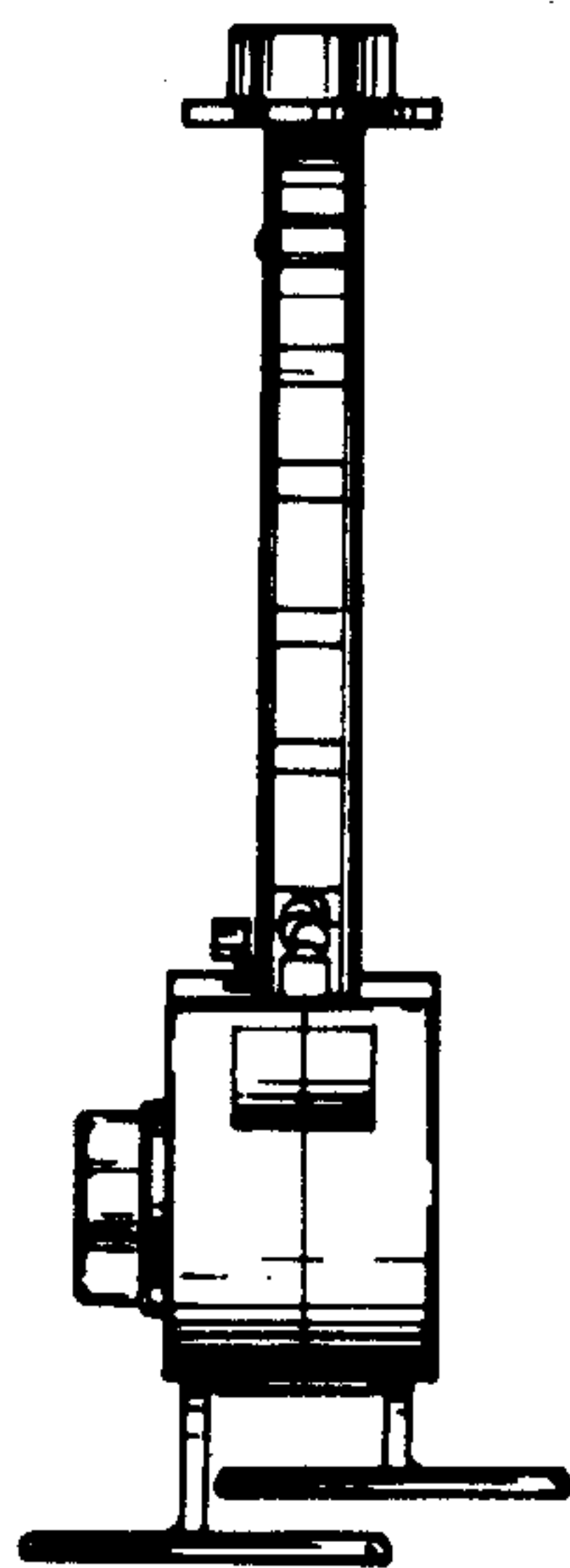


FIG.4

