

[54] TOY PIN-BALL MACHINE

D. 245,361 8/1977 Kojima D21/12

[76] Inventor: Shigeru Saitoh, No. 6-4, 2-chome, Kuramae, Taito-Ku, Tokyo, Japan

Primary Examiner—Melvin B. Feifer
Attorney, Agent, or Firm—Michael J. Striker

[**] Term: 14 Years

[57] CLAIM

[21] Appl. No.: 929,317

The ornamental design for a toy pin-ball machine, substantially as shown and described.

[22] Filed: Jul. 31, 1978

DESCRIPTION

[51] Int. Cl. D21-01

[52] U.S. Cl. D21/12

[58] Field of Search D21/12, 7, 9, 10; 273/95 R, 126 R

FIG. 1 is a front top perspective of a toy pinball machine showing my new design, also showing one side; FIG. 2 is a bottom perspective thereof, also showing the rear;

FIG. 3 is an elevation showing the side not visible in FIG. 1;

FIG. 4 is a bottom view thereof; and

FIG. 5 is a side elevation showing another position.

[56] References Cited

U.S. PATENT DOCUMENTS

D. 242,557 11/1976 Lohr et al. D21/10

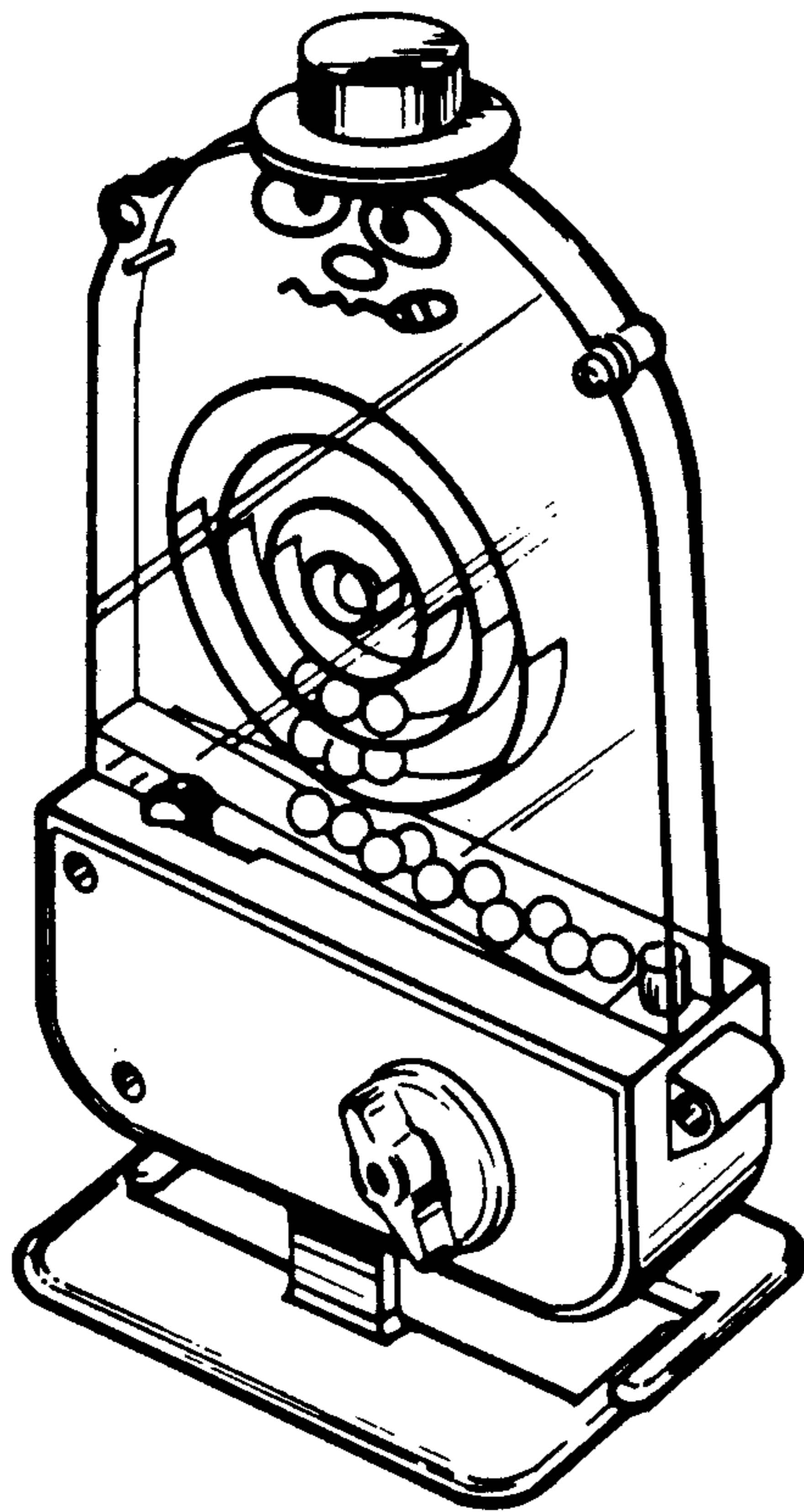


FIG.1

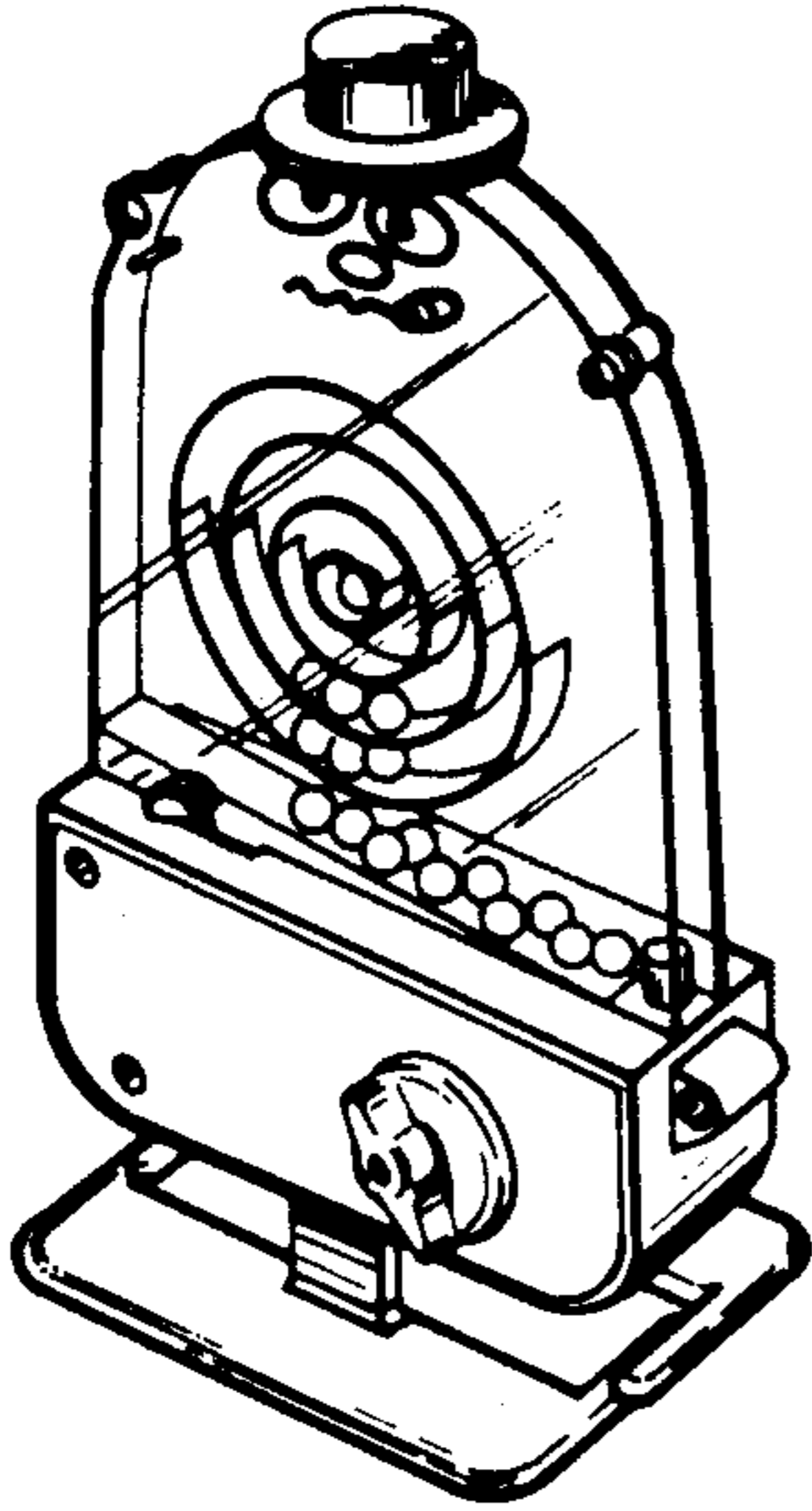


FIG.2

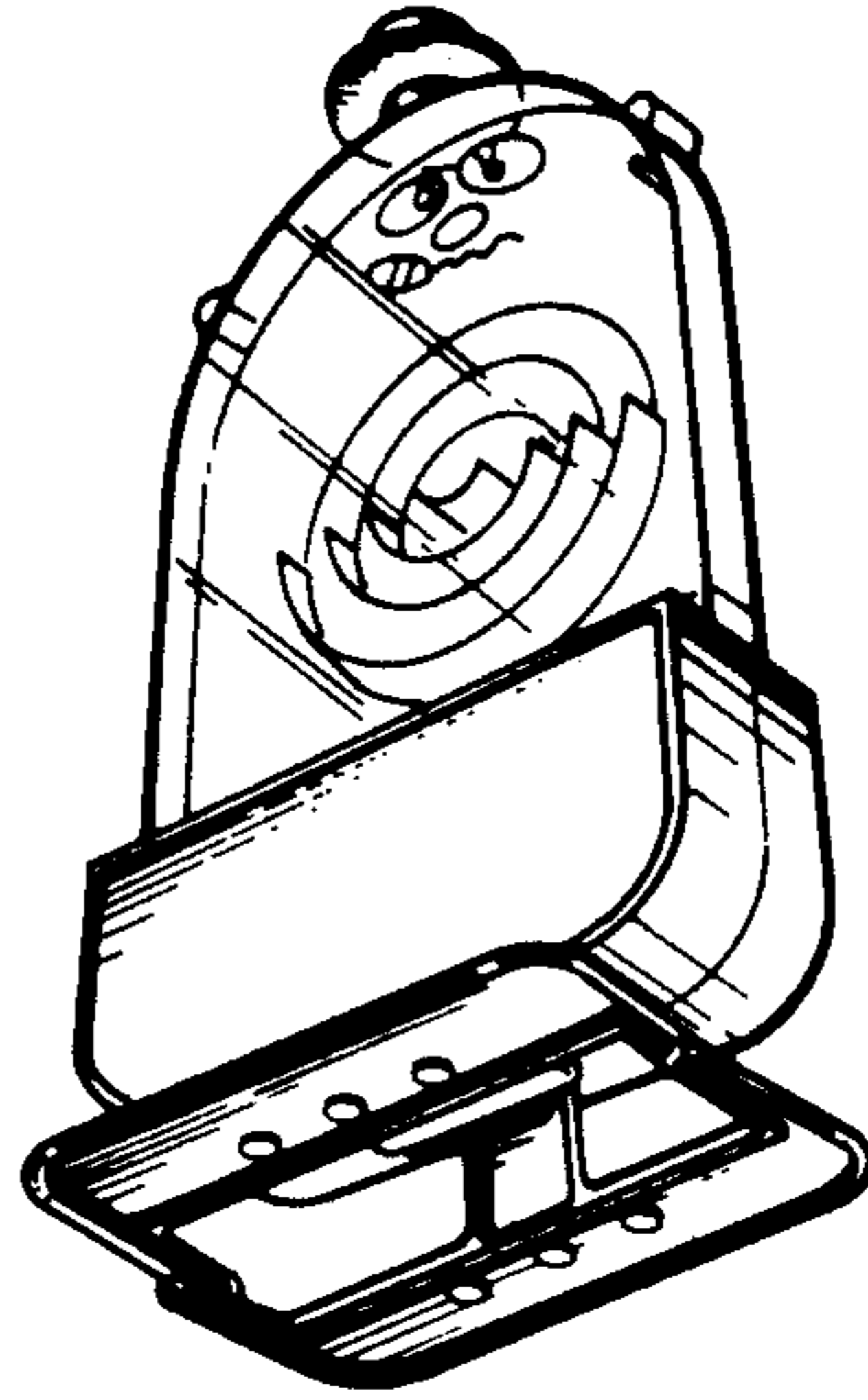


FIG.3

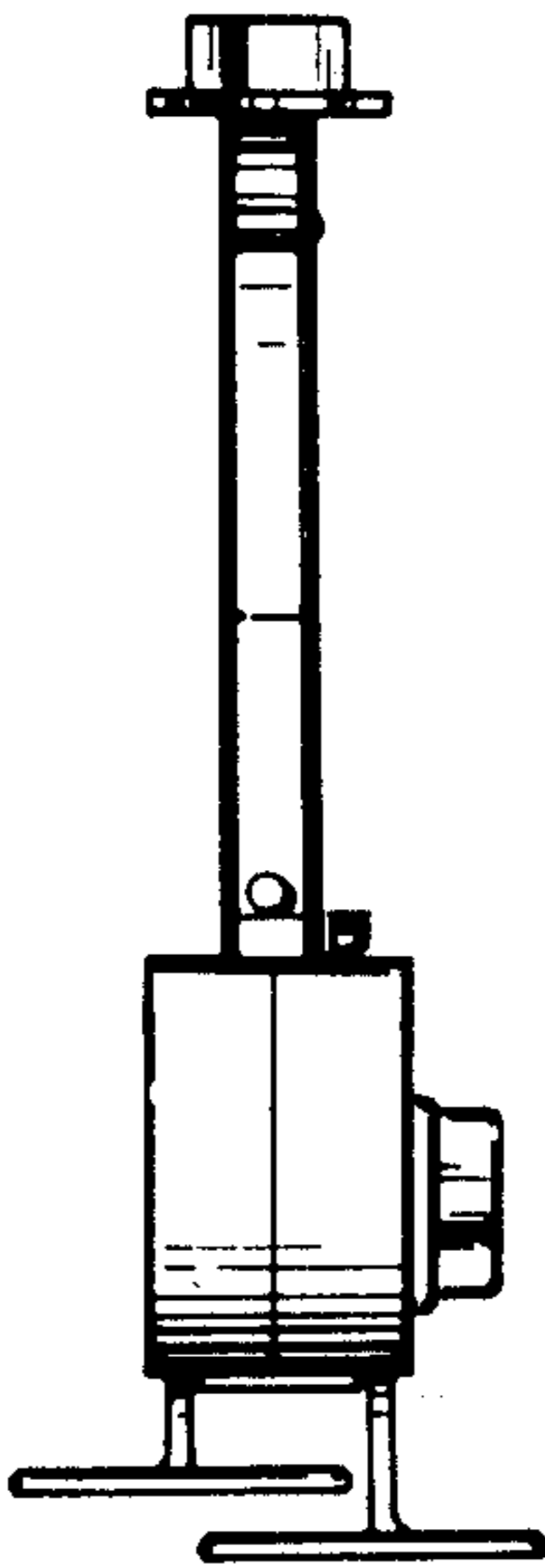


FIG.5

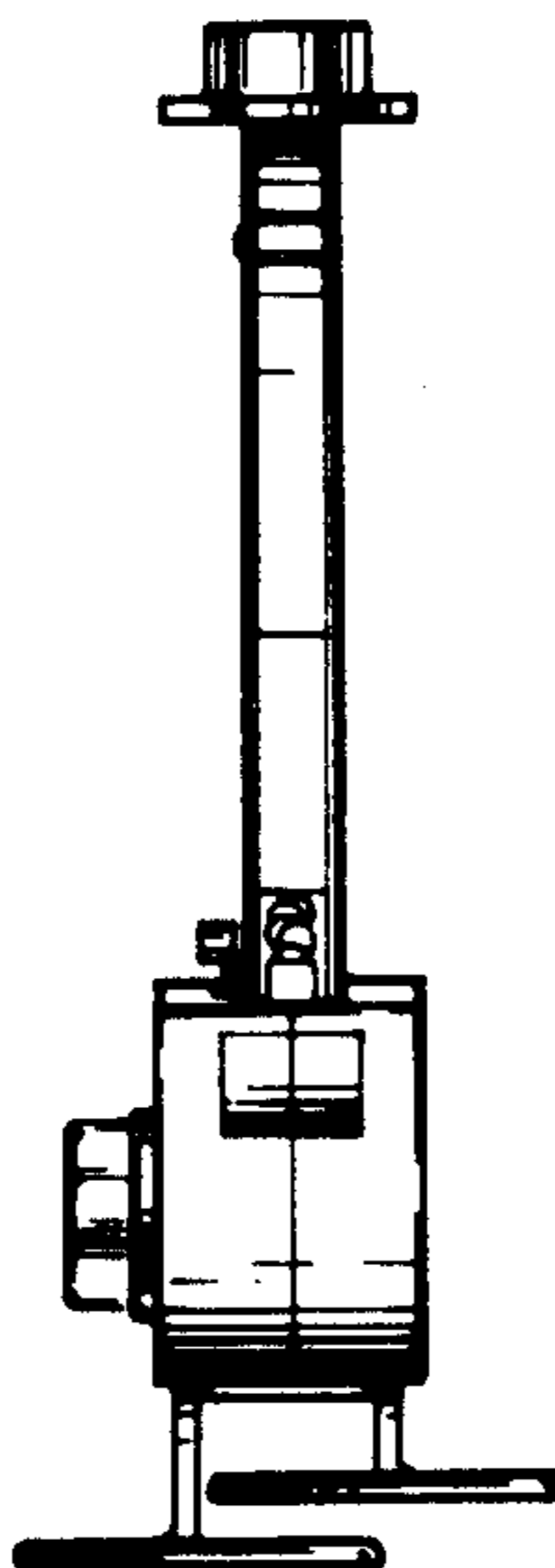


FIG.4

