

[54] PAPER BINDING

[56]

References Cited

[76] Inventors: Eugene Gerber, 12 Hampton Ct., Lake Success, N.Y. 11020; Sol Zaret, 11 Cedar La. North, Glen Head, N.Y. 11545

U.S. PATENT DOCUMENTS

D. 92,879	7/1934	Cant	D19/65
3,050,578	8/1962	Heubner	24/17 R
3,260,264	7/1966	McKowen	281/25 R
3,600,027	8/1971	Noland et al.	24/16 PB
3,779,429	12/1973	Porcelli	D9/281

[**] Term: 14 Years

Primary Examiner—Joel Stearman
Assistant Examiner—George P. Word
Attorney, Agent, or Firm—Kevin Redmond

[21] Appl. No.: 22,849

[57] CLAIM

[22] Filed: Mar. 22, 1979

The ornamental design for a paper binding, as shown and described.

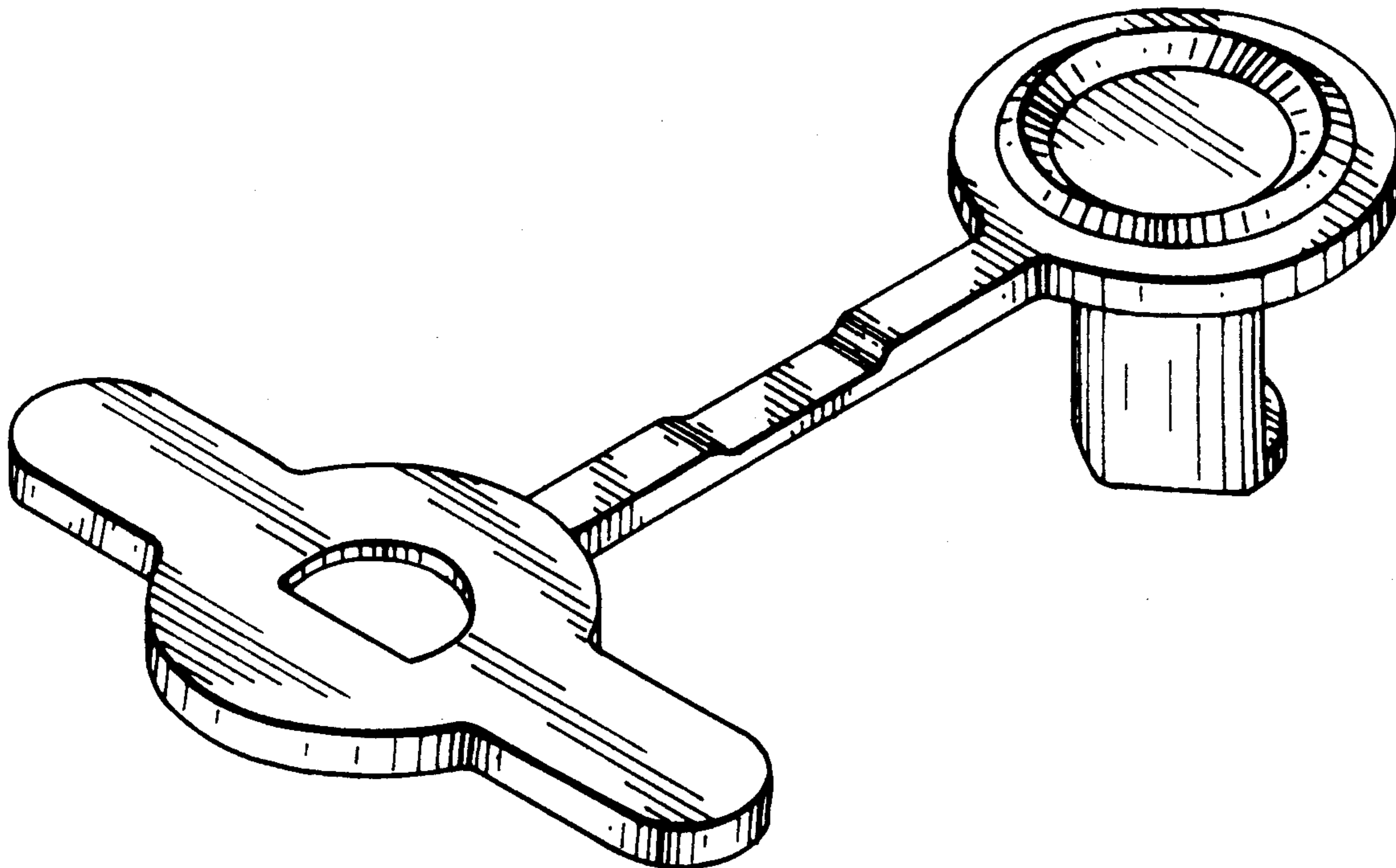
[51] Int. Cl. D19-99

DESCRIPTION

[52] U.S. Cl. D19/65

[58] Field of Search D19/65, 26, 27, 32; 24/67.1, 67.3, 67.5, 67.9, 153.1, 17 R, 150 FP, 17; 402/8, 13-15; D9/280, 281; 281/25 R

FIG. 1 is a perspective view of a paper binding showing our new design; and
FIG. 2 is an inverted perspective view thereof.



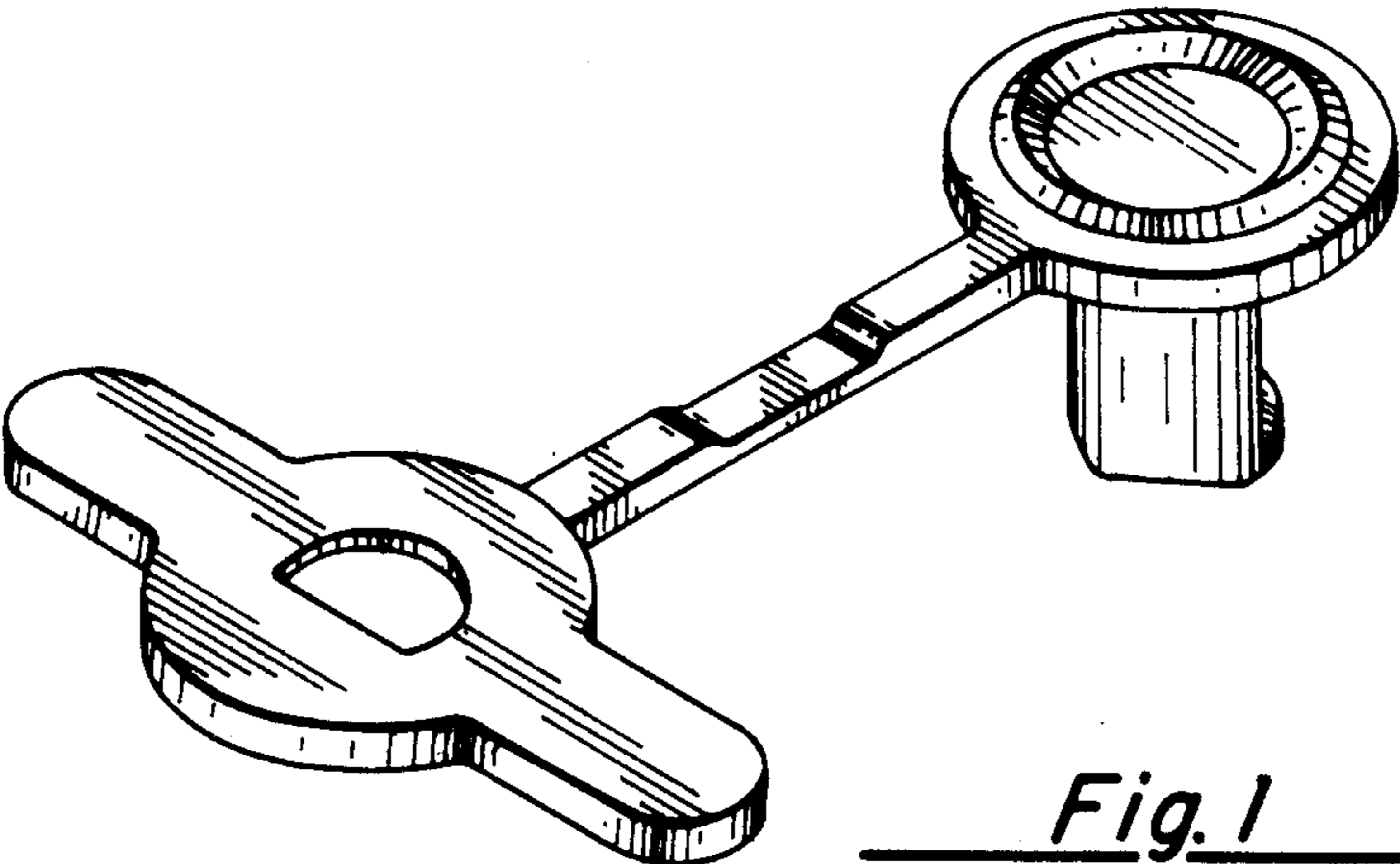


Fig. 1

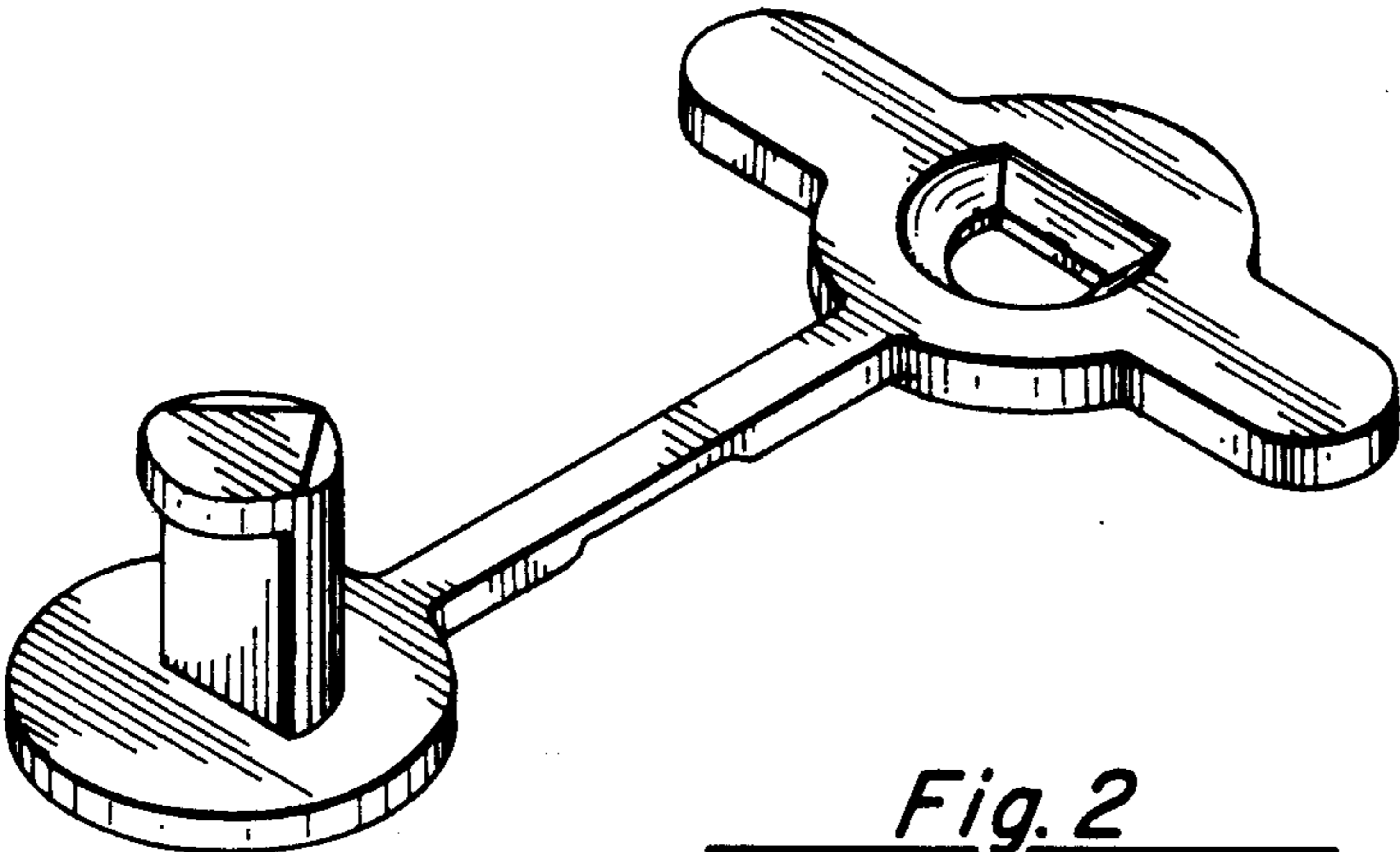


Fig. 2