

[54] SEWING MACHINE

[75] Inventor: Marcel Fresard, Geneva, Switzerland

[73] Assignee: Mefina S.A., Fribourg, Switzerland

[**] Term: 14 Years

[21] Appl. No.: 845,570

[22] Filed: Oct. 26, 1977

[30] Foreign Application Priority Data

May 13, 1977 [CH] Switzerland 109210/77

[51] Int. Cl. D15-06

[52] U.S. Cl. D15/70; D15/75; D15/76

[58] Field of Search D15/66, 68, 69, 70, D15/72, 75, 76; 112/258, 259, 260

[56] References Cited

U.S. PATENT DOCUMENTS

D. 224,943 10/1972 Fresard D15/70
4,036,158 7/1977 Fresard 112/258

Primary Examiner—Joel Stearman
Assistant Examiner—Carmen H. Vales
Attorney, Agent, or Firm—Emory L. Groff, Jr.

[57] CLAIM

The ornamental design for a sewing machine, substantially as shown and described.

DESCRIPTION

FIG. 1 is a front elevational view of a sewing machine showing my new design;
FIG. 2 is a rear elevational view thereof;
FIG. 3 is a right rear perspective view;
FIG. 4 is a left rear perspective view;
FIG. 5 is a top plan view thereof;
FIG. 6 is a bottom plan view thereof;
FIG. 7 is a front perspective view with the cover in exploded relationship; and
FIG. 8 is a rear perspective view in a second position of use.

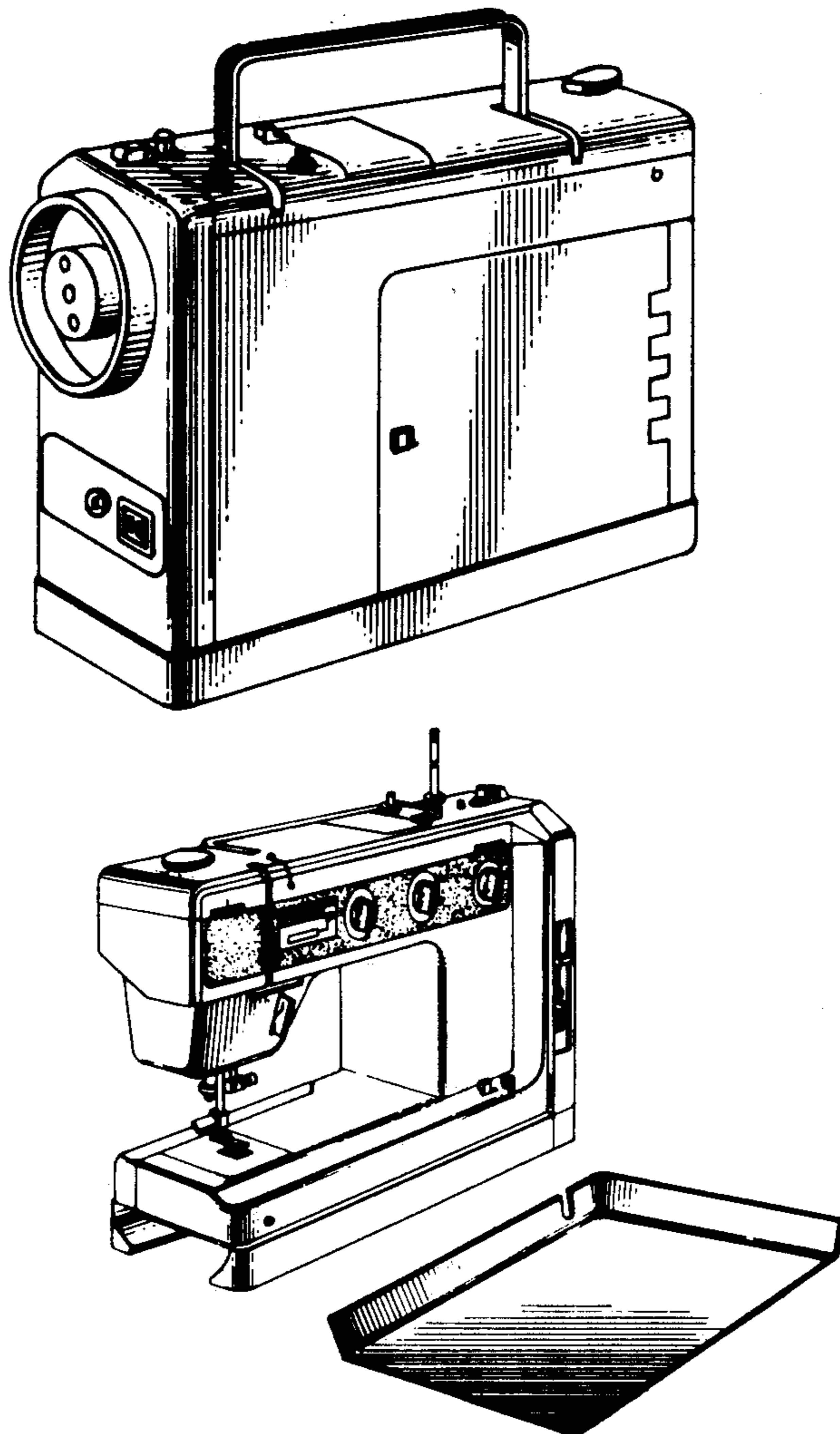


FIG. 1.

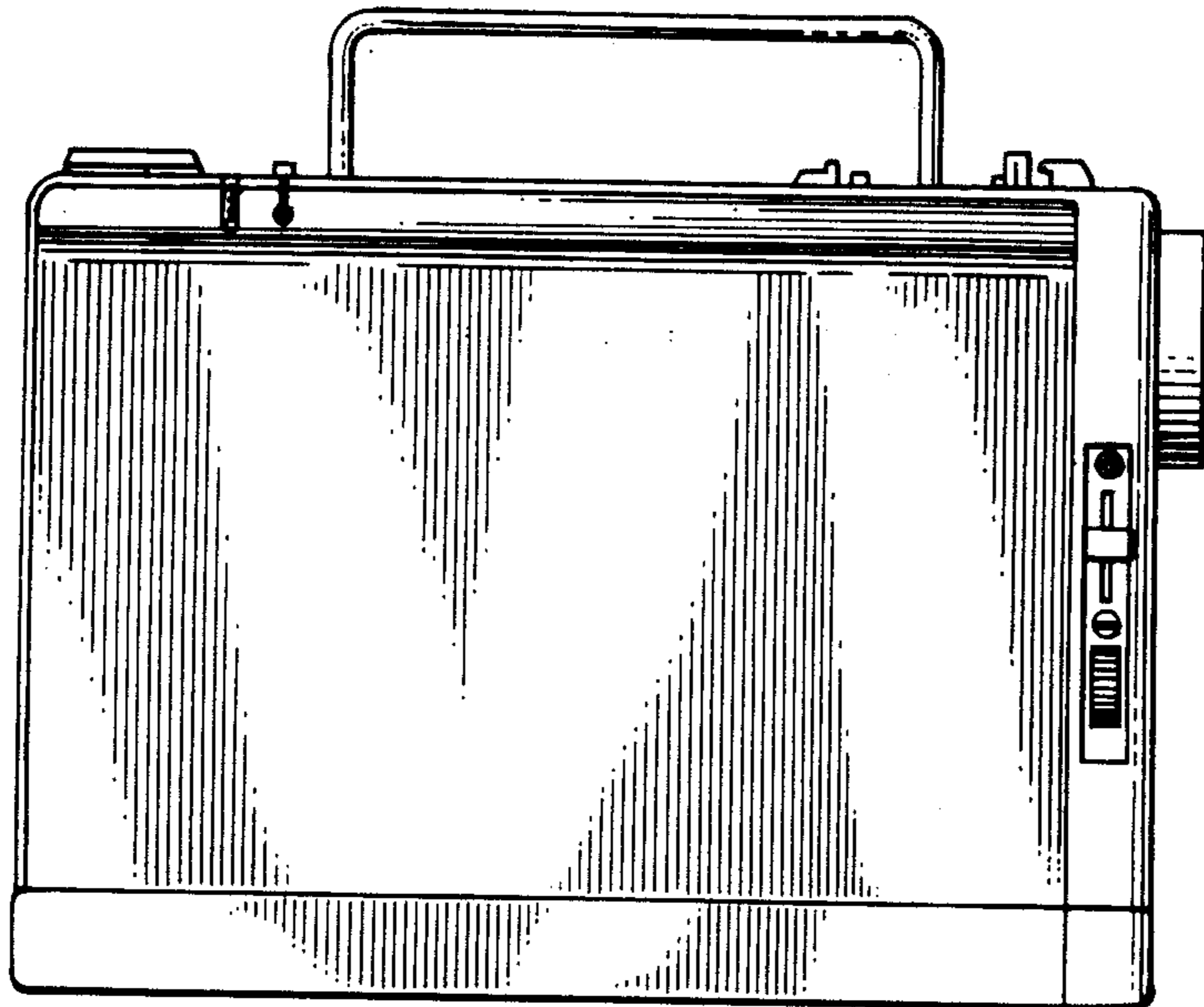


FIG. 2.

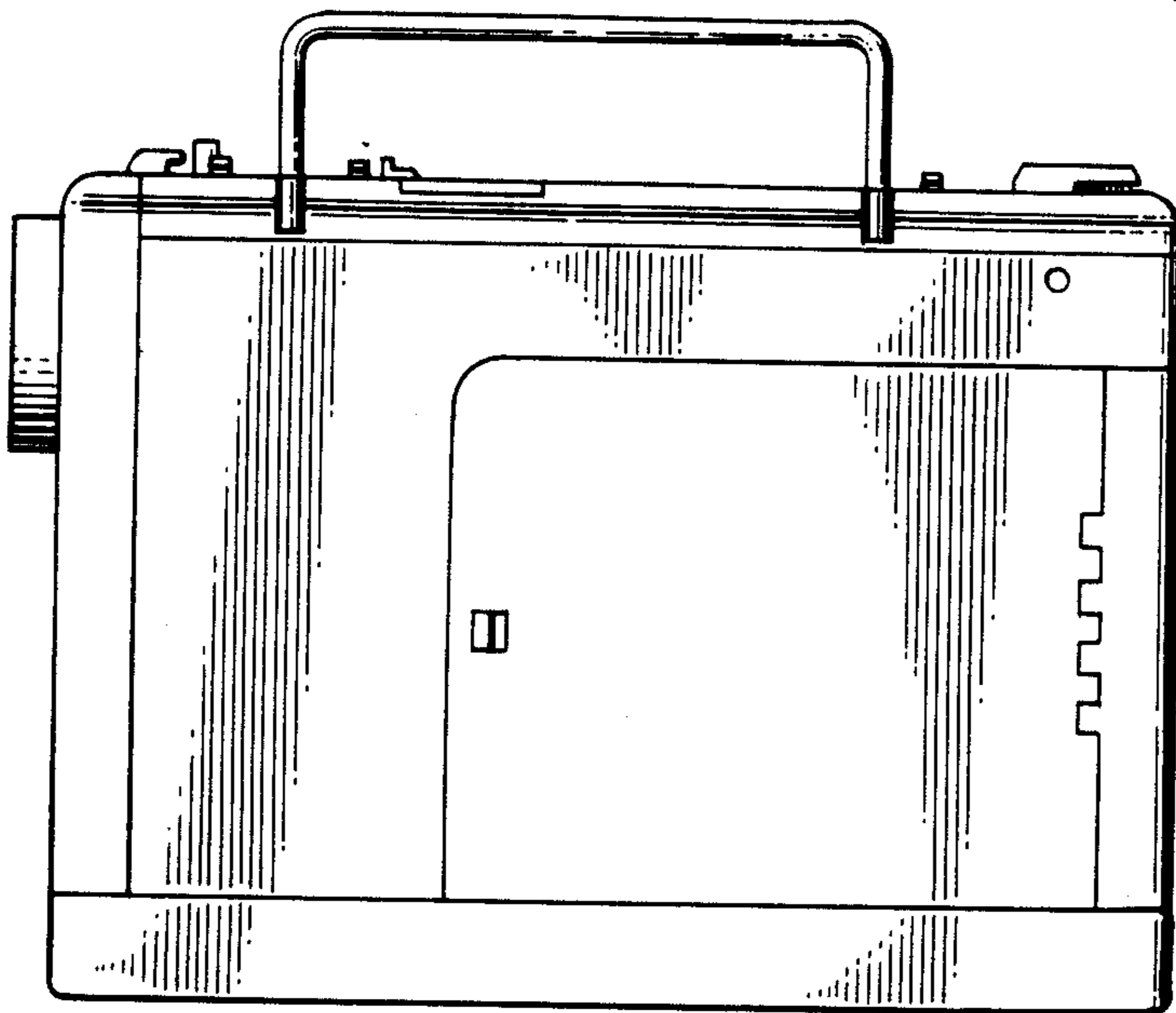


FIG. 3.

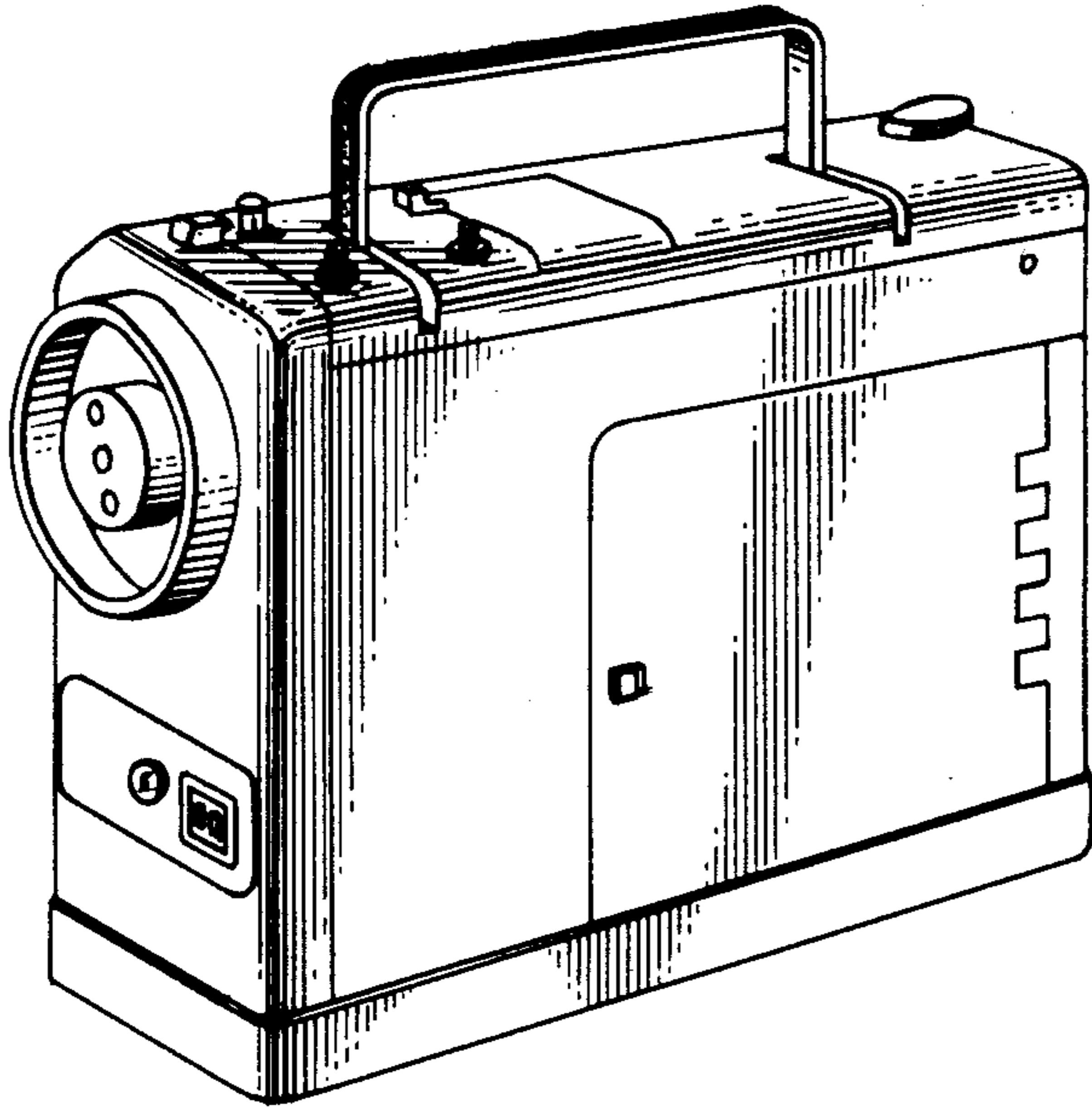


FIG. 4.

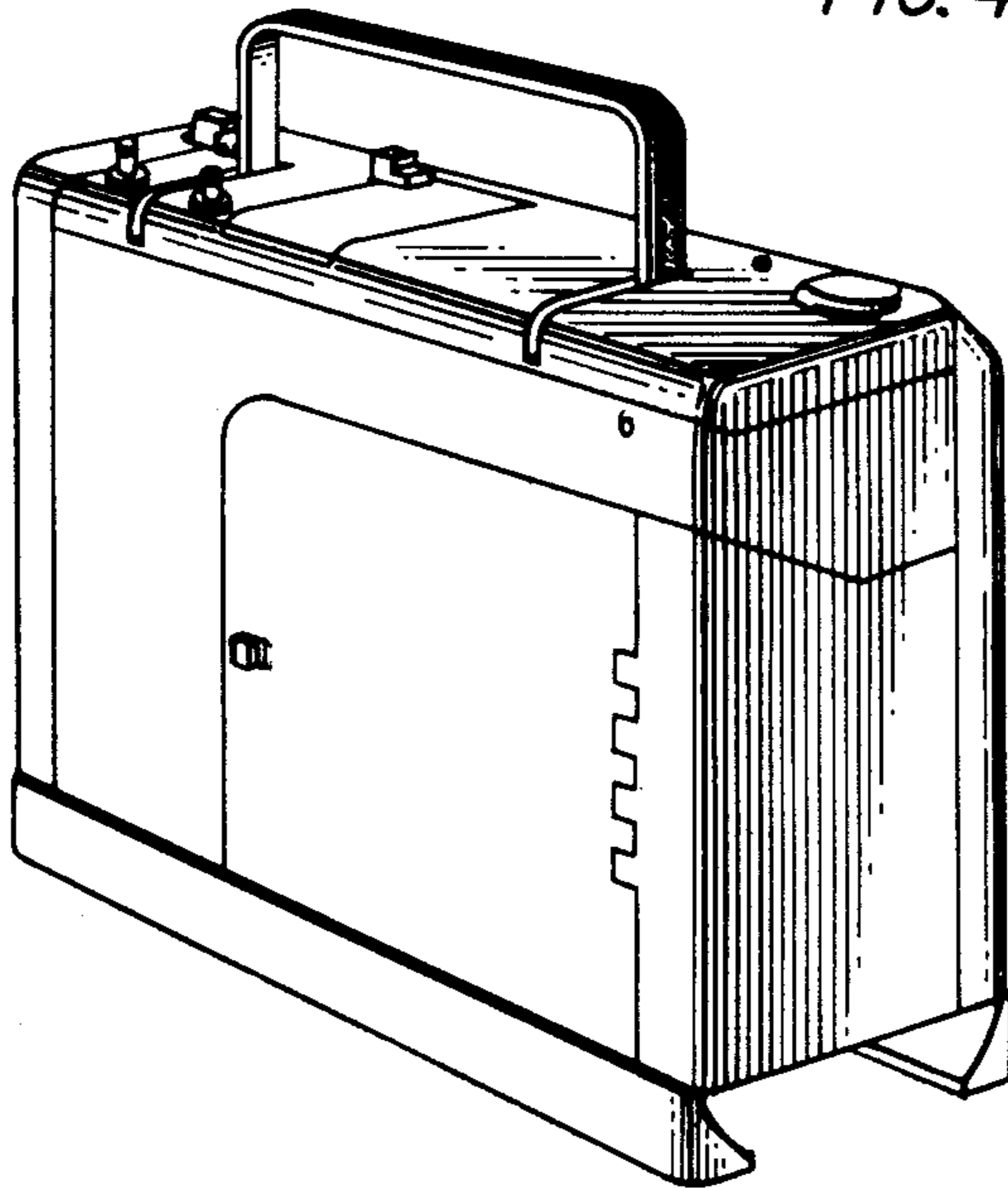


FIG. 5.

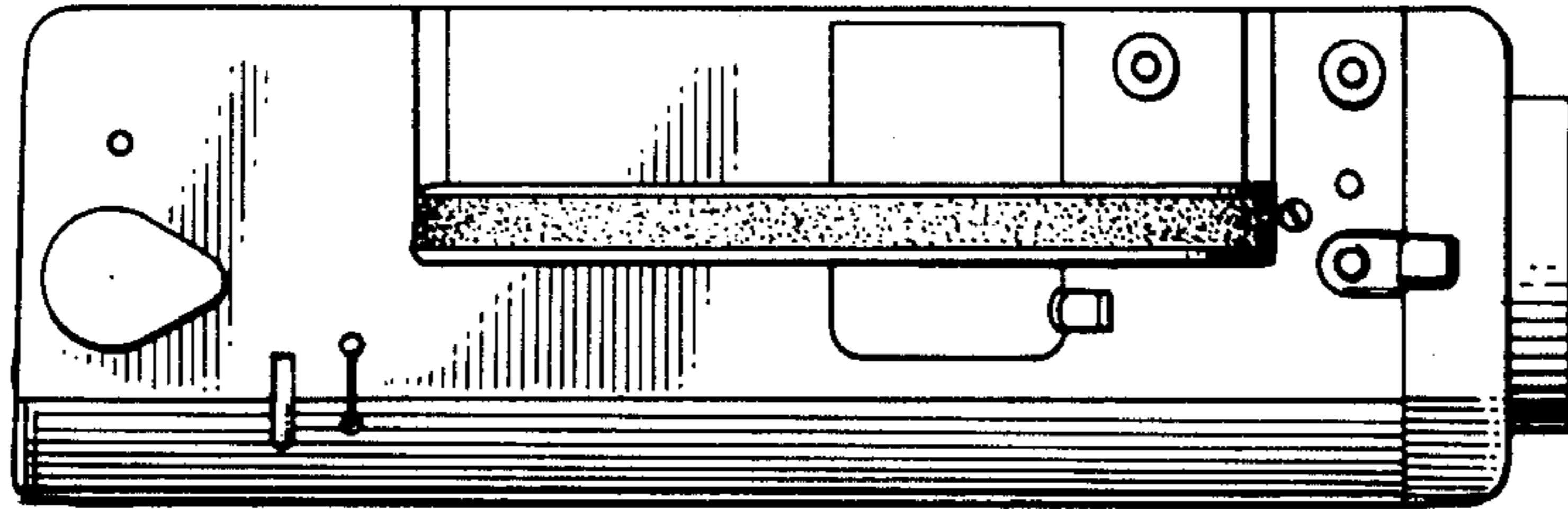


FIG. 6.

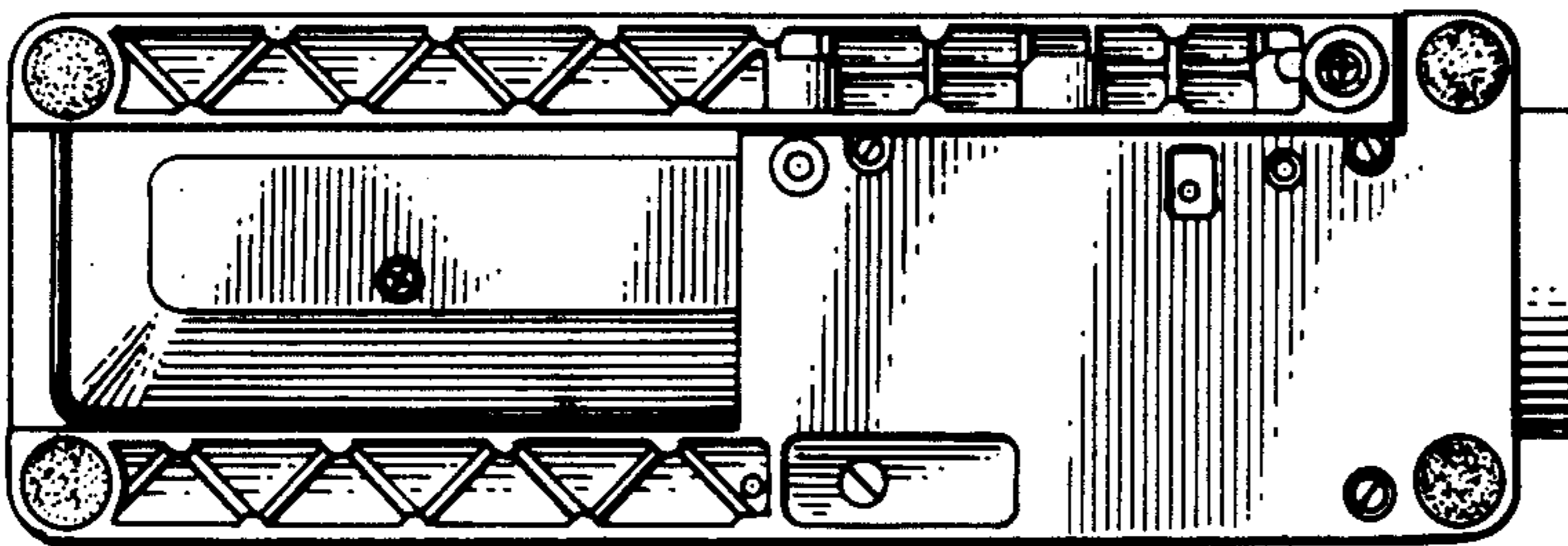


FIG. 7.

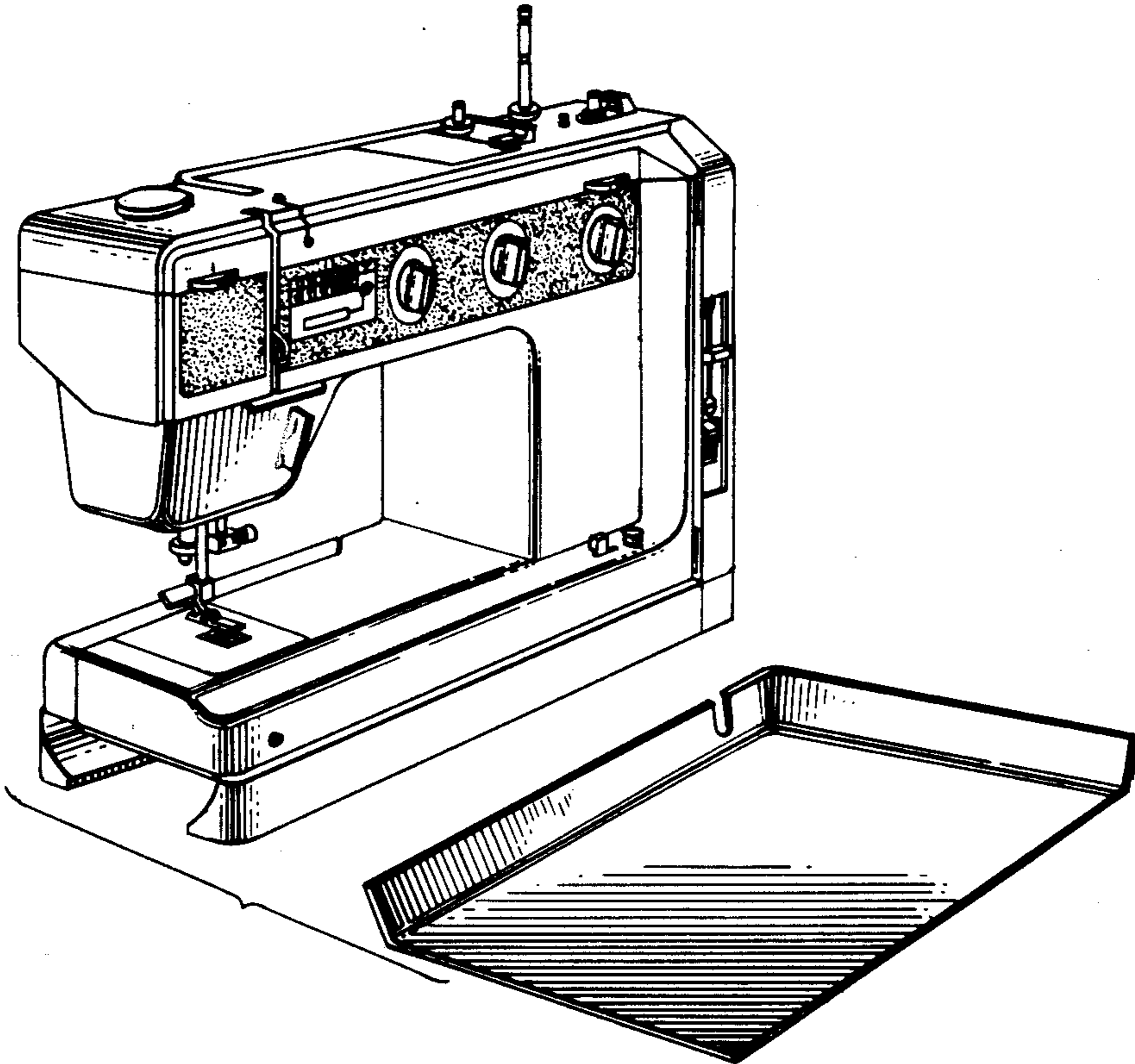


FIG. 8.

