

[54] **MOLDED INSULATING BASE FOR AN ELECTRICAL APPARATUS**

[75] Inventors: **David M. Evans, Palatine; Joel A. Ramos, Chicago, both of Ill.**

[73] Assignee: **S&C Electric Company, Chicago, Ill.**

[**] Term: **14 Years**

[21] Appl. No.: **901,966**

[22] Filed: **May 1, 1978**

[51] Int. Cl. **D13-03**

[52] U.S. Cl. **D13/17; D13/18**

[58] Field of Search **D13/11, 17, 18; 337/156, 169, 180, 186, 171, 174, 191; 200/144, 146 R, 149 R; 361/117, 121-126; 174/176, 212, 177**

[56] **References Cited**

U.S. PATENT DOCUMENTS

2,084,866	6/1937	Plimpton	174/212
2,883,448	4/1959	Hermann	174/176
3,294,892	12/1966	Curtis	361/117

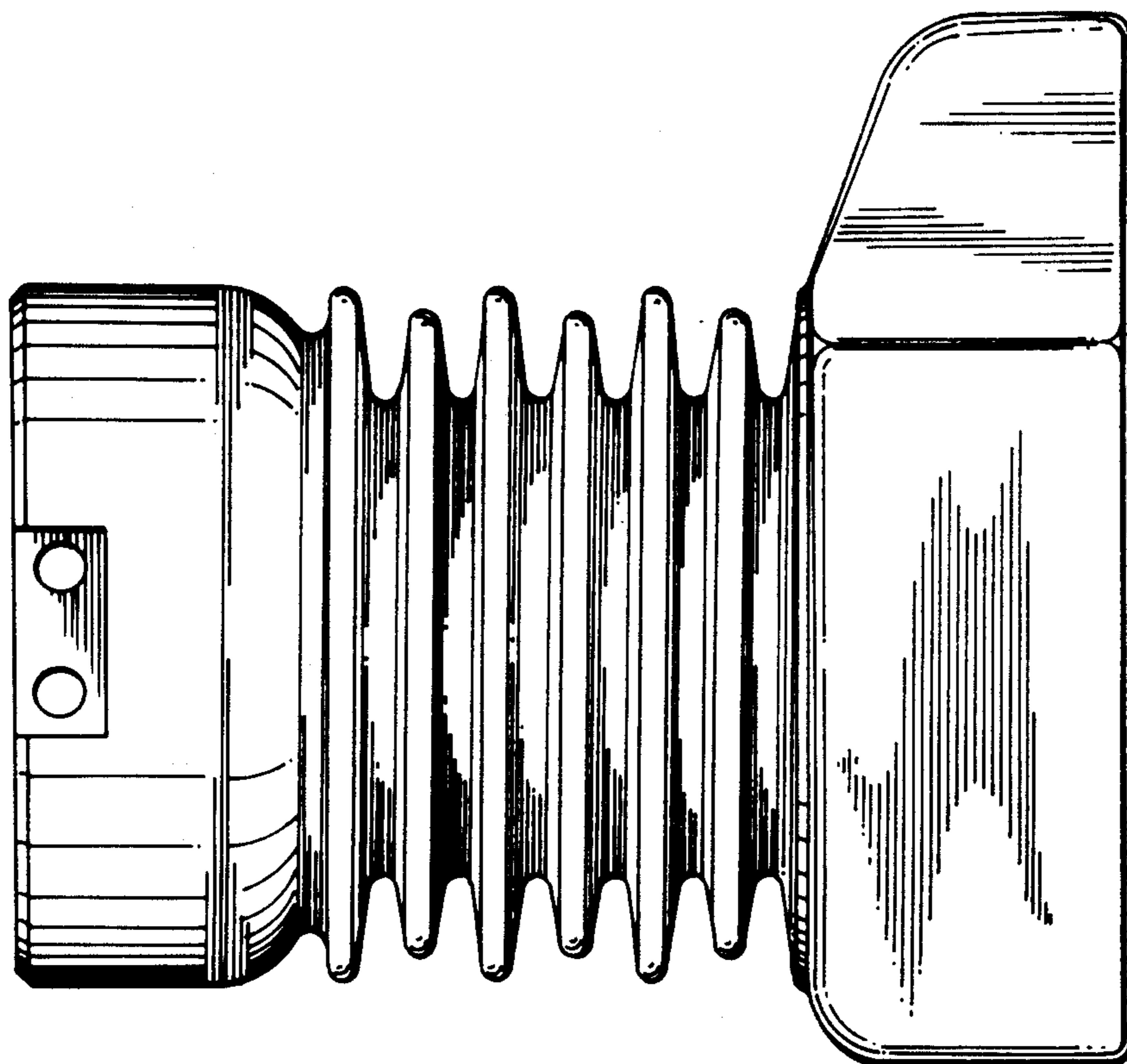
Primary Examiner—W. Stallard
Attorney, Agent, or Firm—John D. Kaufmann

[57] **CLAIM**

The ornamental design for a molded insulating base for an electrical apparatus, substantially as shown and described.

DESCRIPTION

FIG. 1 is a side elevational view of a molded insulating base for electrical apparatus according to this invention; FIG. 2 is a top view of the base of FIG. 1; FIG. 3 is a bottom view of the base of FIG. 1; FIG. 4 is a side elevational view of the base of FIG. 1 inverted about its horizontal axis; FIG. 5 is a front elevational view of the base of FIG. 1; FIG. 6 is a back elevational view of the base of FIG. 1.



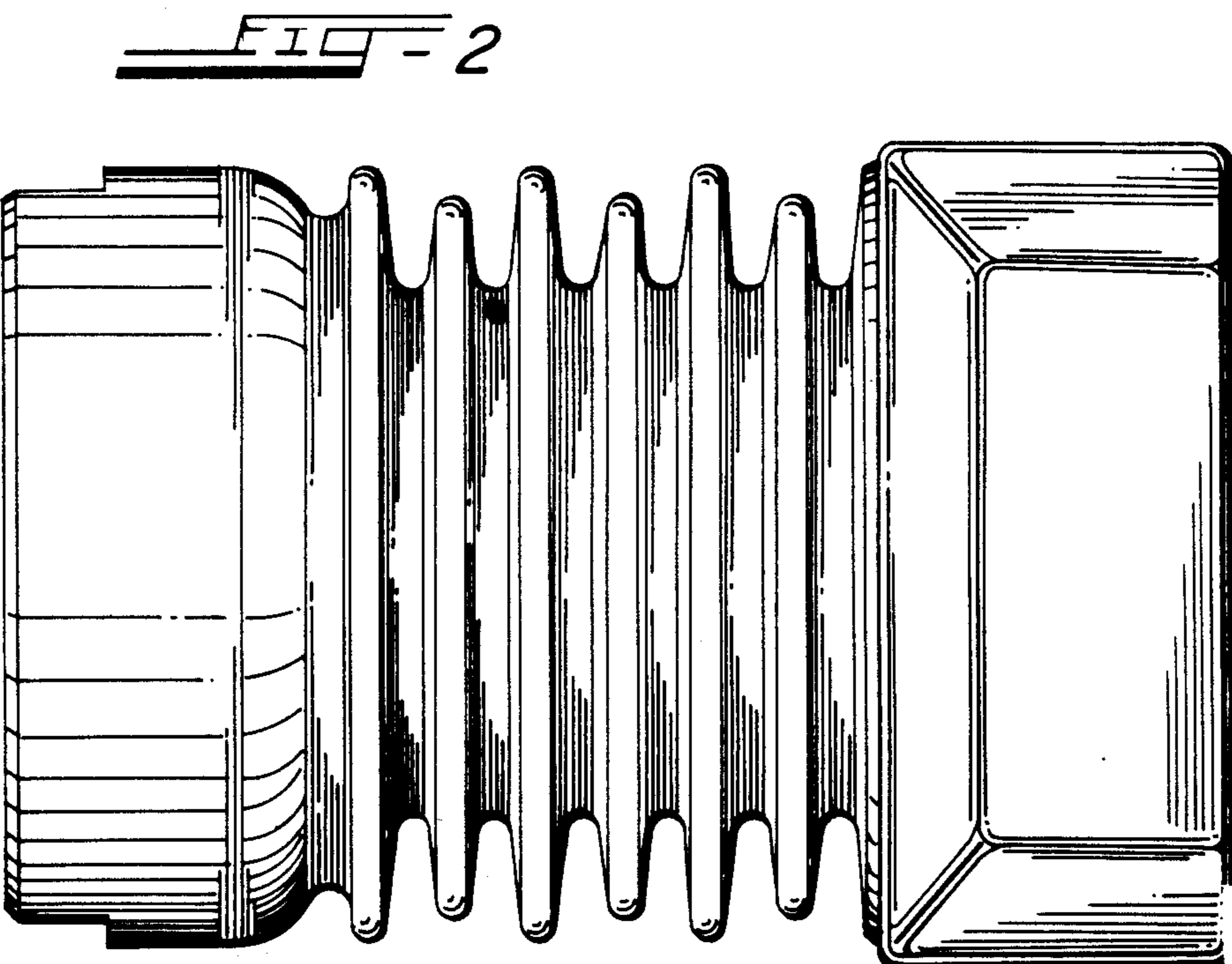
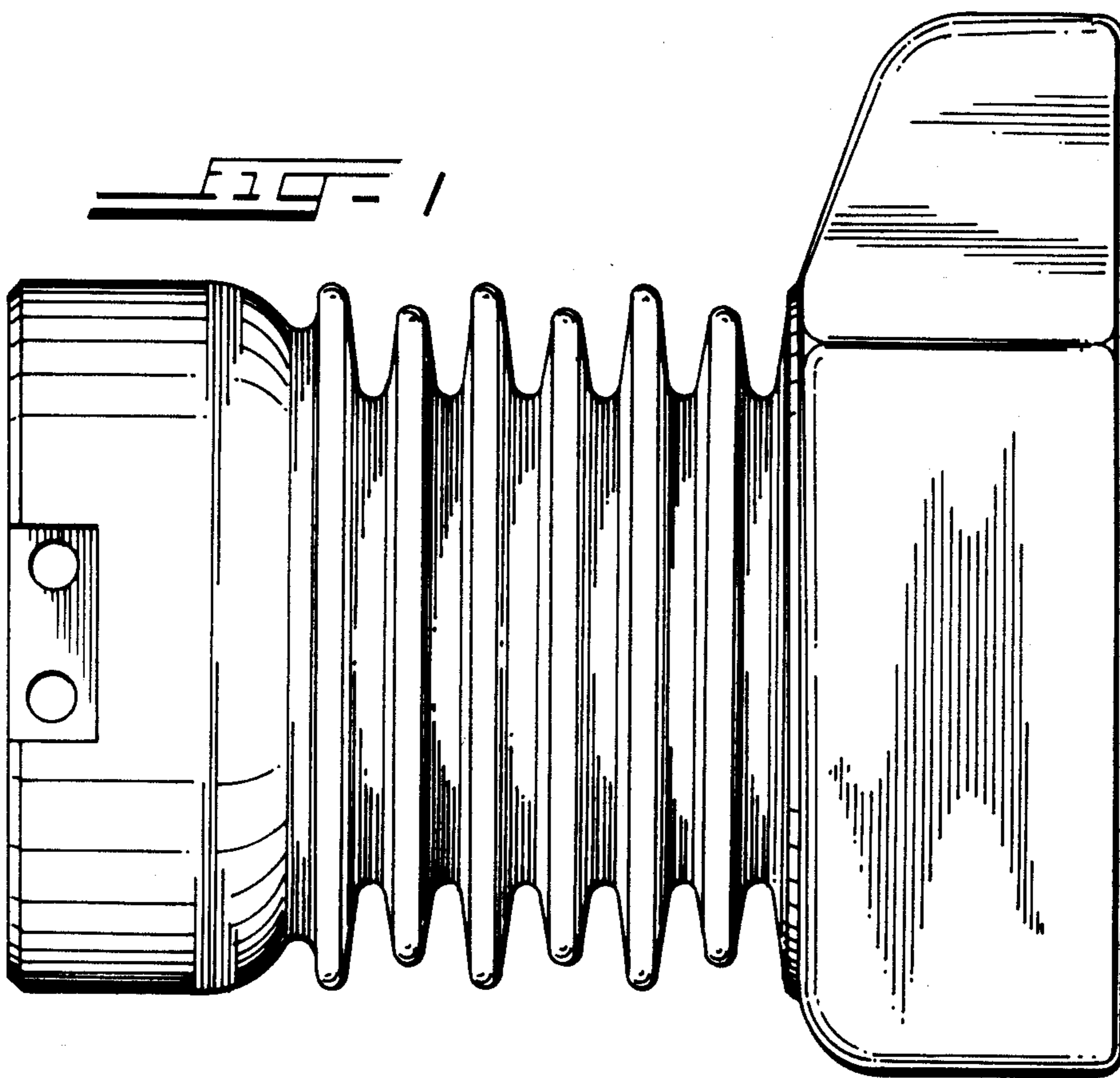


FIG-3

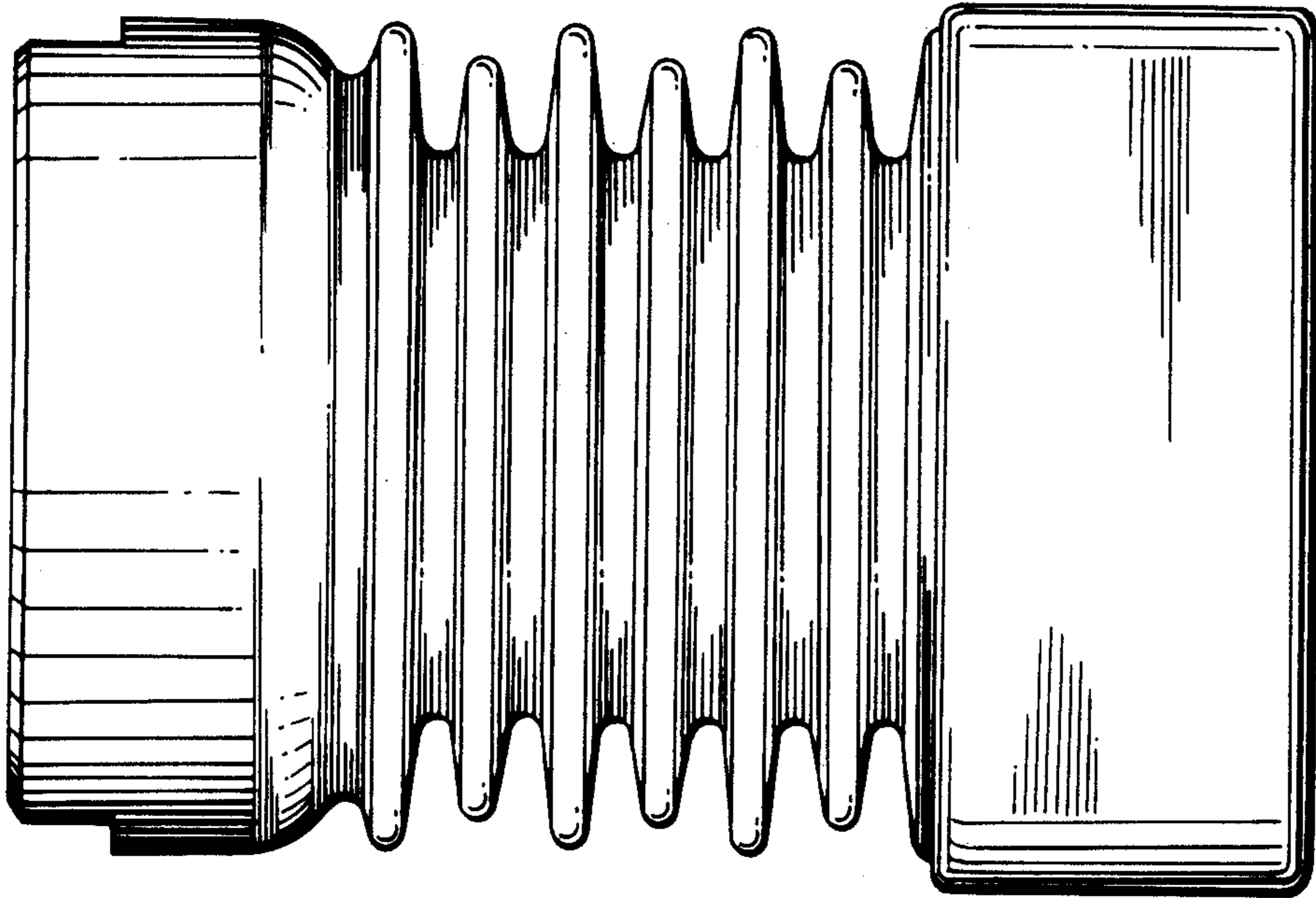


FIG-4

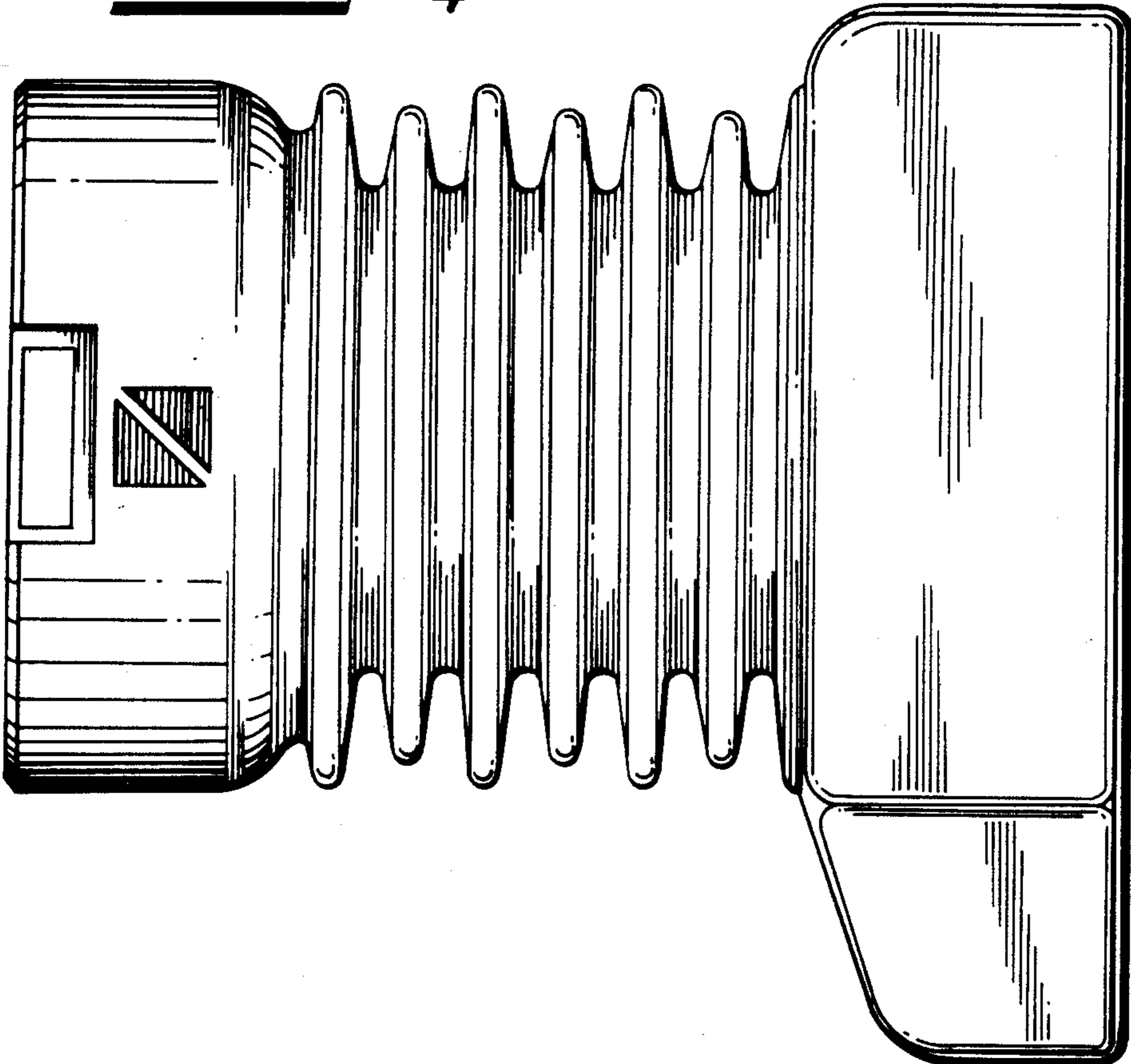


FIG-6

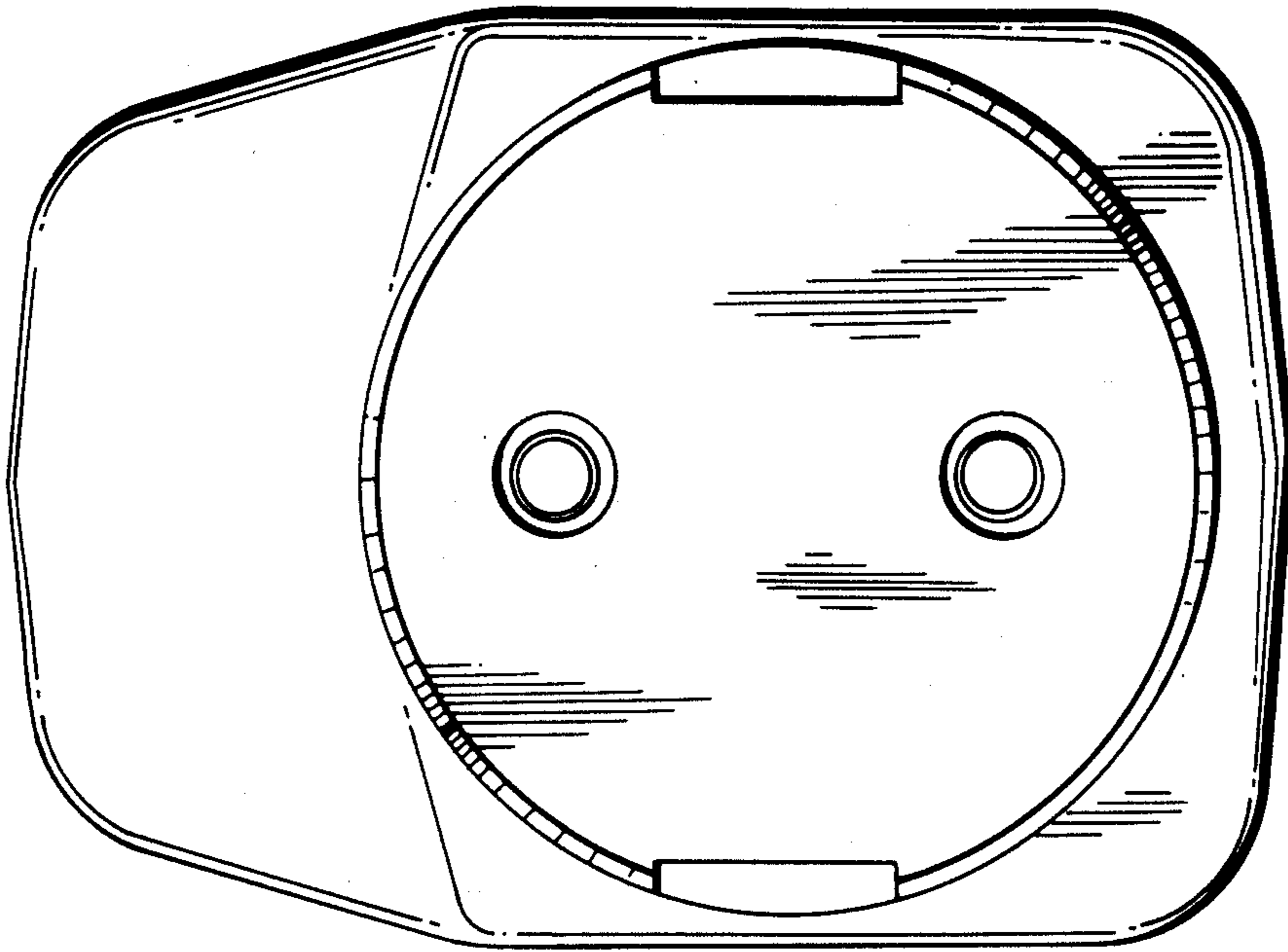


FIG-5

