

[54] **BASE-MOUNTED HIGH VOLTAGE CIRCUIT INTERRUPTER**

2,883,448 4/1959 Hermann ..... 174/176  
3,586,913 6/1971 Olsen ..... 361/117

[75] Inventor: **David M. Evans, Palatine, Ill.**

*Primary Examiner*—W. Stallard  
*Attorney, Agent, or Firm*—John D. Kaufmann

[73] Assignee: **S&C Electric Company, Chicago, Ill.**

[57] **CLAIM**

[\*\*] Term: **14 Years**

The ornamental design for a base-mounted high voltage circuit interrupter, substantially as shown and described.

[21] Appl. No.: **901,968**

[22] Filed: **May 1, 1978**

[51] Int. Cl. .... **D13—03**

[52] U.S. Cl. .... **D13/11; D13/17; D13/18**

[58] Field of Search ..... **D13/11, 17, 18; 337/156, 169, 180, 186, 171, 174, 191; 200/144, 146 R, 149 R; 361/117, 121-126; 174/176, 177, 212**

**DESCRIPTION**

FIG. 1 is a side, elevational view of a base-mounted high voltage circuit interrupter according to this invention, a generalized terminal pad being shown by broken lines;

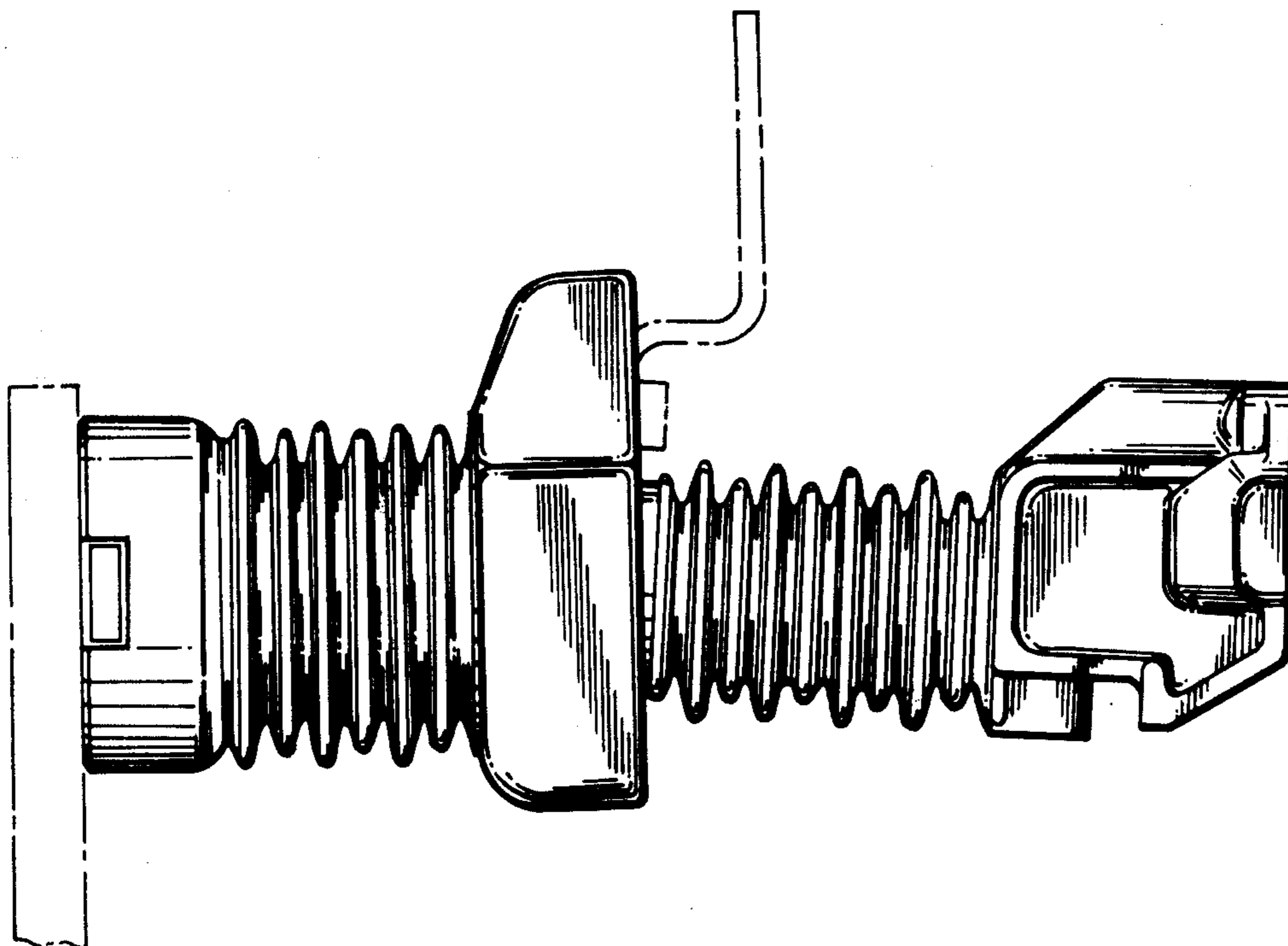
FIG. 2 is a top view of the circuit interrupter of FIG. 1; FIG. 3 is a bottom view of the circuit interrupter of FIG. 1;

FIG. 4 is a front elevational view of the circuit interrupter of FIG. 1;

FIG. 5 is a rear elevational view of the circuit interrupter of FIG. 1.

[56] **References Cited**  
**U.S. PATENT DOCUMENTS**

D. 194,357 1/1963 Lantz ..... D13/18



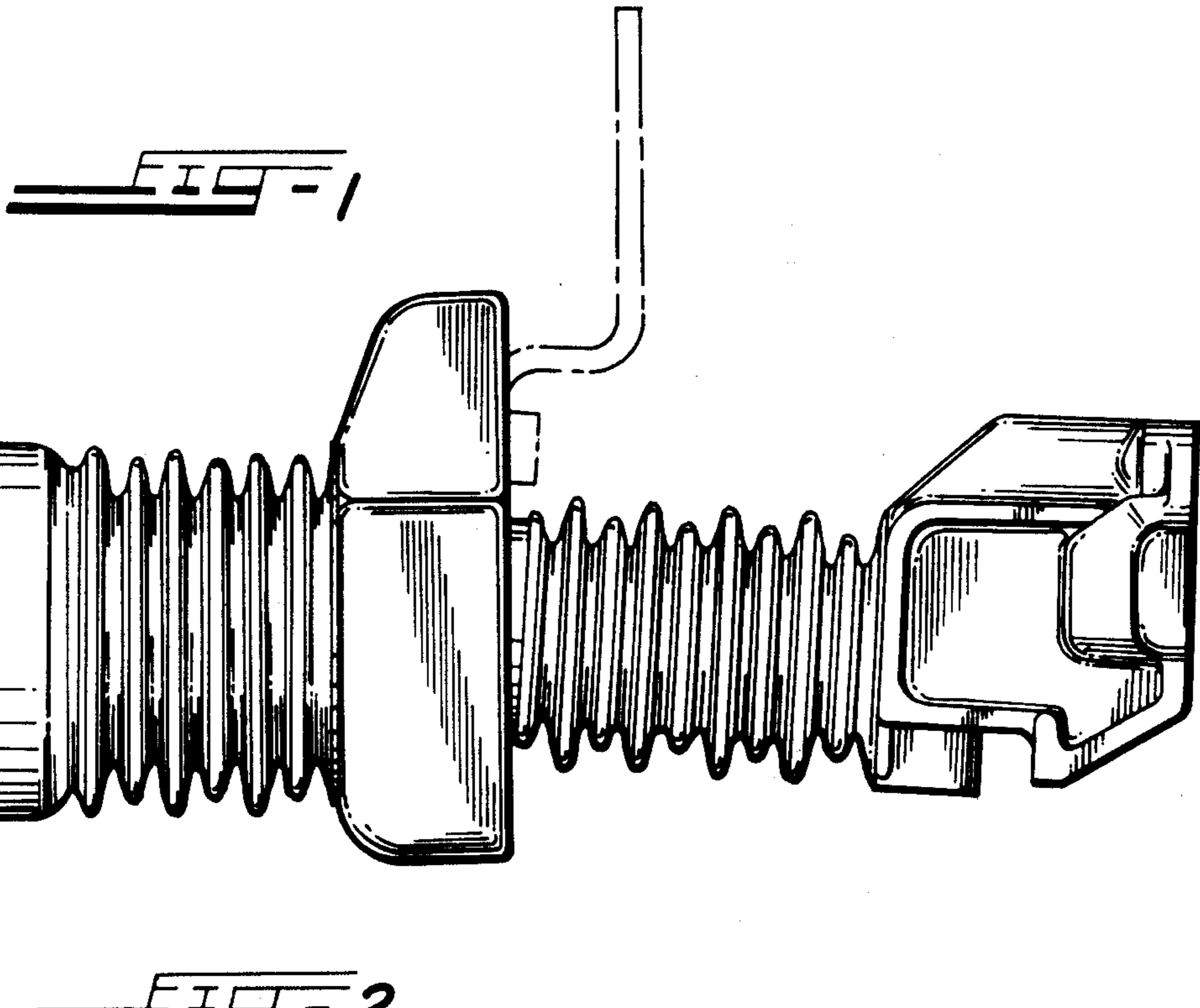


FIG. 2

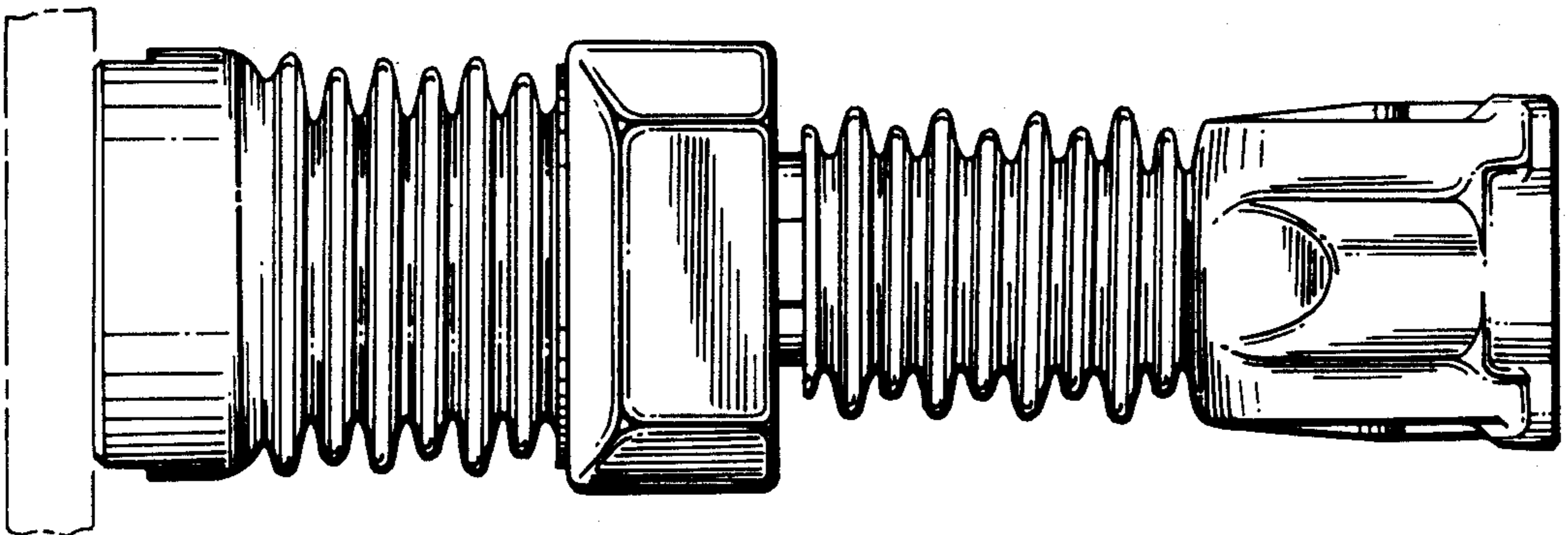
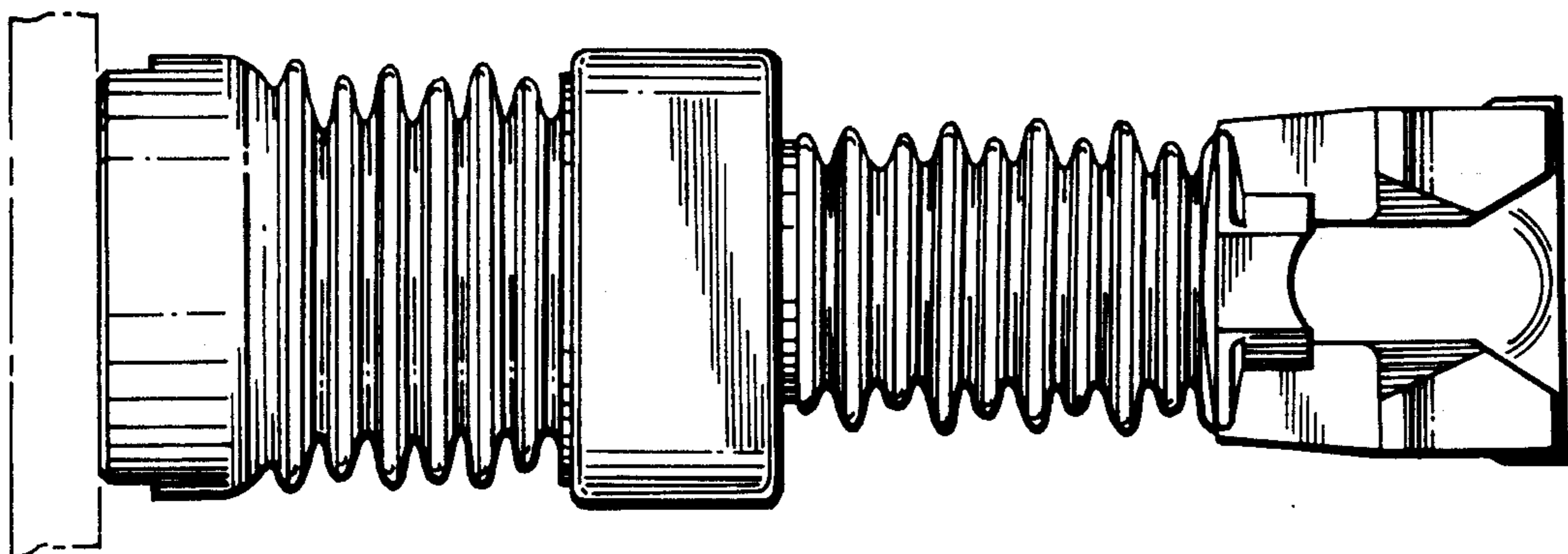
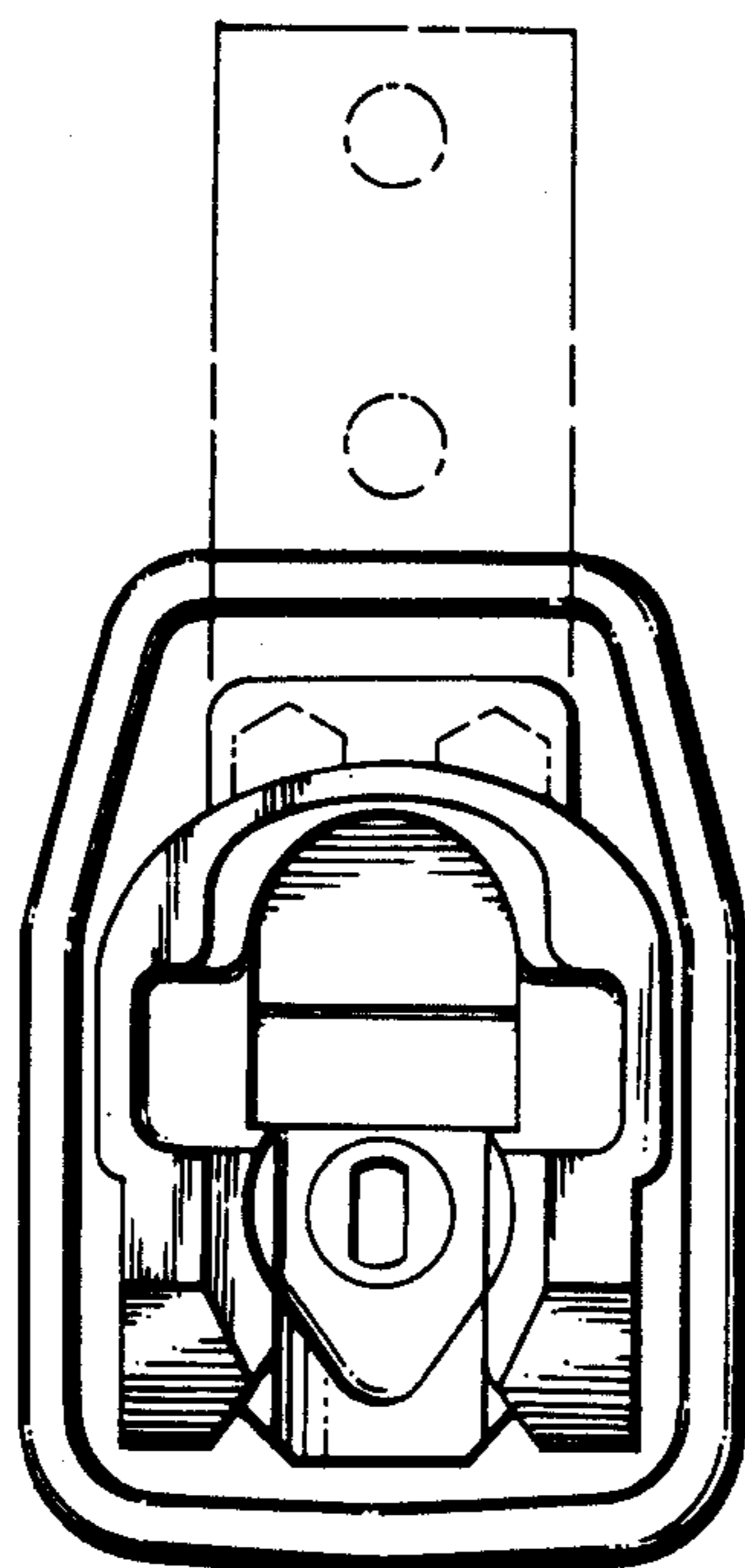


FIG. 3



**FIG - 4**



**FIG 5**

