

[54] HOUSING FOR ELECTRICAL APPARATUS

[75] Inventor: David M. Evans, Palatine, Ill.

[73] Assignee: S&C Electric Company, Chicago, Ill.

[**] Term: 14 Years

[21] Appl. No.: 901,965

[22] Filed: May 1, 1978

[51] Int. Cl. D13-03

[52] U.S. Cl. D13/11; D13/17;
D13/18

[58] Field of Search D13/11, 17, 18;
337/156, 169, 180, 186, 171, 174, 191; 200/144,
146 R, 149 R; 361/117, 121-126; 174/176, 177,
212

[56]

References Cited

U.S. PATENT DOCUMENTS

D. 194,357	1/1963	Lantz	D13/18
3,294,892	12/1966	Curtis	361/117
3,586,913	6/1971	Olsen	361/117
3,869,650	3/1975	Cunningham et al.	361/117

Primary Examiner—W. Stallard

Attorney, Agent, or Firm—John D. Kaufmann

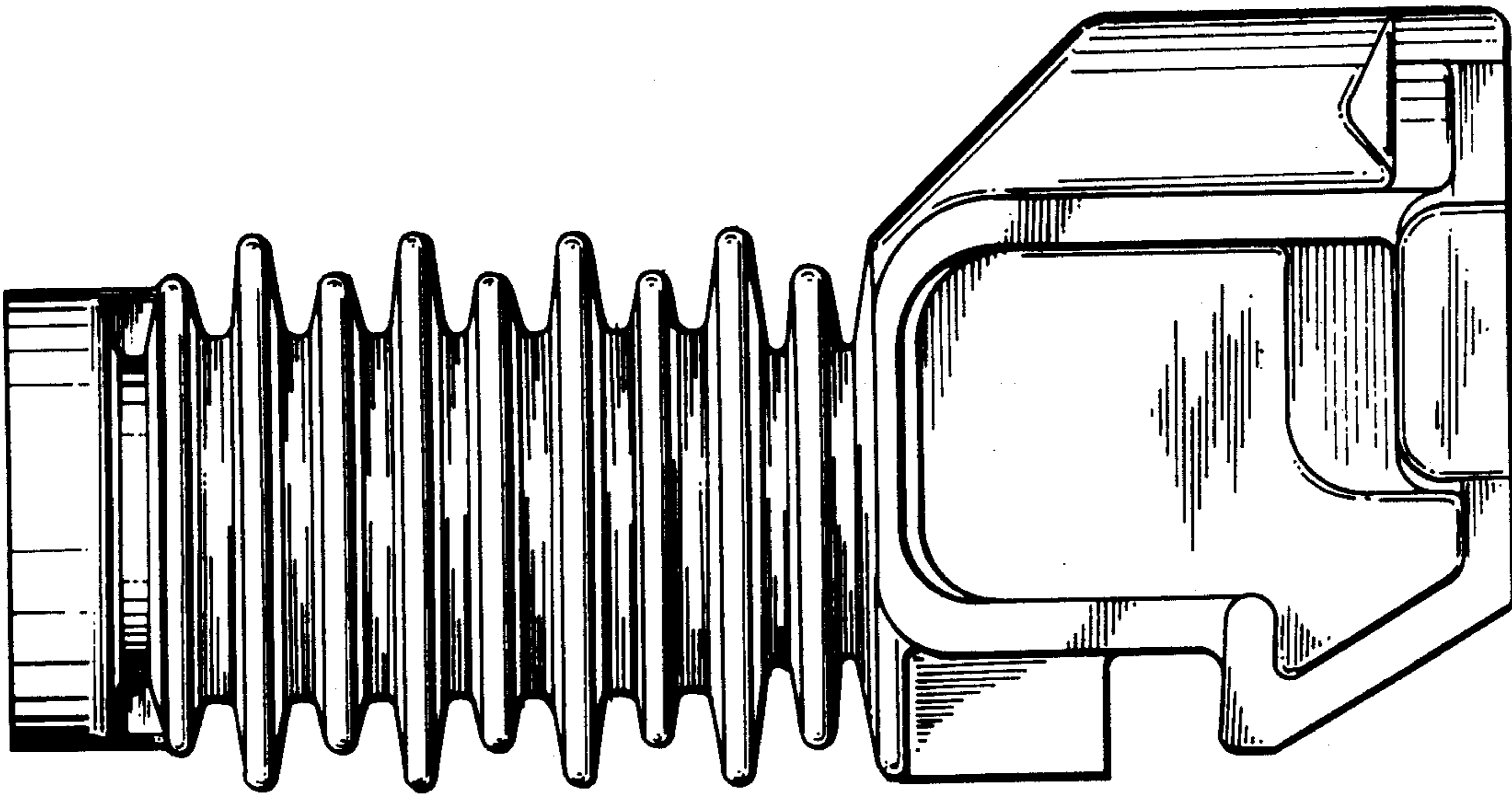
[57]

CLAIM

The ornamental design for a housing for electrical apparatus, substantially as shown and described.

DESCRIPTION

FIG. 1 is a side elevational view of a housing for electrical apparatus according to the present invention; FIG. 2 is a top view of the housing in FIG. 1; FIG. 3 is a bottom view of the housing in FIG. 1; FIG. 4 is a front elevational view of the housing in FIG. 1; FIG. 5 is a rear elevational view of the housing in FIG. 1.



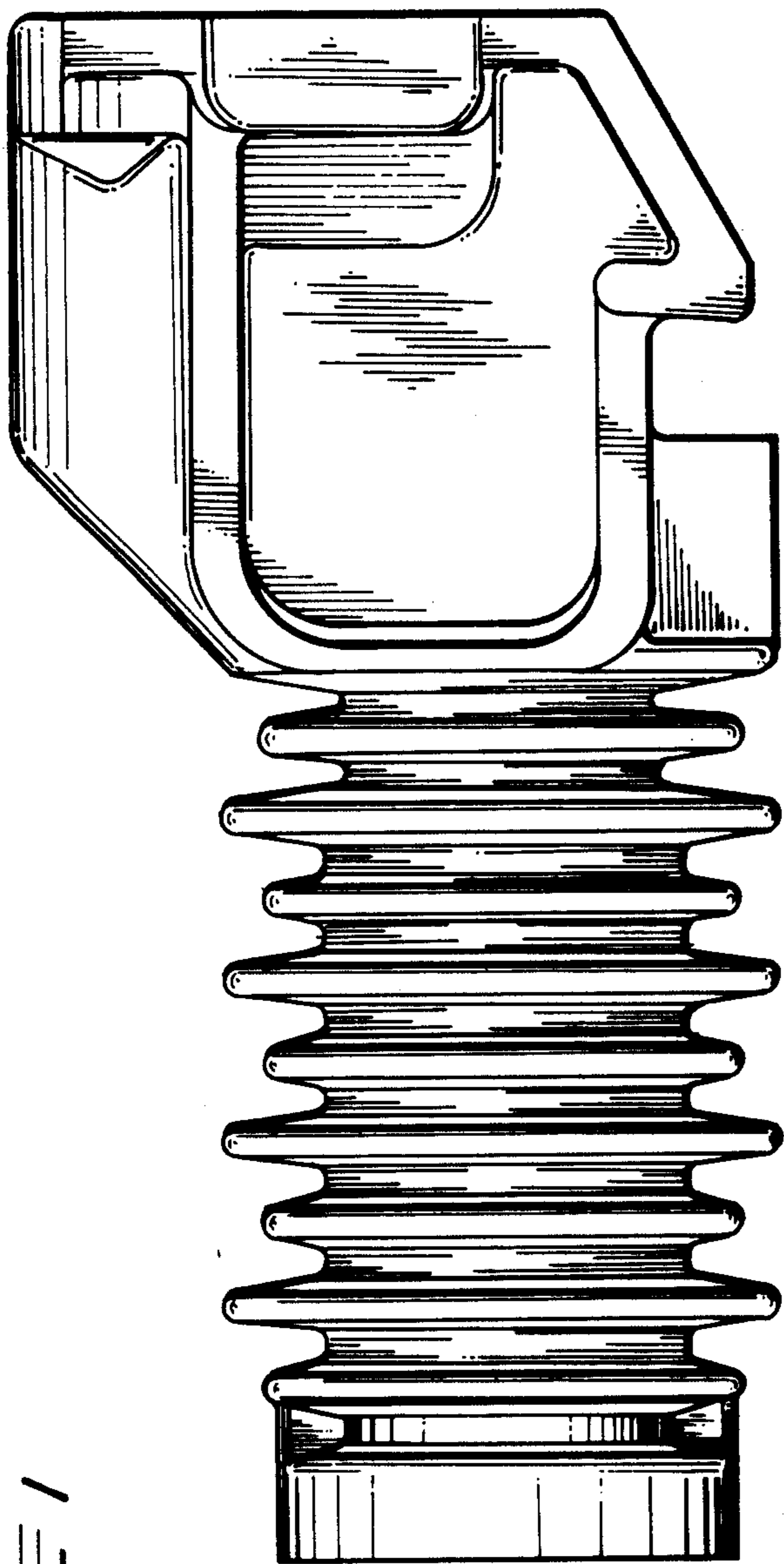


FIG - 1

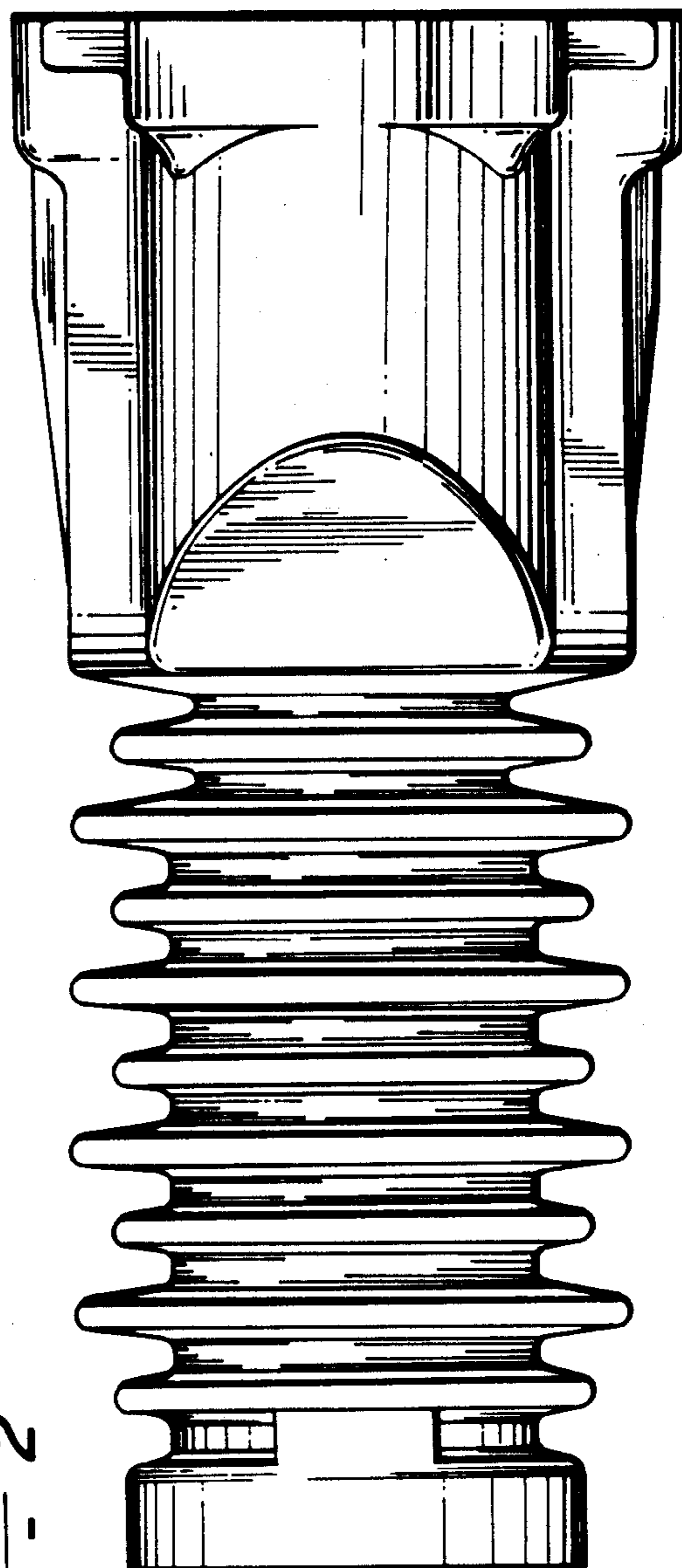


FIG - 2

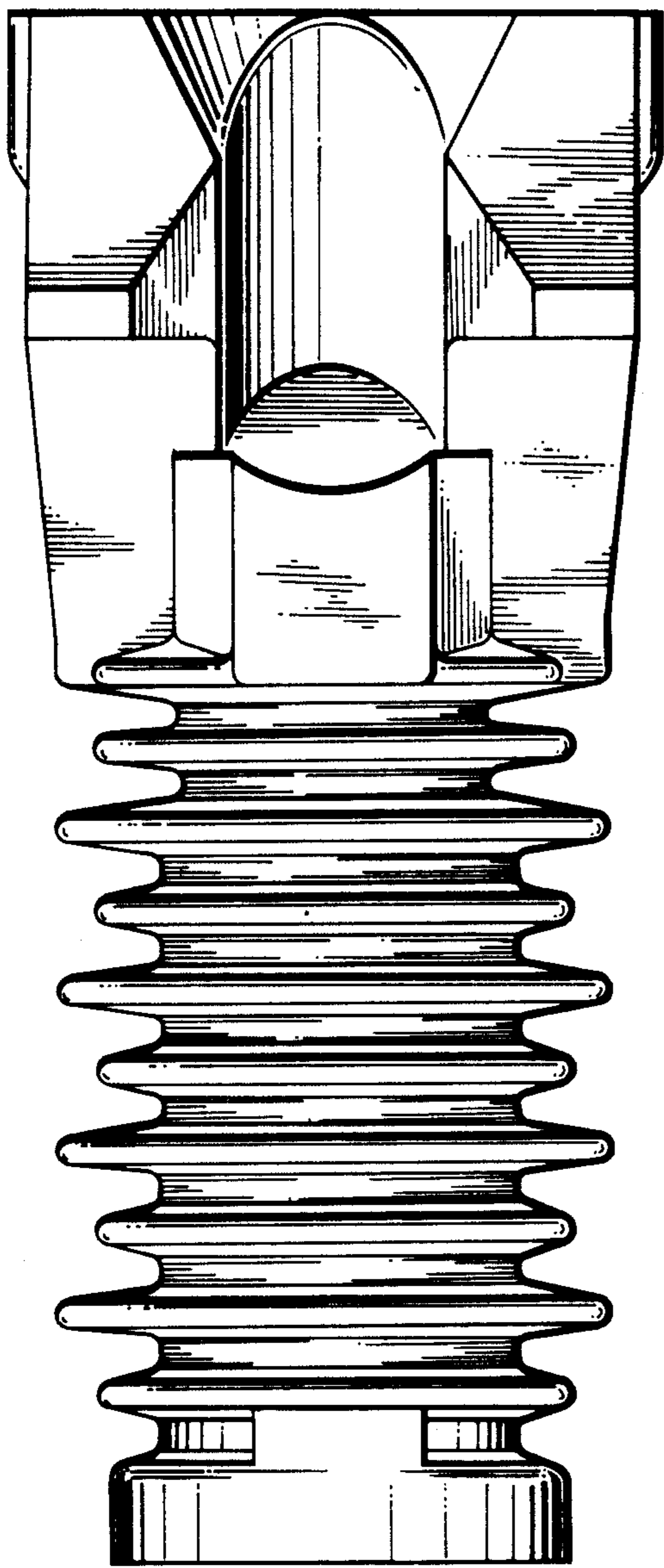


FIG - 3

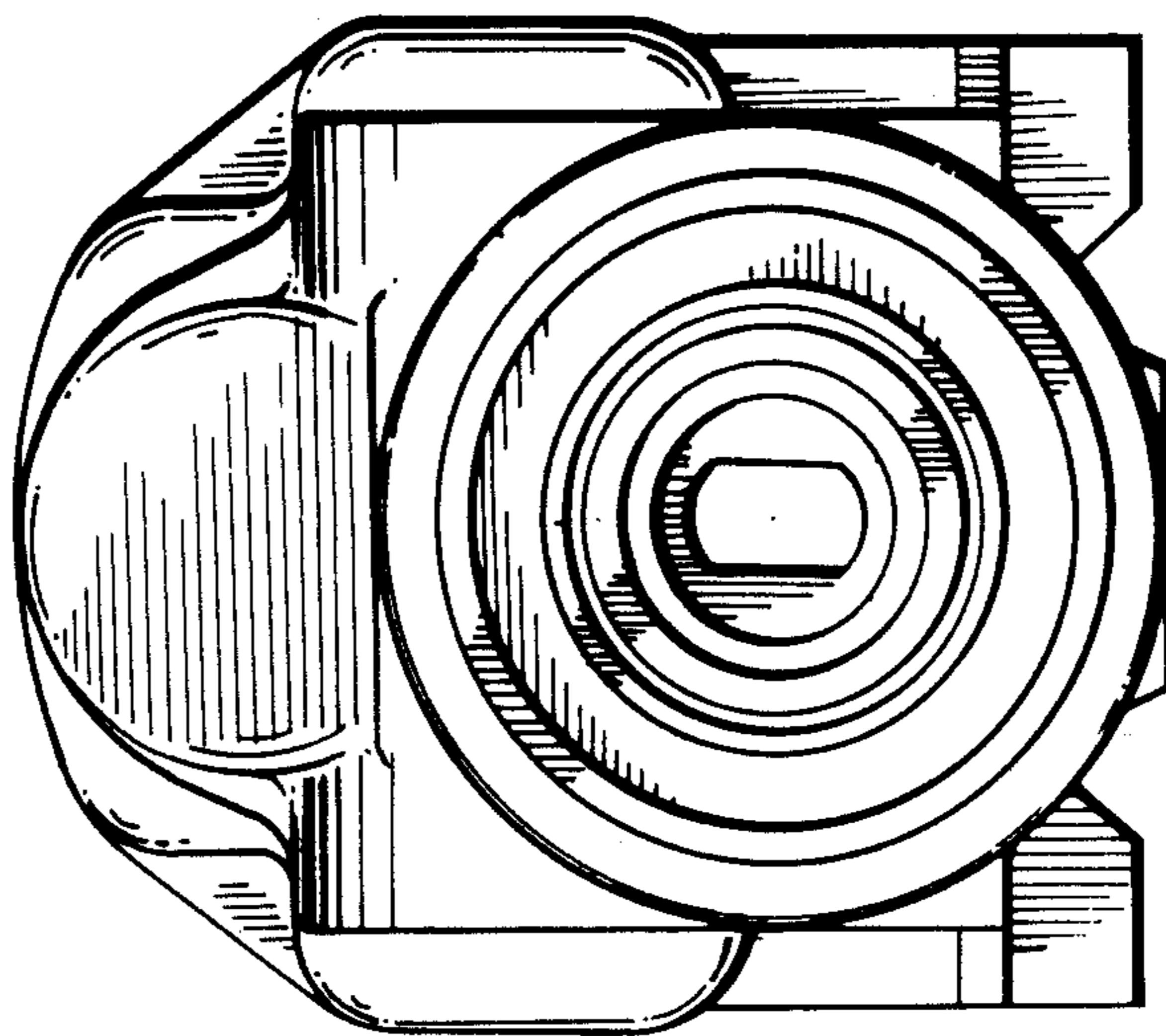


FIG - 5

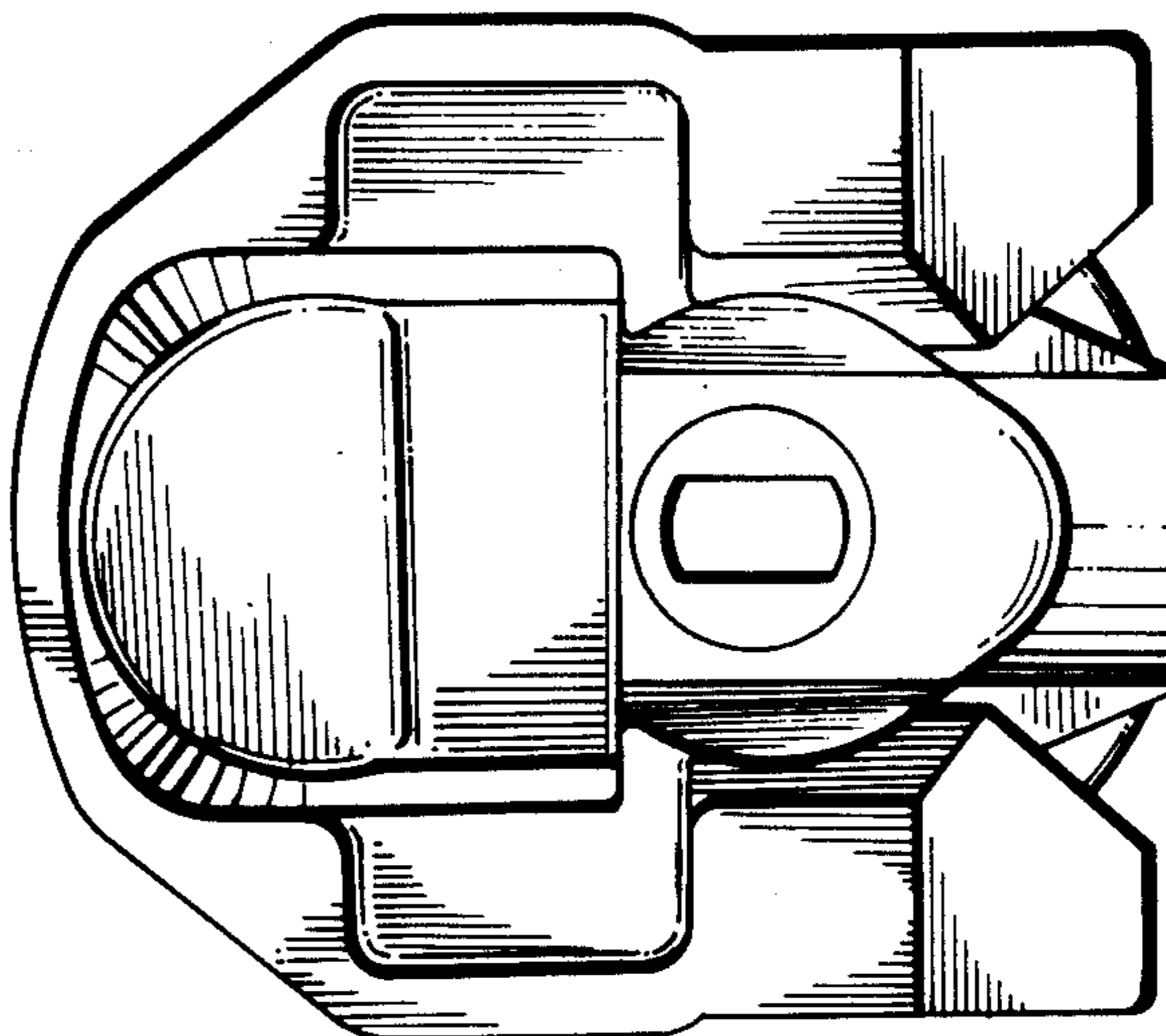


FIG - 4