

[54] SOLENOID CYLINDER FRAME FOR RECIPROCATING MOTOR

[76] Inventor: Everett E. Schulze, 1357 Helena, Apt. 100, Aurora, Colo. 80011

[**] Term: 14 Years

[21] Appl. No.: 866,530

[22] Filed: Jan. 3, 1978

[51] Int. Cl. D13-01

[52] U.S. Cl. D13/1

[58] Field of Search D13/1, 2, 3, 4, 11, D13/15; 310/20, 23, 35, 14, 15, 28, 30, 34, 194

[56] References Cited

U.S. PATENT DOCUMENTS

2,820,160	1/1958	Erie	310/23
3,153,157	10/1964	Rabe	310/194 X
3,501,166	3/1970	Heinzen et al.	310/194

3,859,547 1/1975 Massie 310/30 X

FOREIGN PATENT DOCUMENTS

473552 9/1914 France 310/12

Primary Examiner—Susan J. Lucas

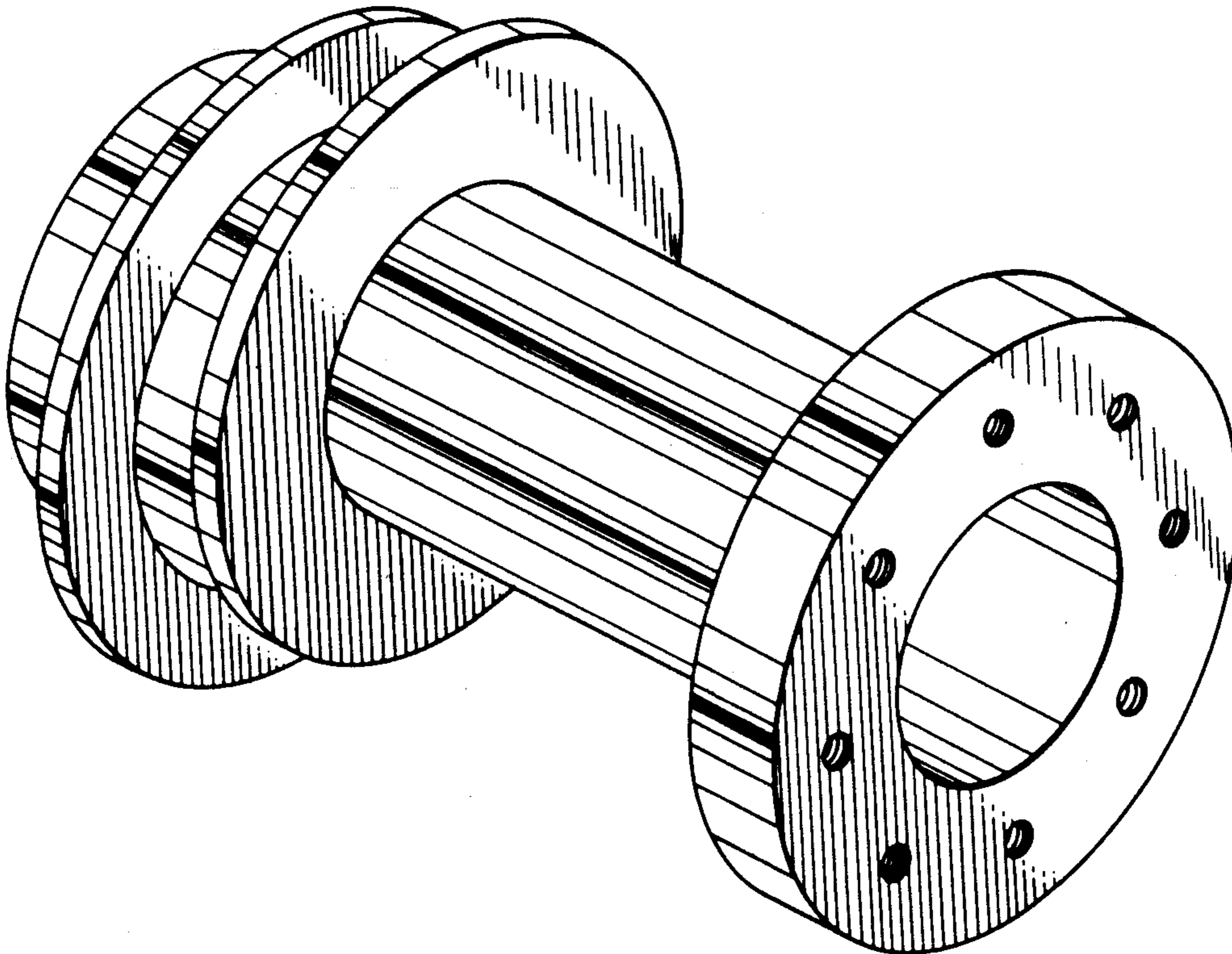
Attorney, Agent, or Firm—Richard D. Law

[57] CLAIM

The ornamental design for a solenoid cylinder frame for reciprocating motor.

DESCRIPTION

FIG. 1 is a perspective view of a solenoid cylinder frame for reciprocating motor;
 FIG. 2 is a top plan view thereof;
 FIG. 3 is a side elevational view thereof;
 FIG. 4 is a bottom plan view thereof;
 FIG. 5 is an inverted opposite side elevational view of the view of FIG. 3, and
 FIG. 6 is an inverted front elevational view thereof.



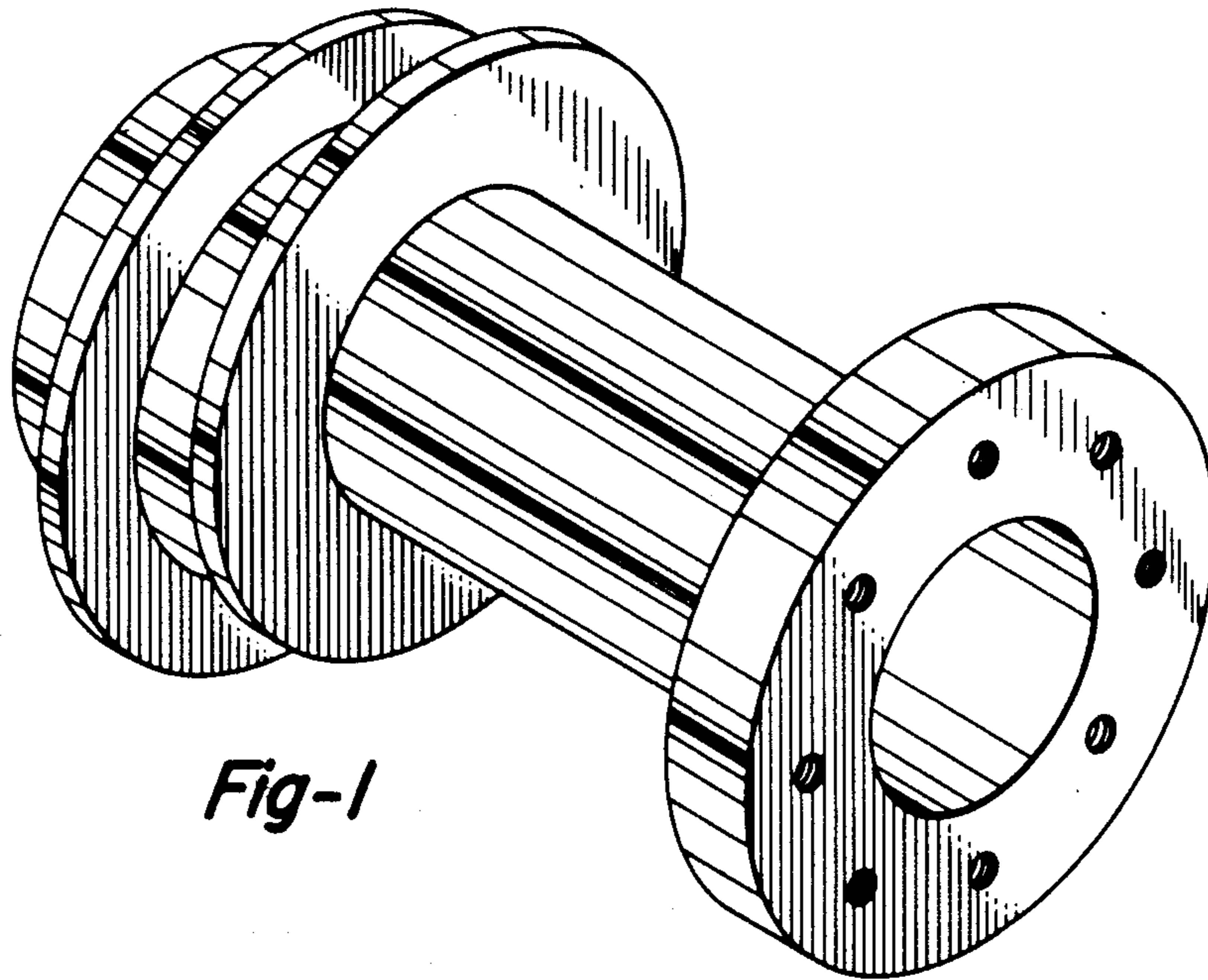


Fig-1

Fig-2

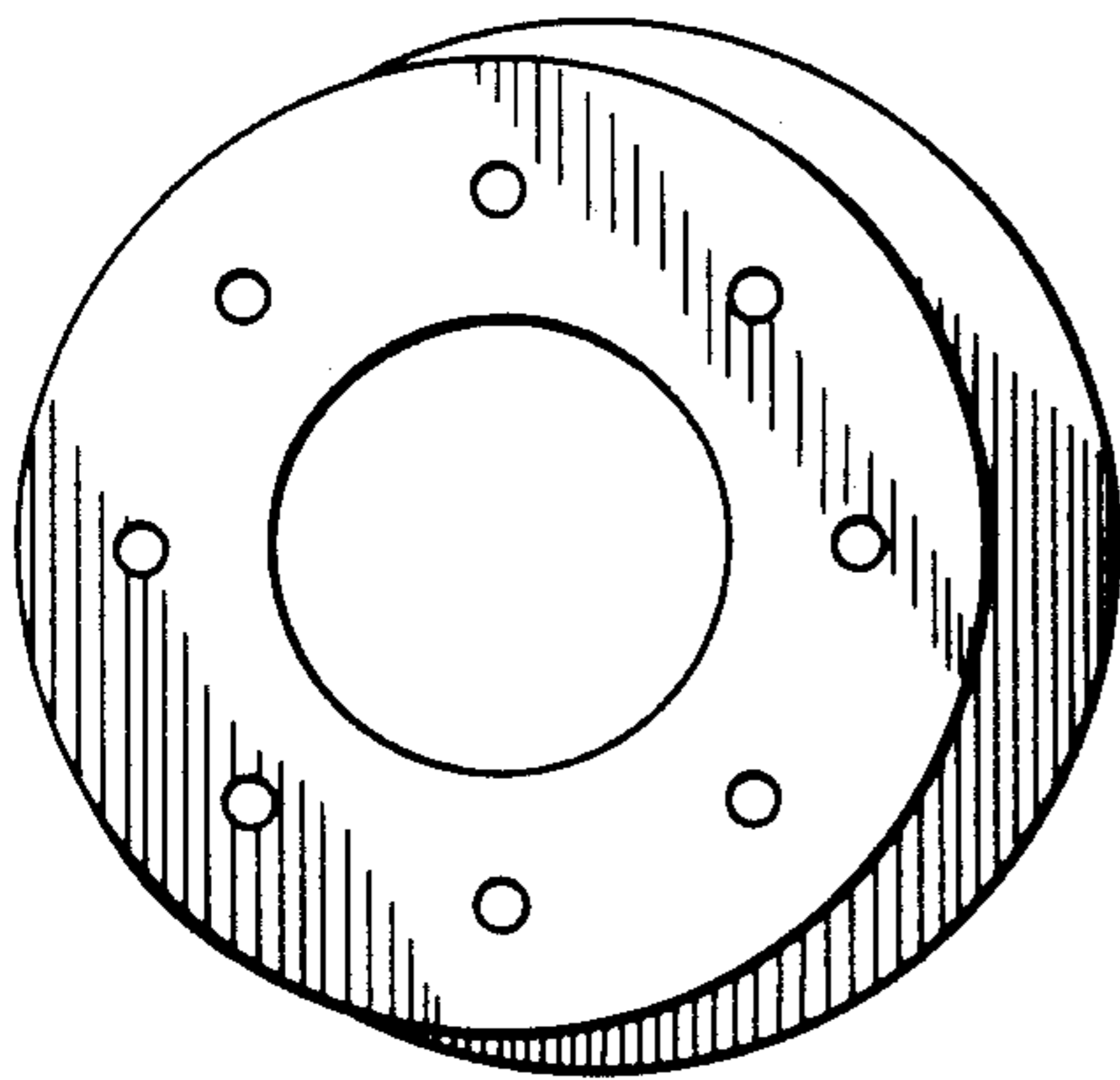
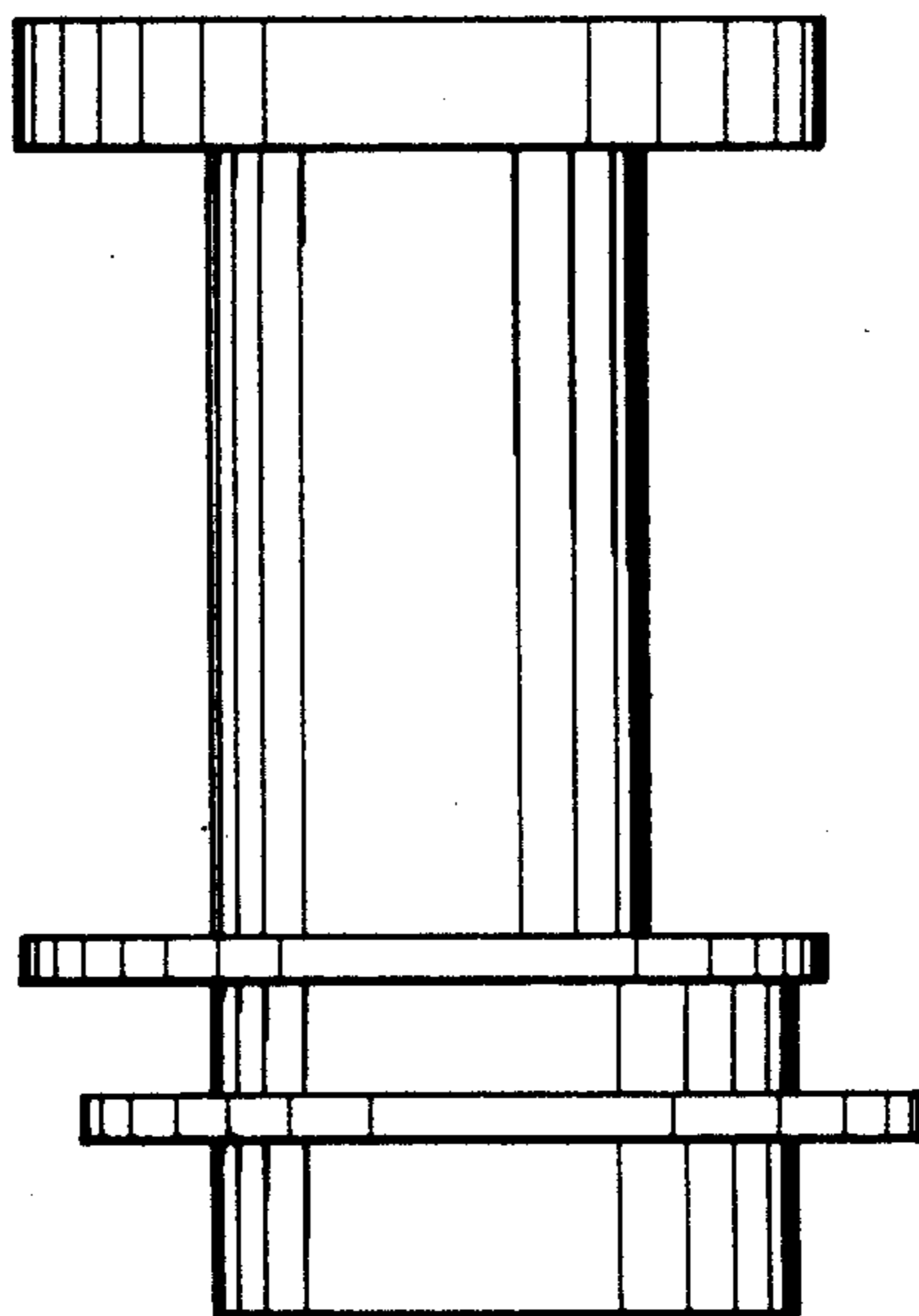


Fig-3



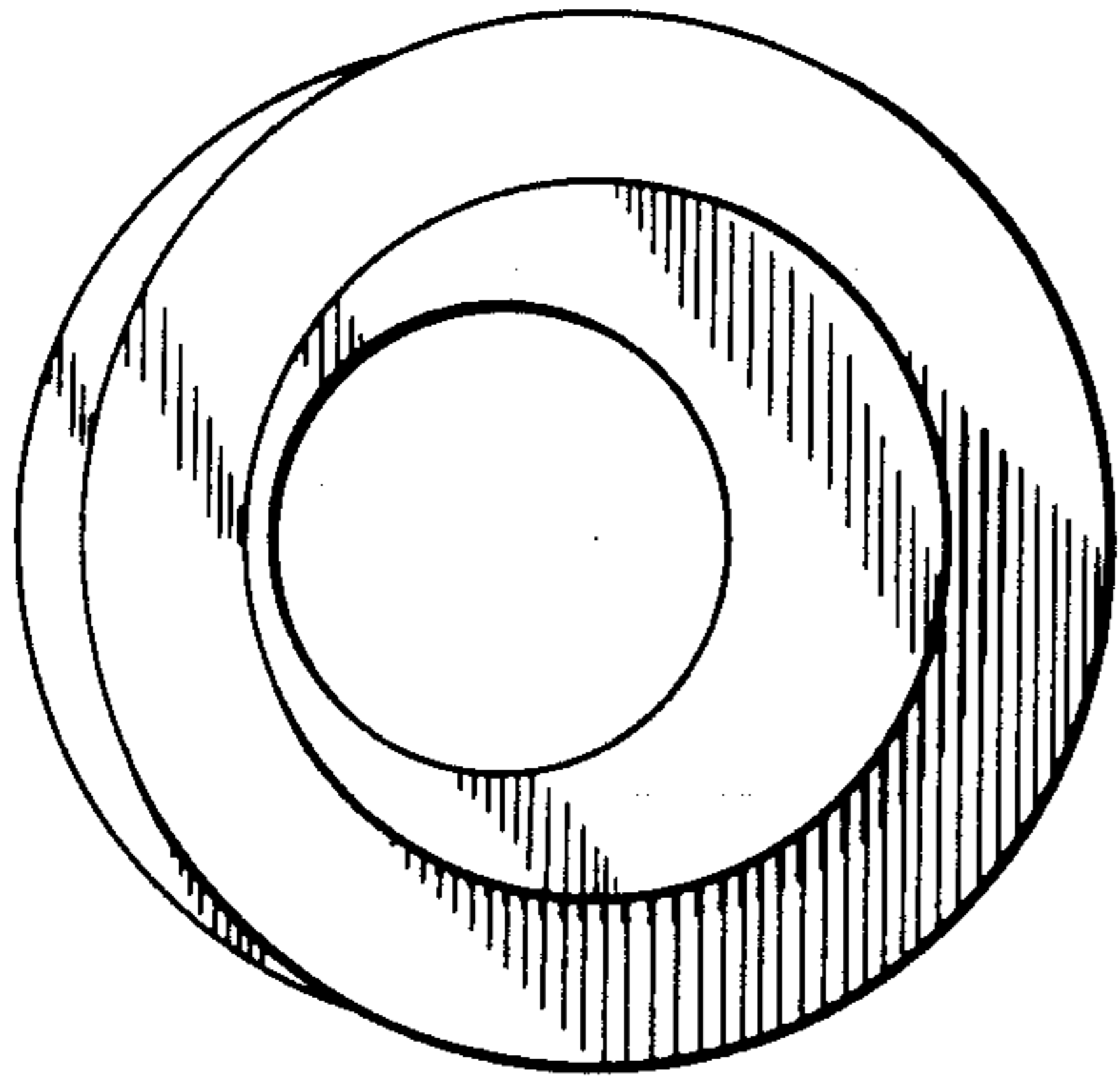


Fig-4

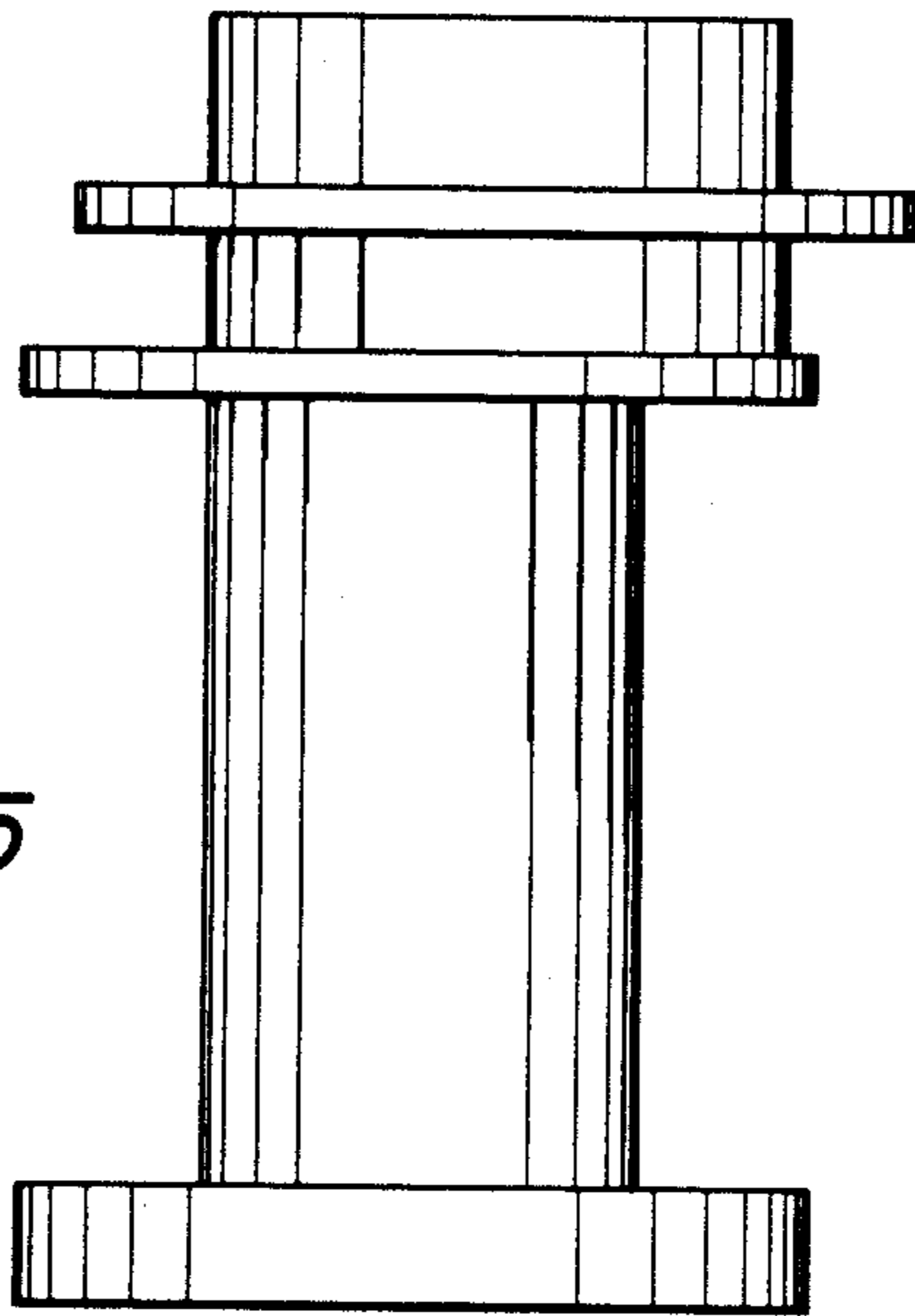


Fig-5

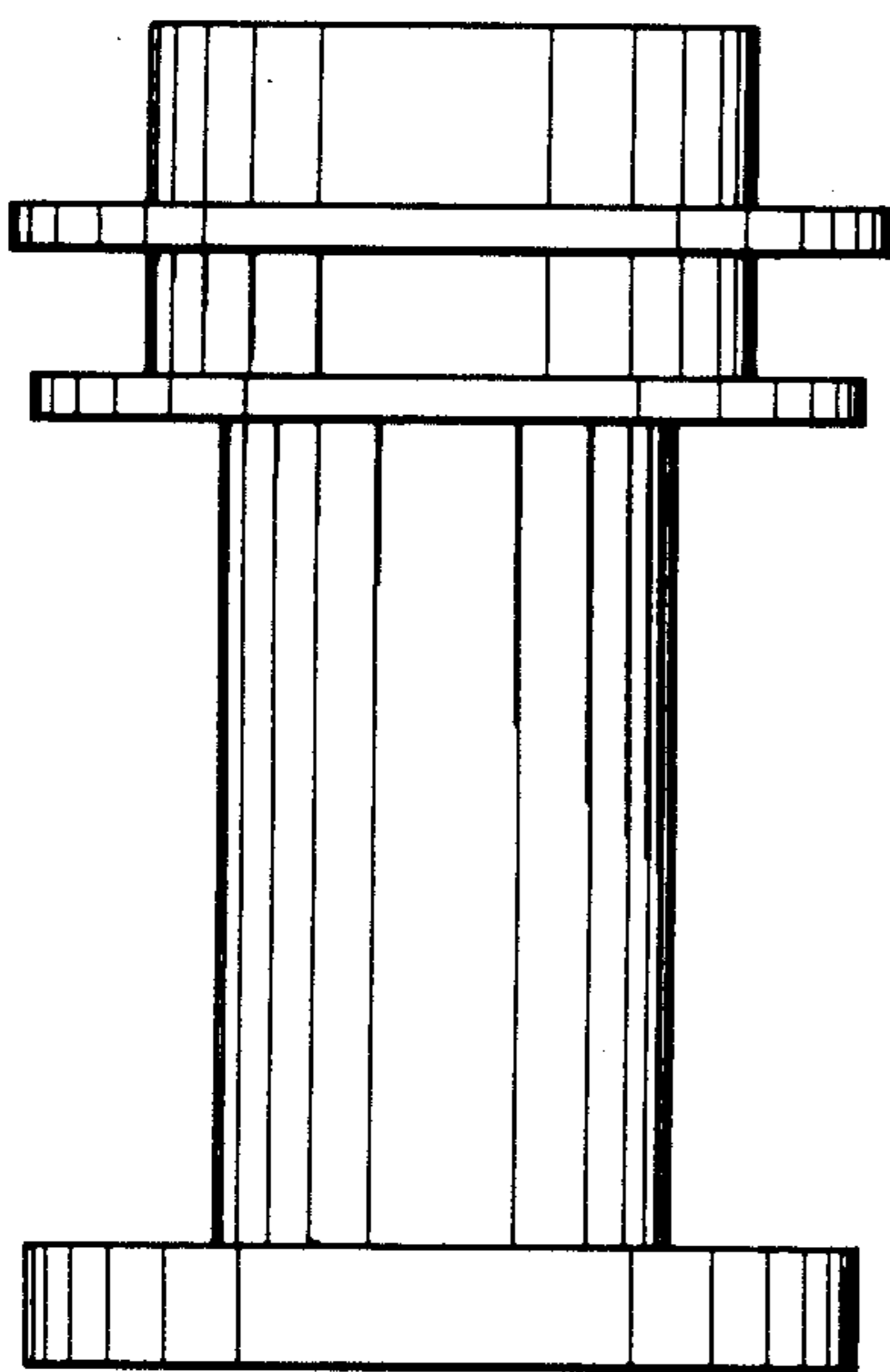


Fig-6