

[54] TIRE CARRIER FOR A VAN TYPE VEHICLE

[75] Inventor: Raywood C. Weiler, Fontana, Calif.

[73] Assignee: Blackstone Manufacturing Co., Inc., Chicago, Ill.

[**] Term: 14 Years

[21] Appl. No.: 45,518

[22] Filed: Jun. 4, 1979

[51] Int. Cl. D12-16

[52] U.S. Cl. D12/202

[58] Field of Search D12/202; 224/42.12, 224/42.21, 42.25, 42.28, 42.29

[56] References Cited

U.S. PATENT DOCUMENTS

4,042,157 8/1977 Weiler 224/42.21

OTHER PUBLICATIONS

J. C. Whitney Catalog No. 376 A, ©1978, p. 42, Locking Tire Carrier, lower center of page.

J. C. Whitney Catalog No. 376 A, ©1978, p. 42, Van Rear Door Tire Carrier, second box up and in from bottom right side of page.

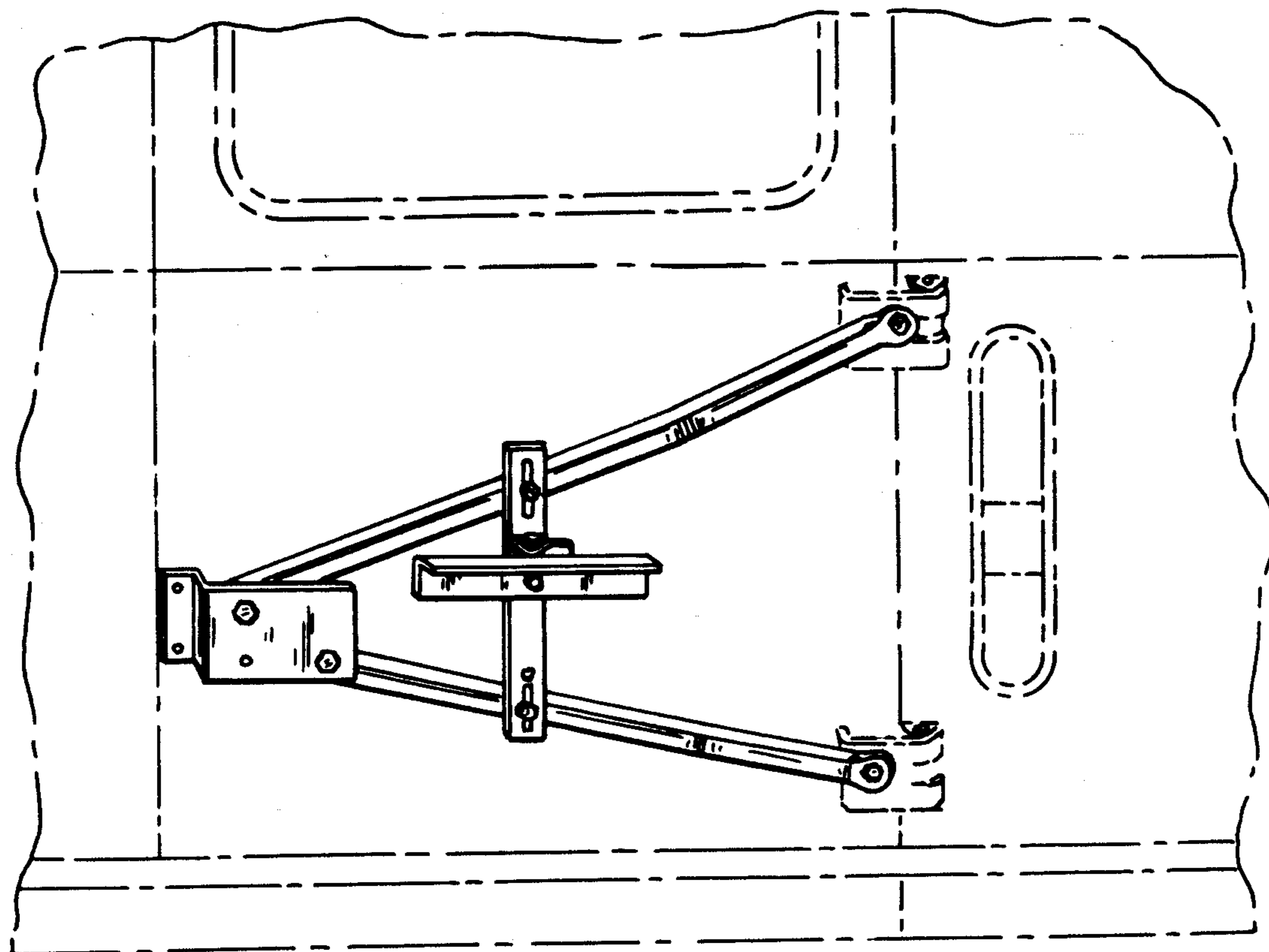
Primary Examiner—James M. Gandy
Attorney, Agent, or Firm—Nathan N. Kraus

[57] CLAIM

The ornamental design for a tire carrier for a van type vehicle, as shown and described.

DESCRIPTION

FIG. 1 is a front perspective view of a tire carrier for a van type vehicle, showing my new design; FIG. 2 is a front elevational view thereof; FIG. 3 is a top plan view thereof; FIG. 4 is a rear elevational view thereof; FIG. 5 is a bottom plan view thereof; FIG. 6 is a right hand end elevational view thereof; and FIG. 7 is a left hand end elevational view thereof. The broken line representation of a part of a van type vehicle in FIG. 1 is for purposes of illustration only.



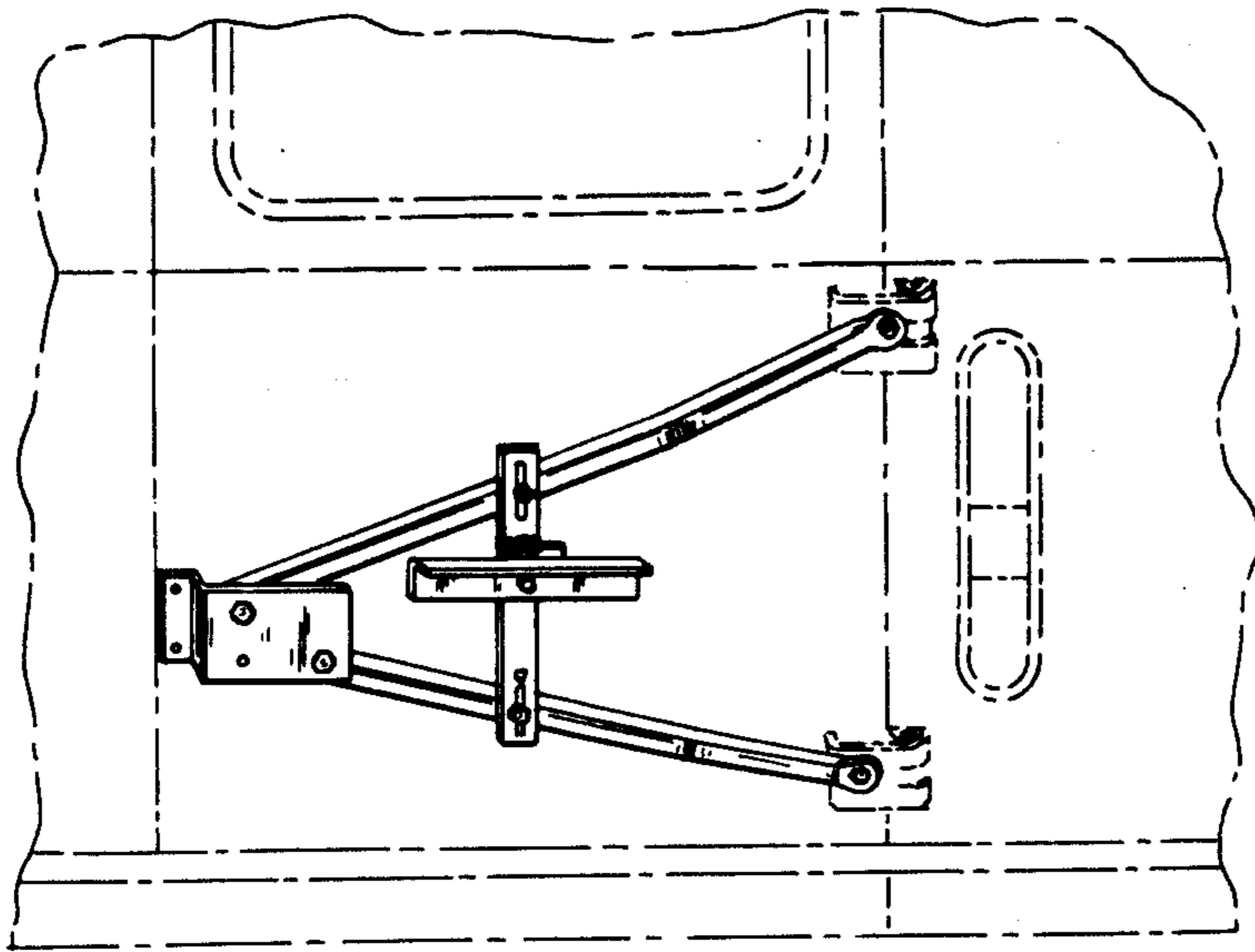


FIG. 1

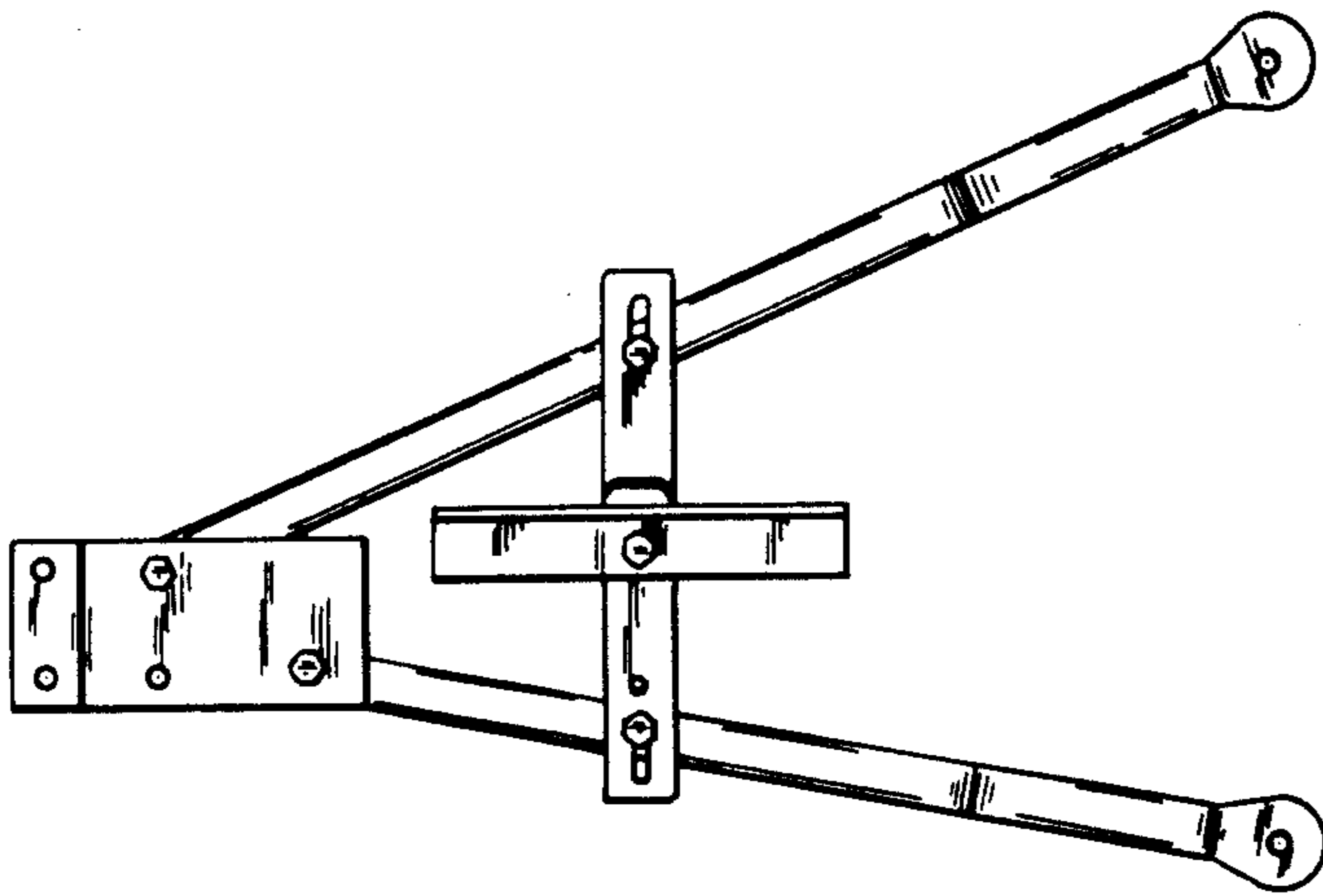


FIG. 2

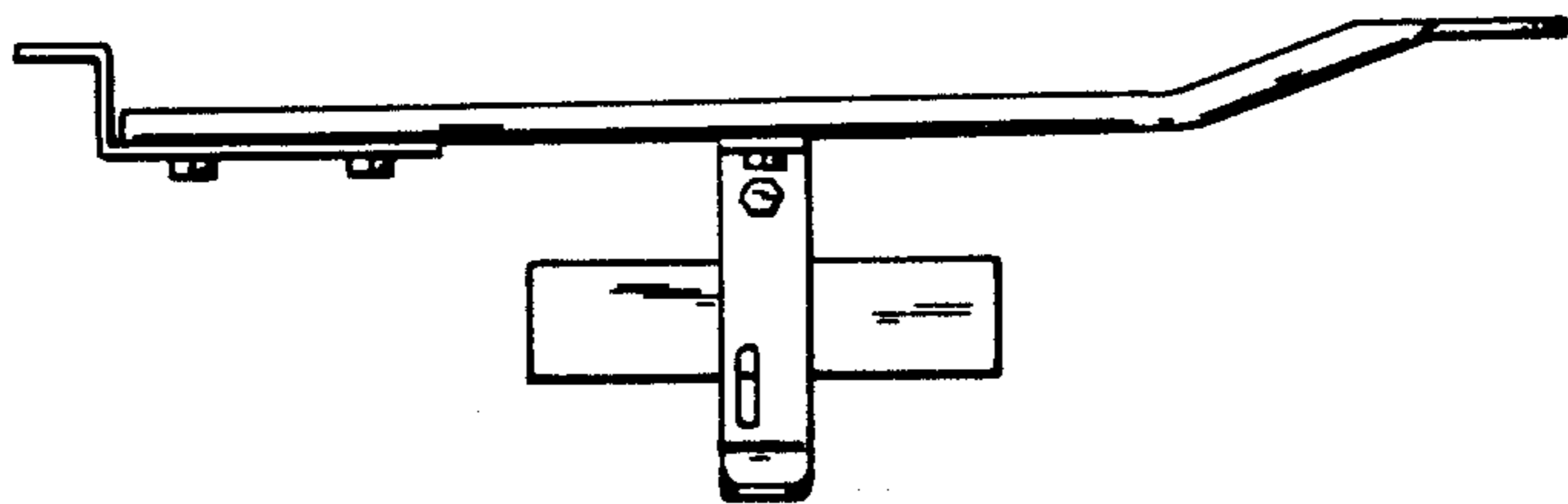


FIG. 3

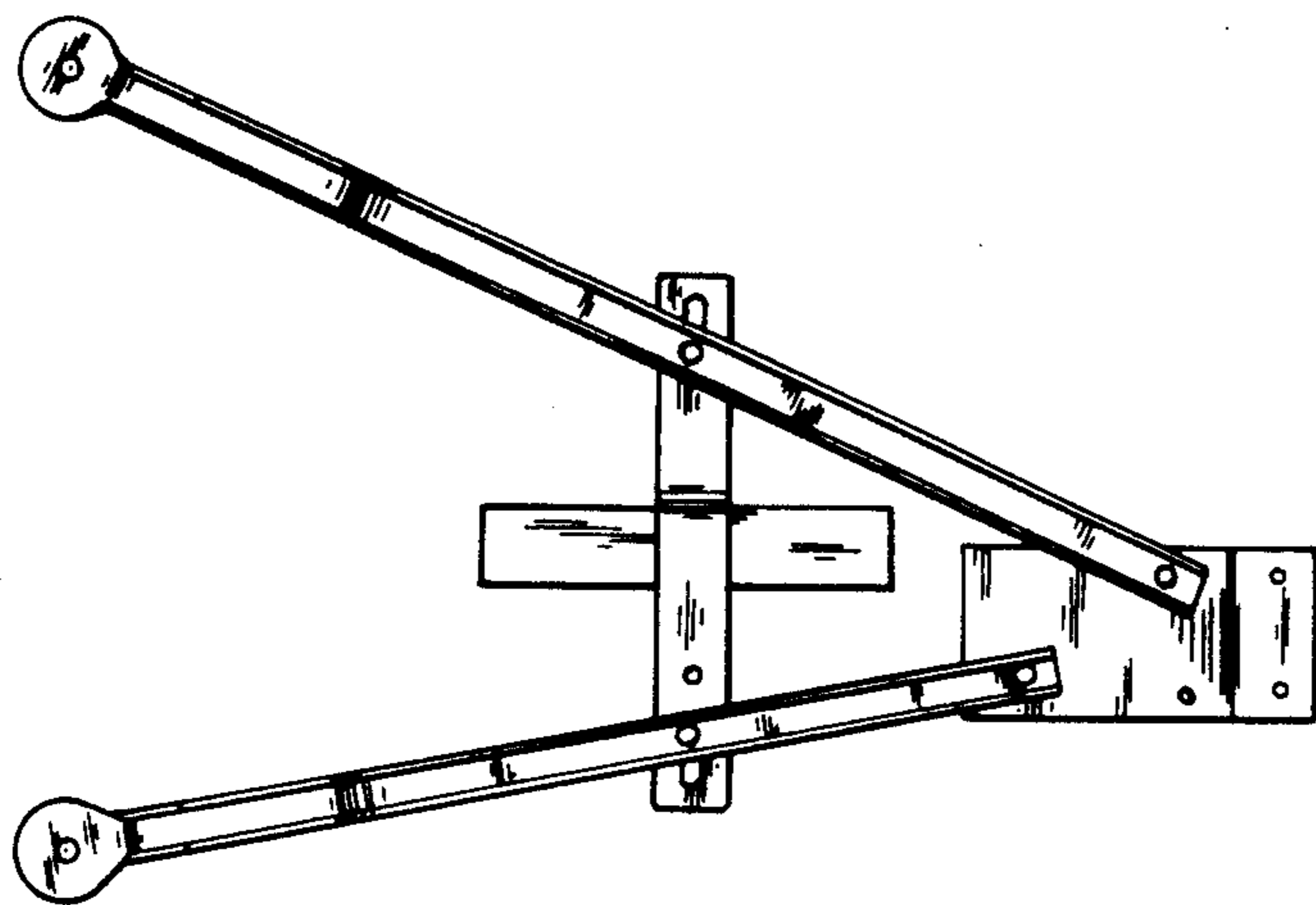


FIG. 4

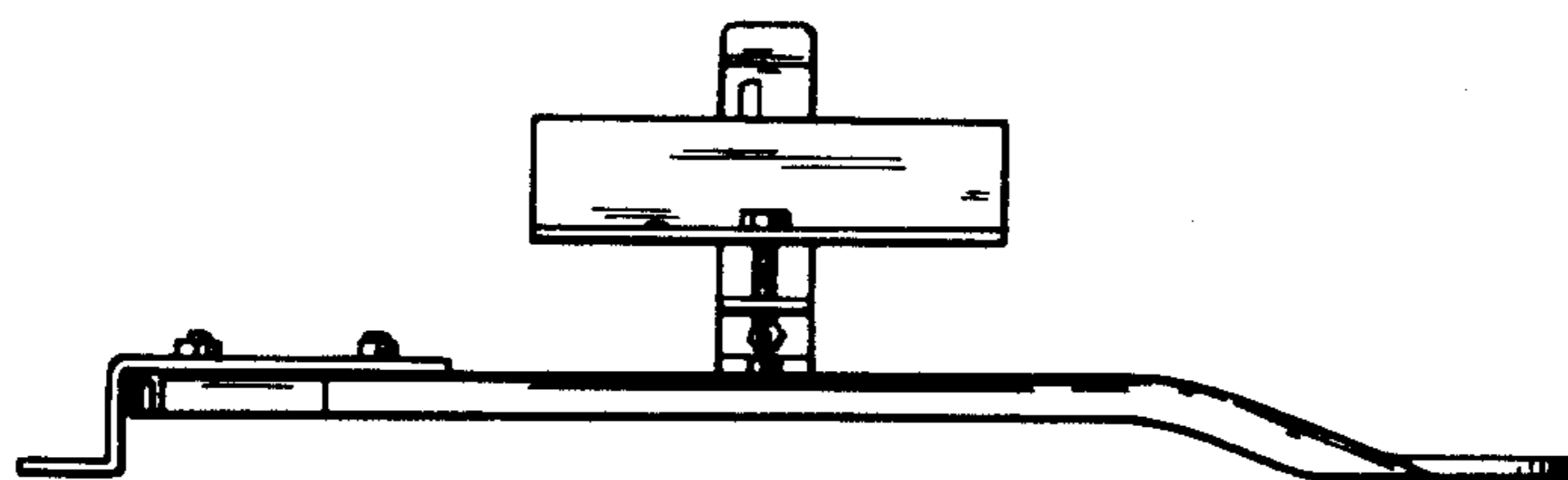


FIG. 5

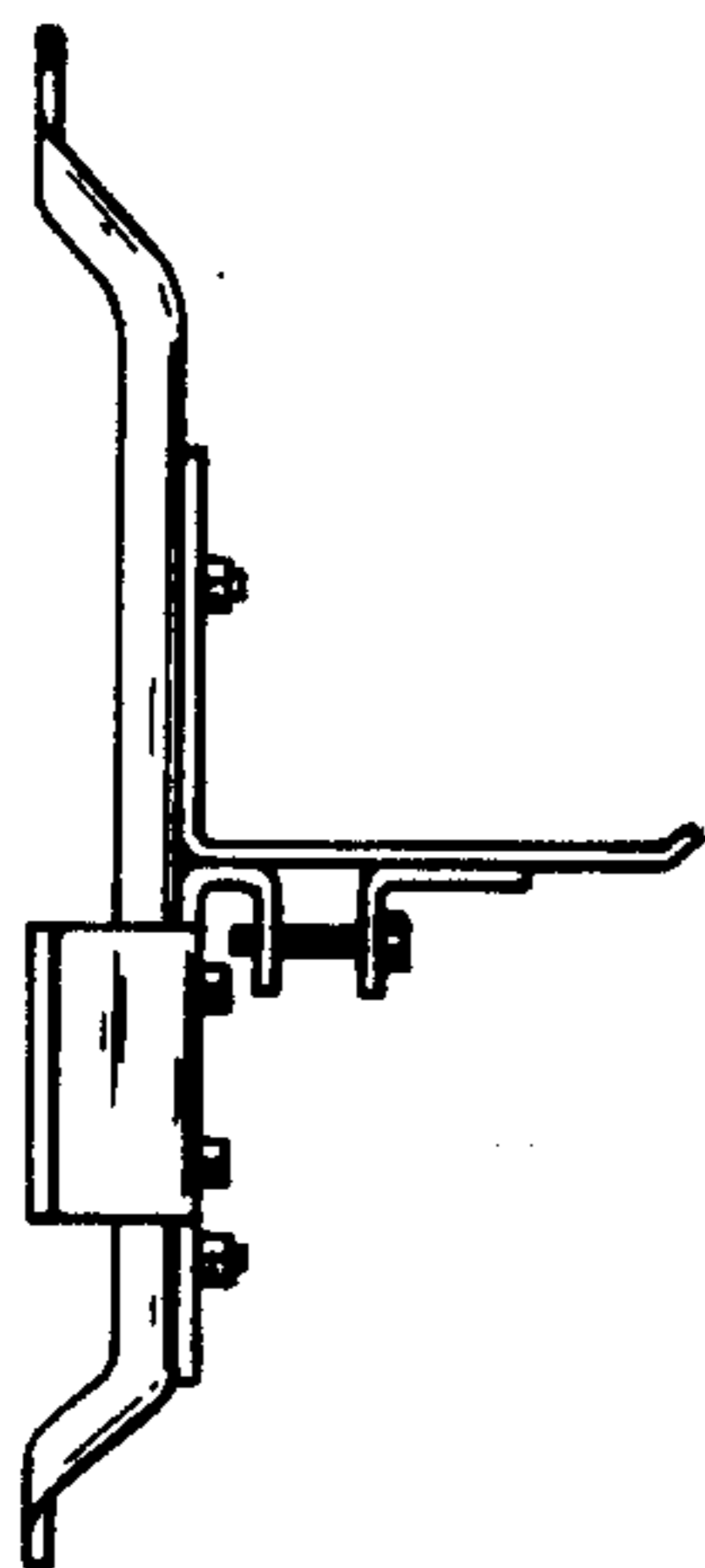


FIG. 6

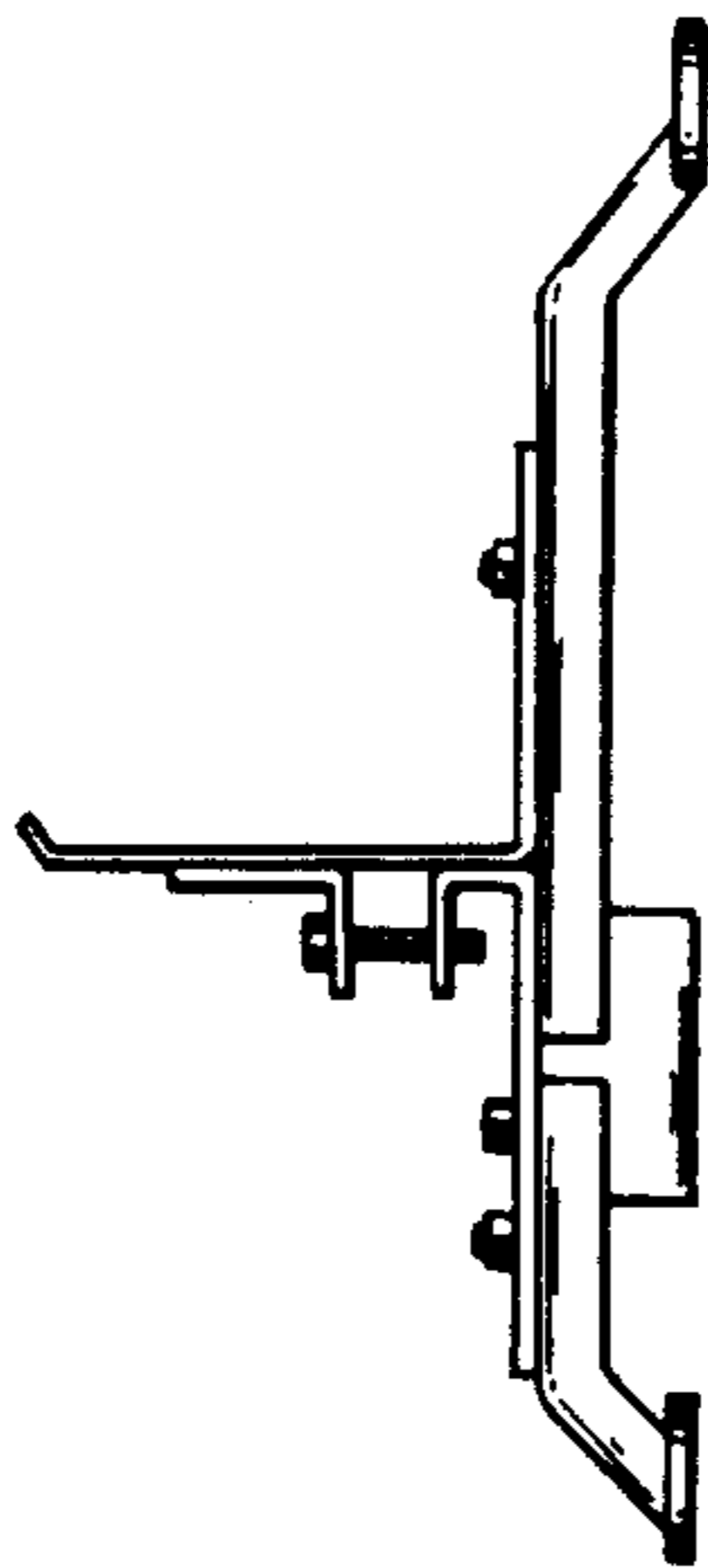


FIG. 7

REEXAMINATION CERTIFICATE (318th)
United States Patent [19] [11] **B1 Des. 256,345**
Weiler [45] **Certificate Issued Mar. 26, 1985**

[54] **TIRE CARRIER FOR A VAN TYPE VEHICLE**
 [75] Inventor: **Raywood C. Weiler**, Fontana, Calif.
 [73] Assignee: **Blackstone Manufacturing Co., Inc.**,
 Chicago, Ill.

Reexamination Request:
 No. 90/000,388, May 31, 1983

Reexamination Certificate for:
 Patent No.: **Des. 256,345**
 Issued: **Aug. 12, 1980**
 Appl. No.: **45,518**
 Filed: **Jun. 4, 1979**

[52] U.S. Cl. **D12/202**

[56] **References Cited**

U.S. PATENT DOCUMENTS

4,042,157 8/1977 Weiler 224/42.21

OTHER PUBLICATIONS

J. C. Whitney Catalog No. 376A, ©1978, p. 42, Van

Rear Door Tire Carriers, Second box up from bottom of page & second box in from right.

"Recreational Vehicle Retailer" magazine, Apr. 1977, vol. 6, No. 4, cover & pp. 5, 24 & 172.

"Recreational Vehicle Retailer" magazine, Feb. 1977, vol. 6, No. 2, cover & pp. 5, 143 & 170.

"Pickup, Van & 4Wd" magazine, Sep. 1976, vol. 4, No. 12, cover & title page and pp. 19 & Advertisers Index.

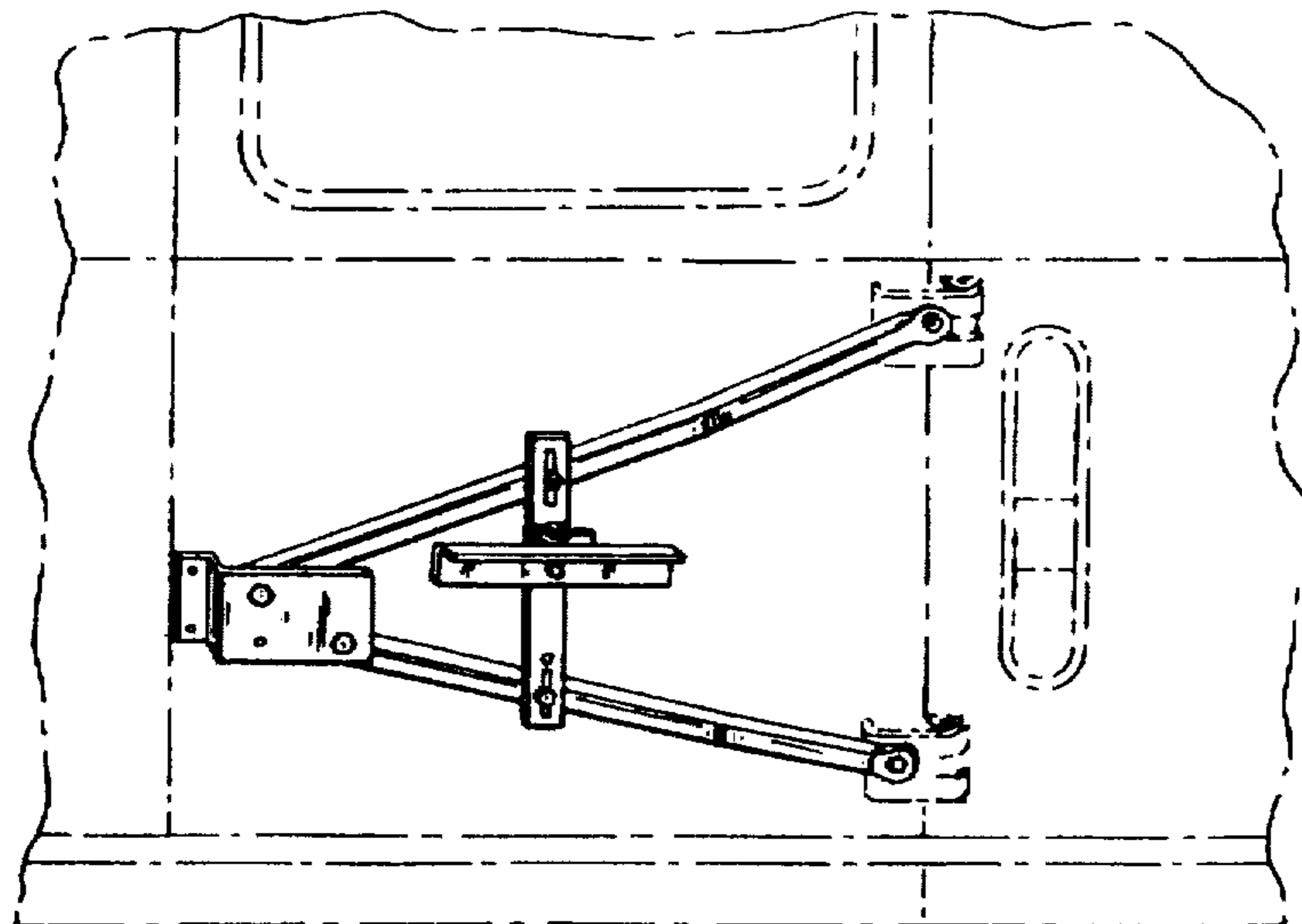
"Pickup, Van & 4WD" magazine, Jan. 1976, vol. 4, No. 4, cover and pp. 3, 24 & 88.

"Camper Coachman" magazine, p. 16.

"Recreational Vehicle Retailer" magazine, Mar. 1977, vol. 6, No. 3, cover and title pages, Advertisers Index & unnumbered page headed BMC.

"Official RVIA Program" for the 25th Annual Recreational Vehicle Show, Dodger Stadium, Nov. 2-13, 1977, cover & p. 36.

Primary Examiner—James M. Gandy



**REEXAMINATION CERTIFICATE
ISSUED UNDER 35 U.S.C. 307**

THE PATENT IS HEREBY AMENDED AS
INDICATED BELOW.

AS A RESULT OF REEXAMINATION, IT HAS
BEEN DETERMINED THAT:

5 The claim is cancelled.

* * * * *

10

15

20

25

30

35

40

45

50

55

60

65