

[54] RANGE FINDER

[75] Inventors: Charles E. Kester, Fairport; Thomas E. Hughes, Palmyra, both of N.Y.

[73] Assignee: Ranging, Inc.

[**] Term: 14 Years

[21] Appl. No.: 946,836

[22] Filed: Sep. 28, 1978

[51] Int. Cl. D10-04

[52] U.S. Cl. D10/70

[58] Field of Search D10/46, 70, 71, 72; 356/9, 12-15, 1, 29, 16-18, 252; 33/125 A, 137-138; 250/237 G

[56] References Cited

U.S. PATENT DOCUMENTS

D. 134,058 10/1942 Lowey D10/76
2,186,806 1/1940 Liebmann 356/17

2,910,912 11/1959 Wohler 356/16 X
2,978,949 4/1961 Seeger 356/17
3,680,946 8/1972 Bellows 356/12 X
3,817,621 6/1974 Kester 356/17

OTHER PUBLICATIONS

Design News-1/7/74-p. 66-Optical Tape Measure.

Primary Examiner-Nelson C. Holtje

Attorney, Agent, or Firm-Philip K. Fitzsimmons

[57] CLAIM

The ornamental design for a range finder, substantially as shown.

DESCRIPTION

FIG. 1 is a top plan view of a range finder showing our new design;

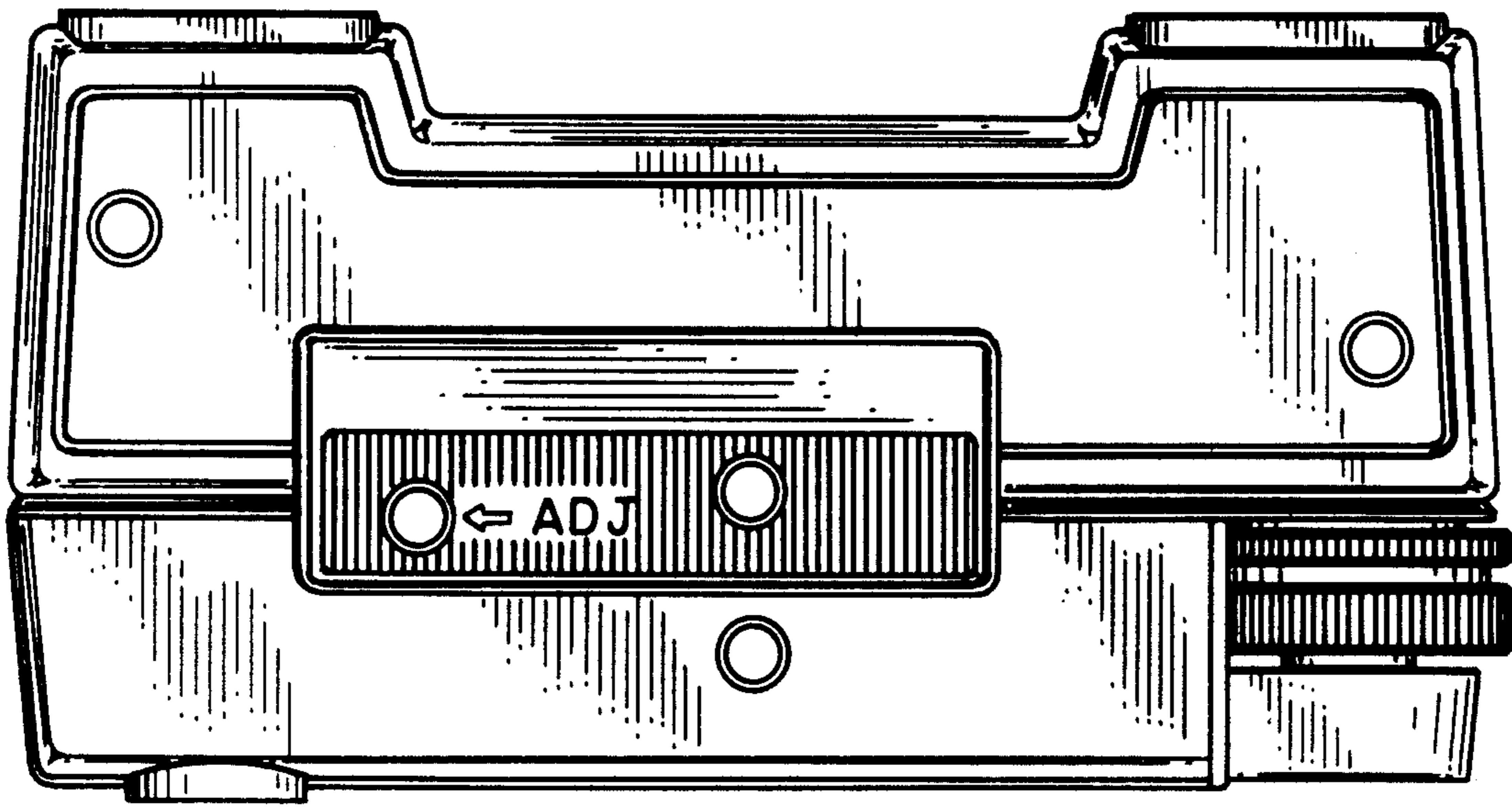
FIG. 2 is a front elevational view thereof;

FIG. 3 is a left side elevational view thereof;

FIG. 4 is a right side elevational view thereof;

FIG. 5 is a bottom plan view thereof; and

FIG. 6 is a rear elevational view thereof.



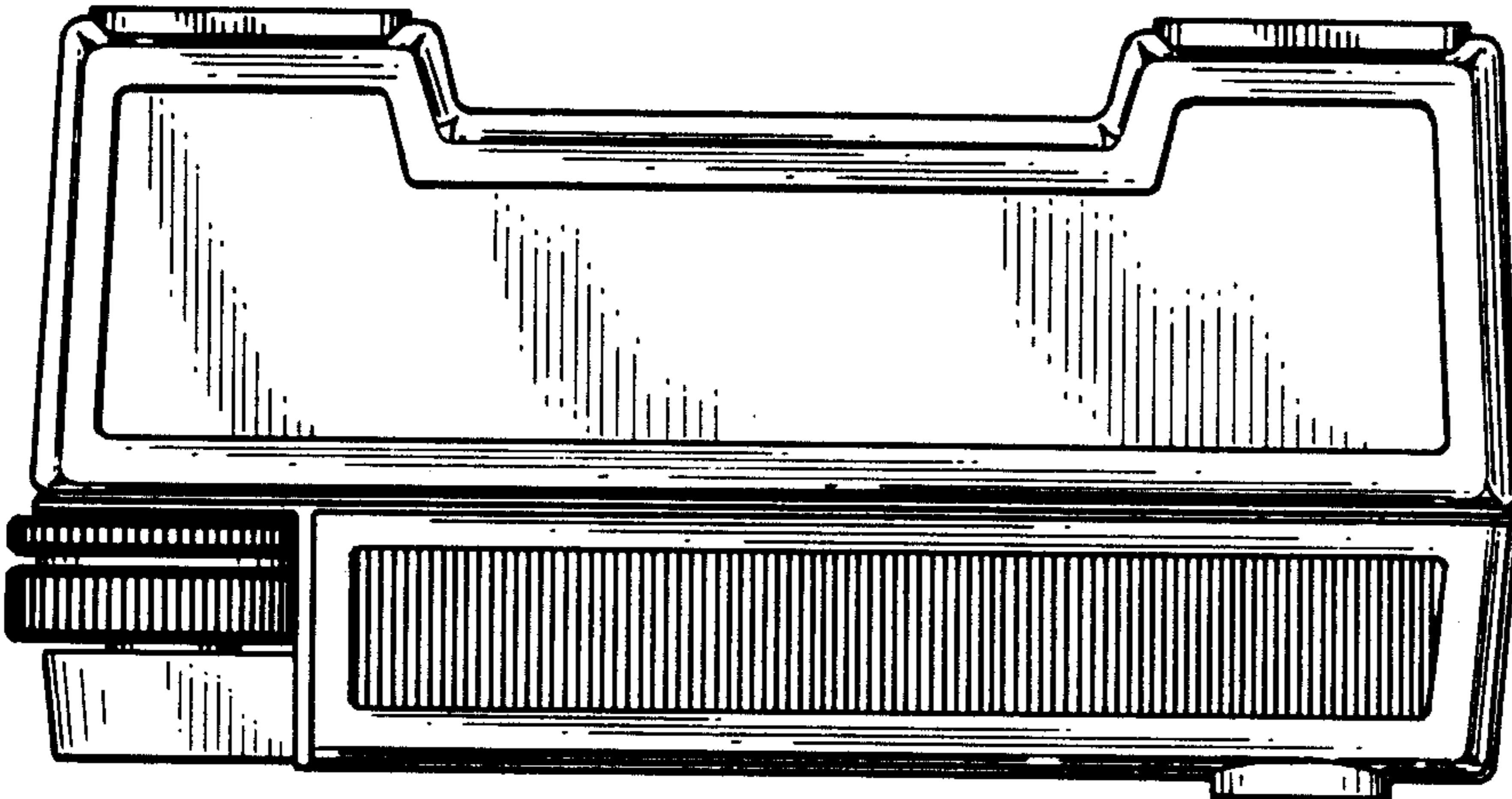


FIG. 1

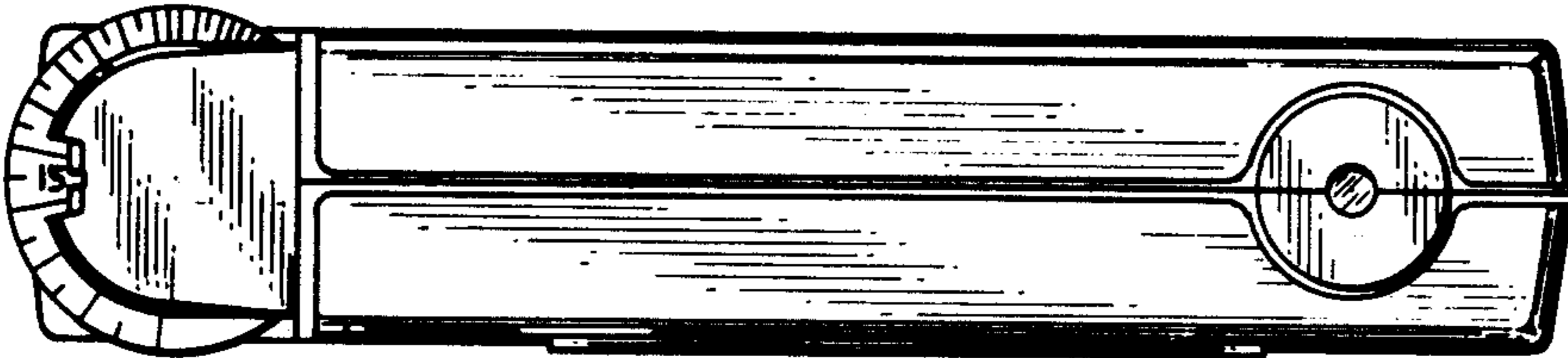


FIG. 2

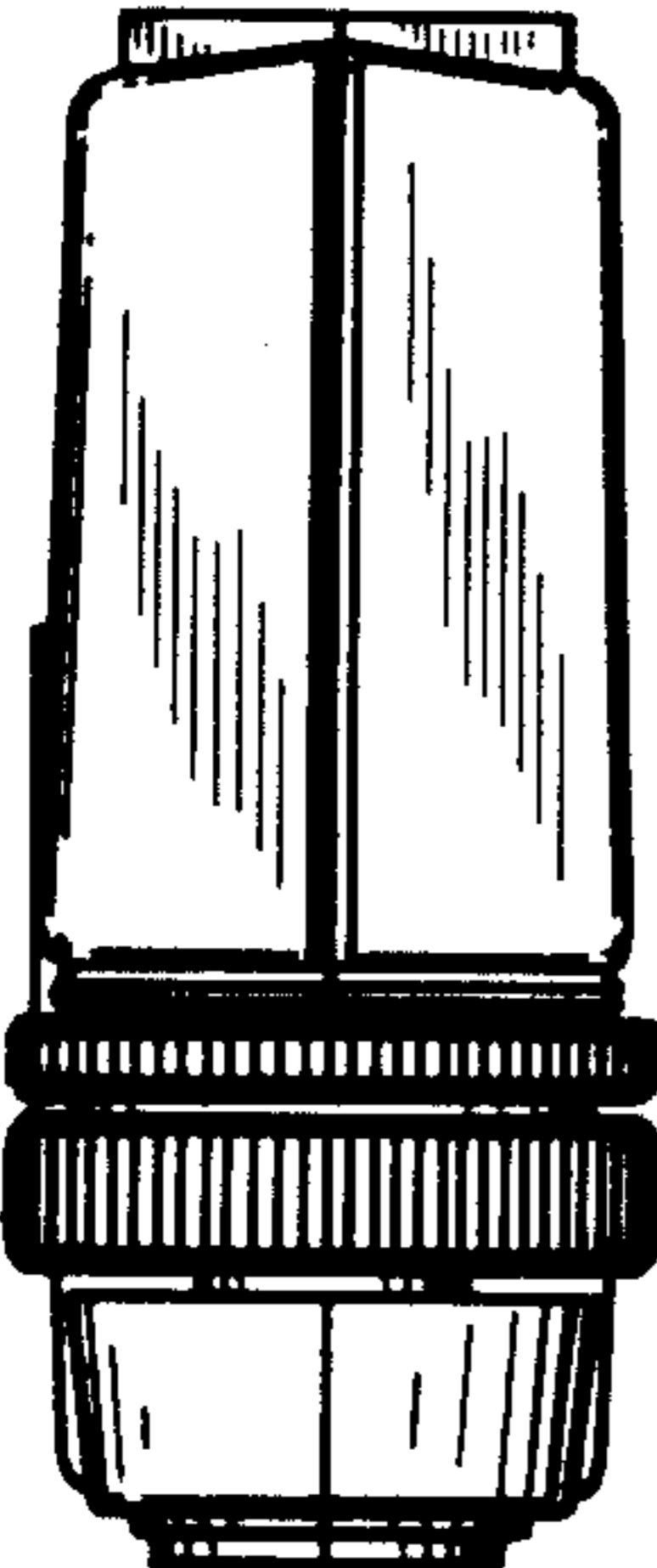


FIG. 3

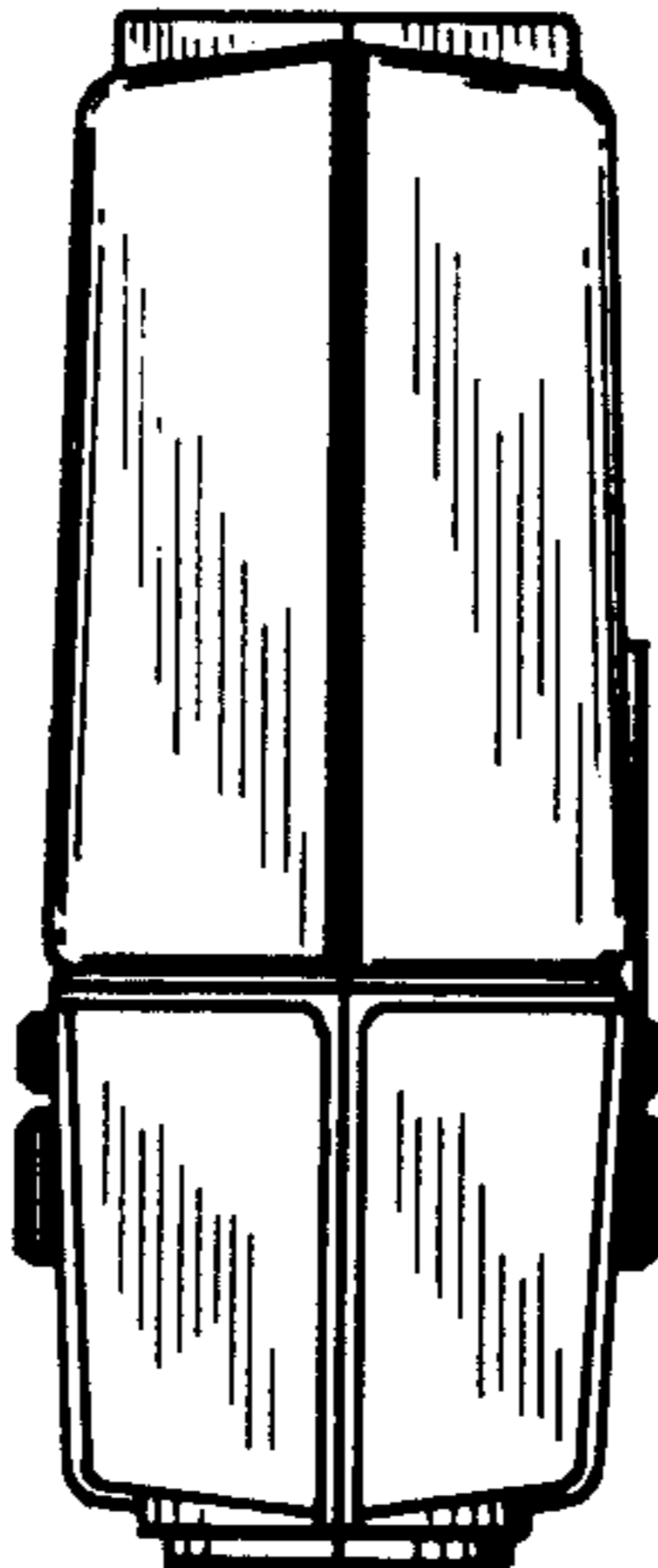


FIG. 4

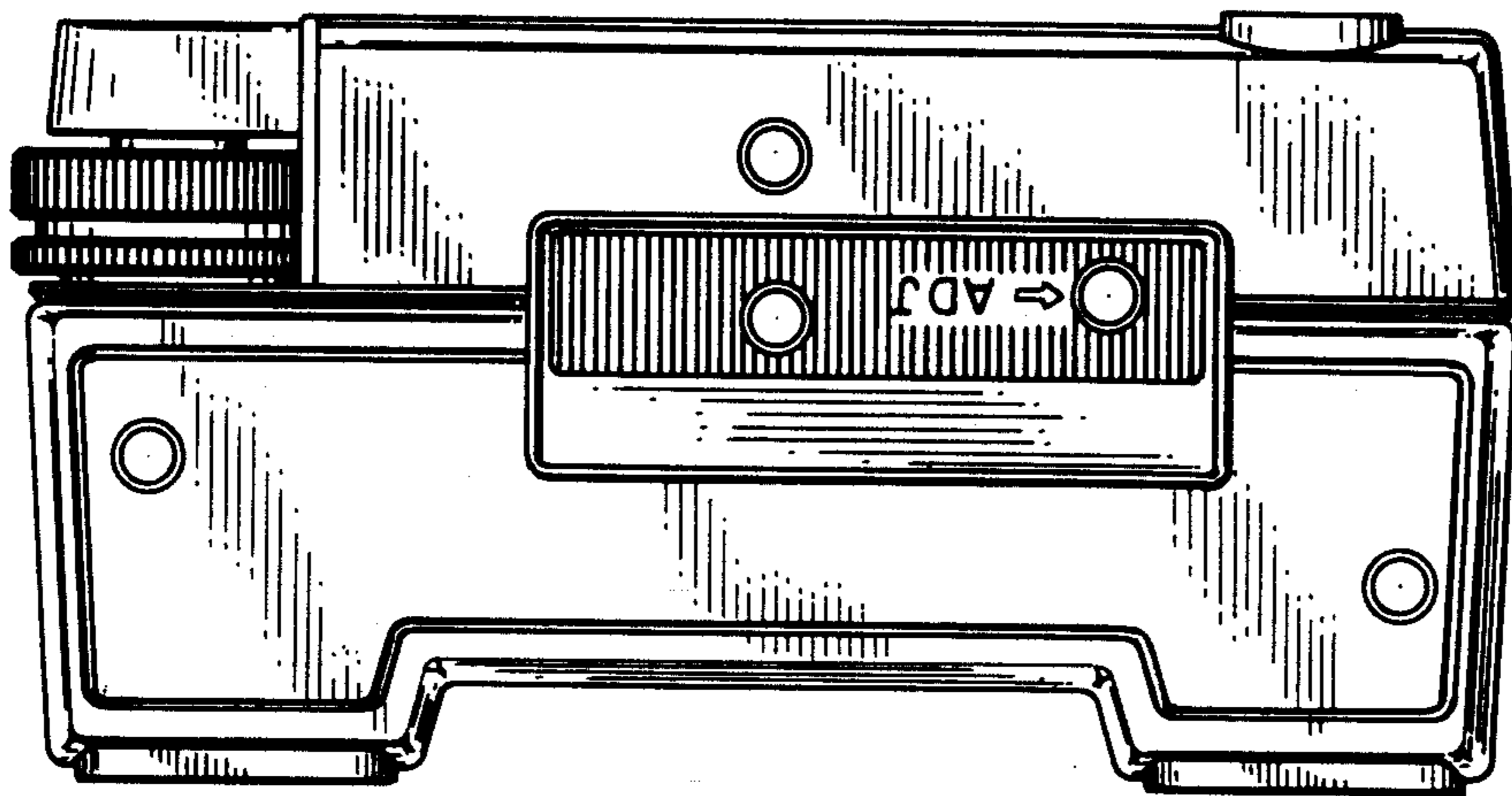


FIG. 5

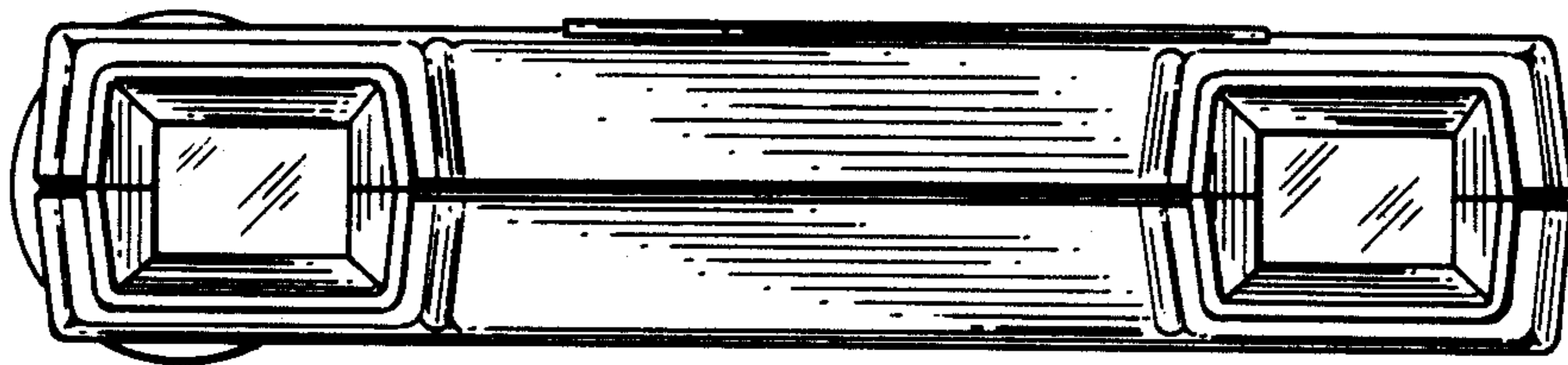


FIG. 6