

[54] LEVEL

[76] Inventors: Gene Derryberry; Thornton E. Cory,
both of P.O. Box 9950, Houston,
Tex. 77015

[**] Term: 14 Years

[21] Appl. No.: 945,567

[22] Filed: Sep. 25, 1978

[51] Int. Cl. D10-04

[52] U.S. Cl. D10/69

[58] Field of Search D10/69; 33/333, 334,
33/370, 371, 372, 373, 379, 381; 7/164, 166,
169, 170; D8/14, 47, 88-89

[56]

References Cited

U.S. PATENT DOCUMENTS

D. 240,903	8/1976	Banas	D10/72
876,720	1/1908	King	33/381
1,635,857	7/1927	Murray	33/379
2,879,777	3/1959	Miller	33/334 UX

Primary Examiner—Nelson C. Holtje
Attorney, Agent, or Firm—Jack W. Hayden

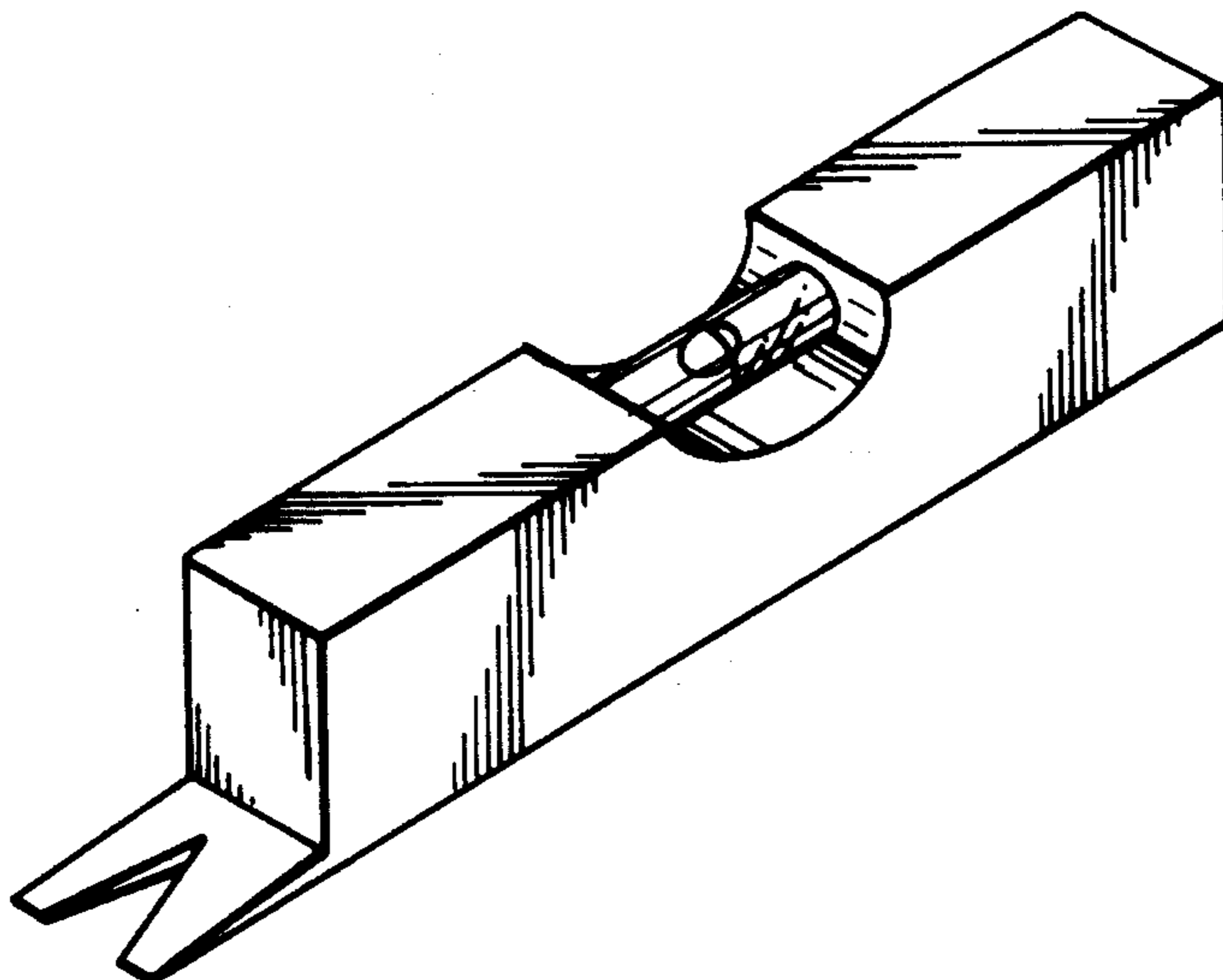
[57]

CLAIM

The ornamental design for a level, as shown.

DESCRIPTION

FIG. 1 is a top and right front perspective view of a level showing my new design;
FIG. 2 is a bottom and left rear perspective view thereof.



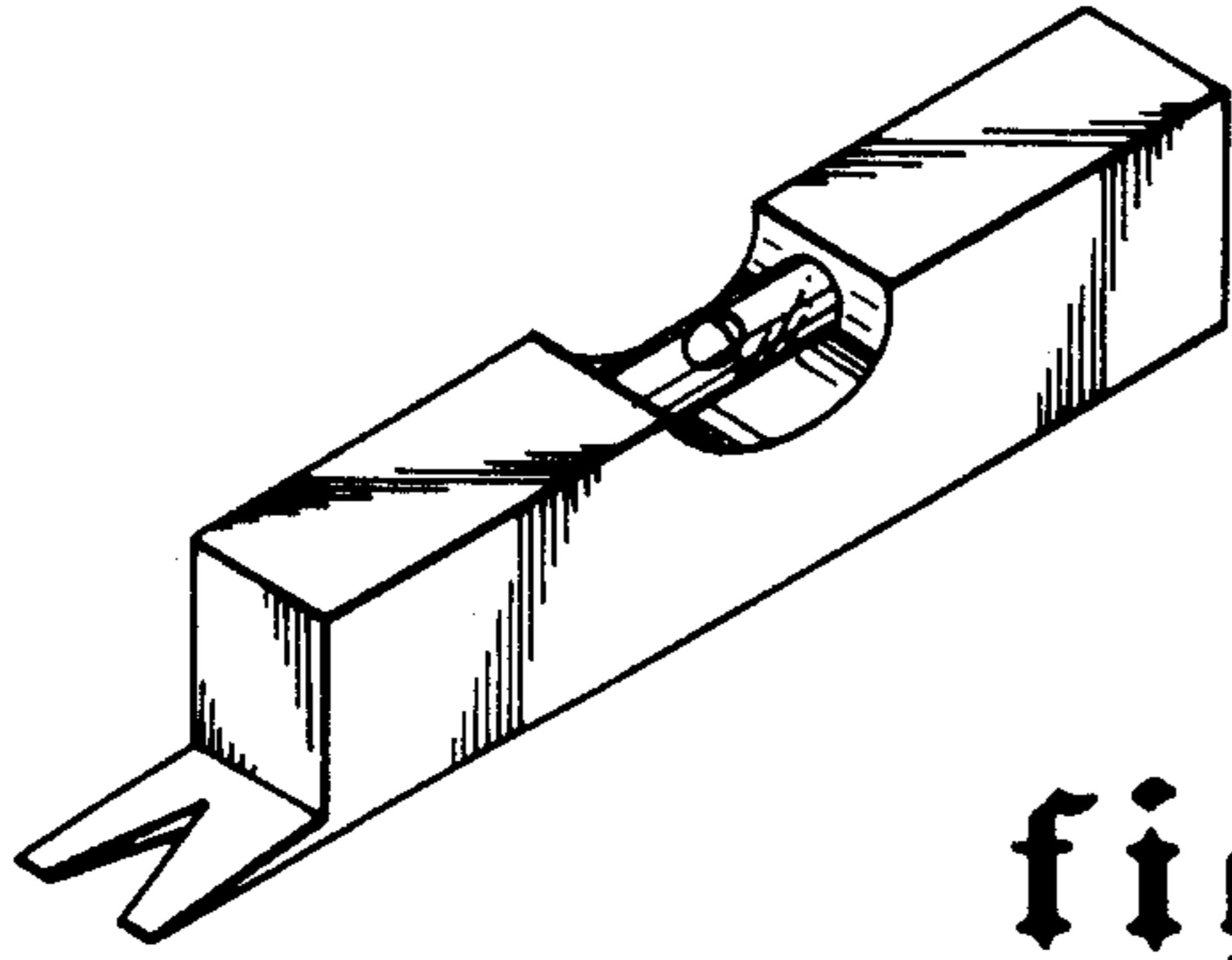


fig. 1

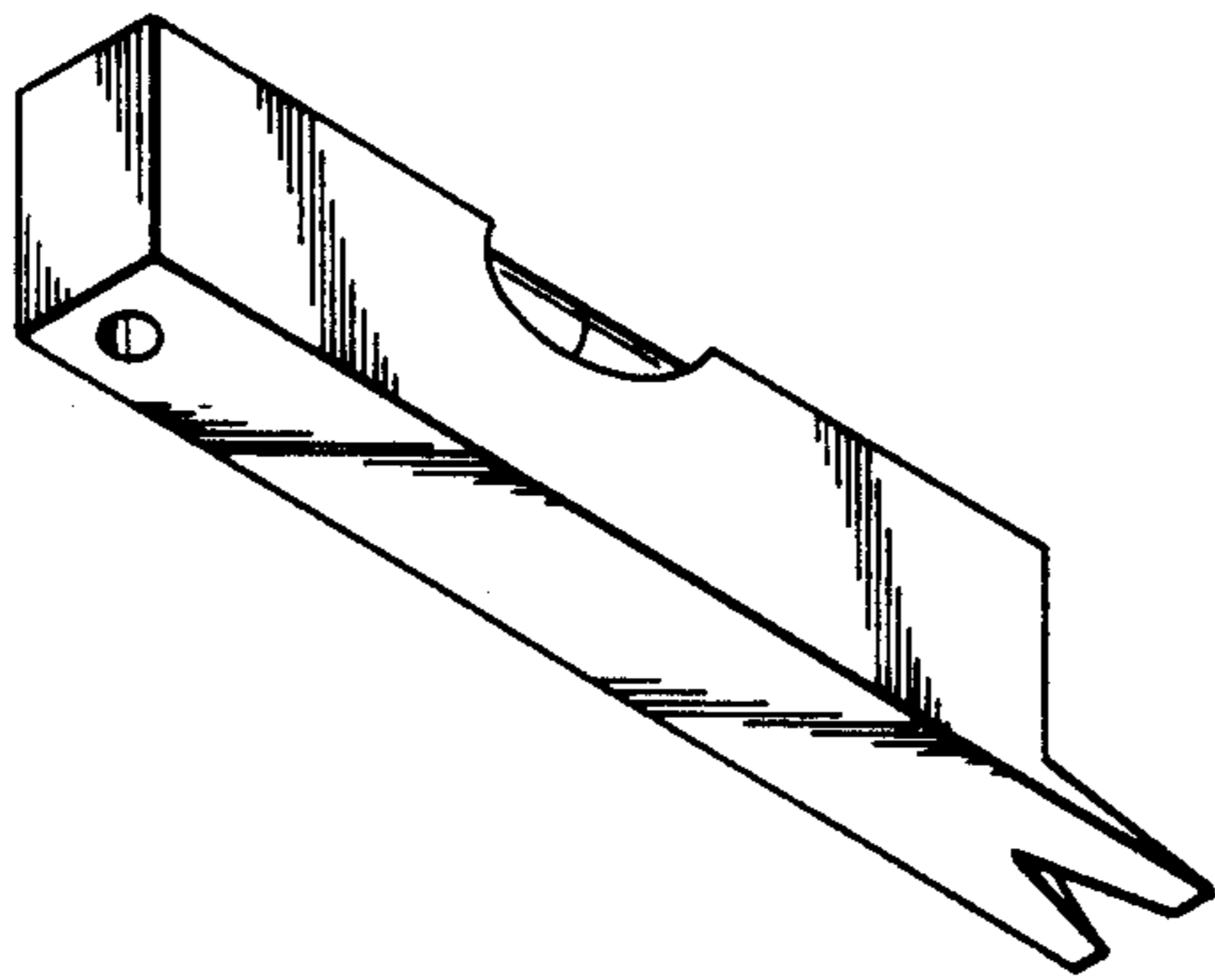


fig. 2