

[54] **CLOCK THERMOSTAT**

[75] **Inventor:** Ralph E. Pasquarette, Jordan, Minn.

[73] **Assignee:** Honeywell Inc., Minneapolis, Minn.

[\*\*] **Term:** 14 Years

[21] **Appl. No.:** 881,488

[22] **Filed:** Feb. 27, 1978

[51] **Int. Cl.** ..... D10-04

[52] **U.S. Cl.** ..... D10/50; D10/2;  
D10/40

[58] **Field of Search** ..... D10/2, 50, 51, 52, 53,  
D10/40; 58/33, 38, 152 R, 39.5; 73/344;  
165/11; 236/46 R, 47 R, 94; 307/144; 337/301,  
303-304, 327

[56] **References Cited**

**U.S. PATENT DOCUMENTS**

- |            |         |               |          |
|------------|---------|---------------|----------|
| D. 85,798  | 12/1931 | Wemple .....  | D10/51 X |
| D. 130,808 | 12/1941 | Stevens ..... | D10/51 X |

- |            |         |                  |            |
|------------|---------|------------------|------------|
| D. 151,905 | 11/1948 | Kronmiller ..... | D10/51 X   |
| D. 185,598 | 6/1959  | Dreyfuss .....   | D10/51 X   |
| D. 213,800 | 4/1969  | Bieger .....     | D10/51 X   |
| D. 249,653 | 9/1978  | McElroy .....    | D10/51     |
| 2,626,379  | 1/1953  | Nickells .....   | 236/46 X   |
| 3,929,284  | 12/1975 | Prewarski .....  | 236/47 X   |
| 4,150,718  | 4/1979  | Kolbow .....     | 236/46 R X |

*Primary Examiner*—Nelson C. Holtje  
*Attorney, Agent, or Firm*—Henry L. Hanson

[57] **CLAIM**

The ornamental design for a clock thermostat, substantially as shown and described.

**DESCRIPTION**

FIG. 1 is a left front perspective view of a clock thermostat showing my new design;  
FIG. 2 is a top plan view thereof;  
FIG. 3 is a front elevational view thereof, the rear, not shown, being substantially flat, plain, and unornamented;  
FIG. 4 is a right side elevational view thereof;  
FIG. 5 is a bottom plan view thereof.

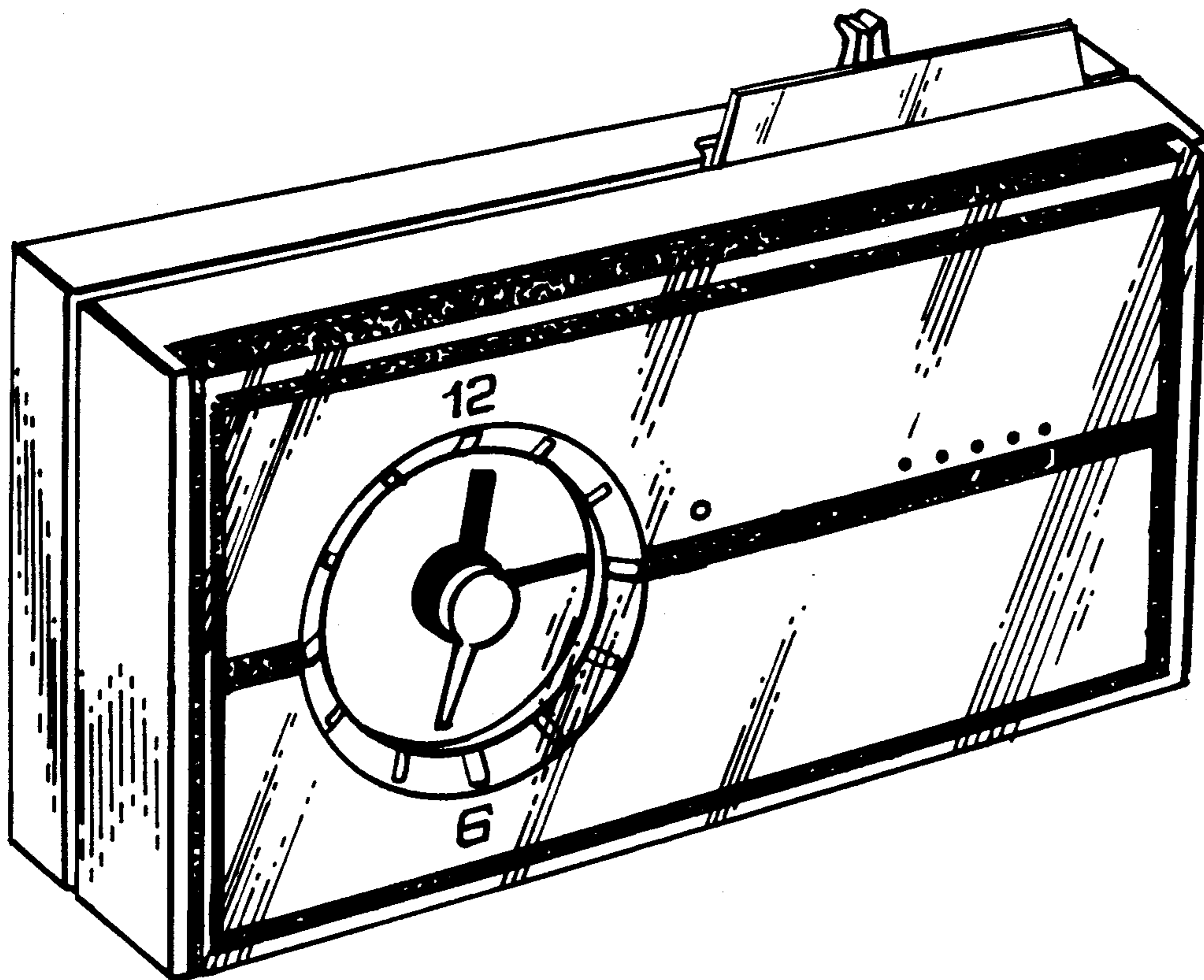


FIG. 1

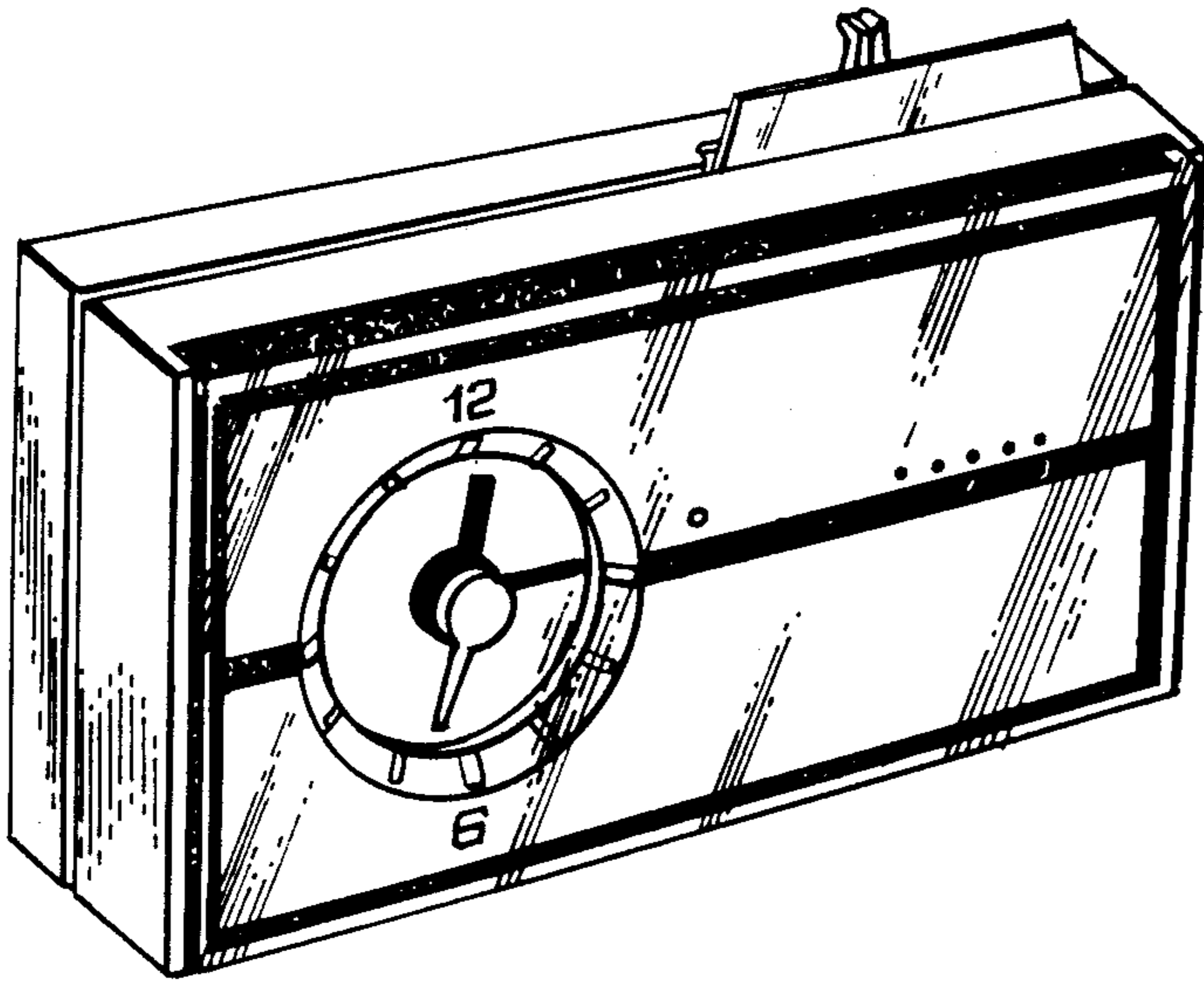


FIG. 2

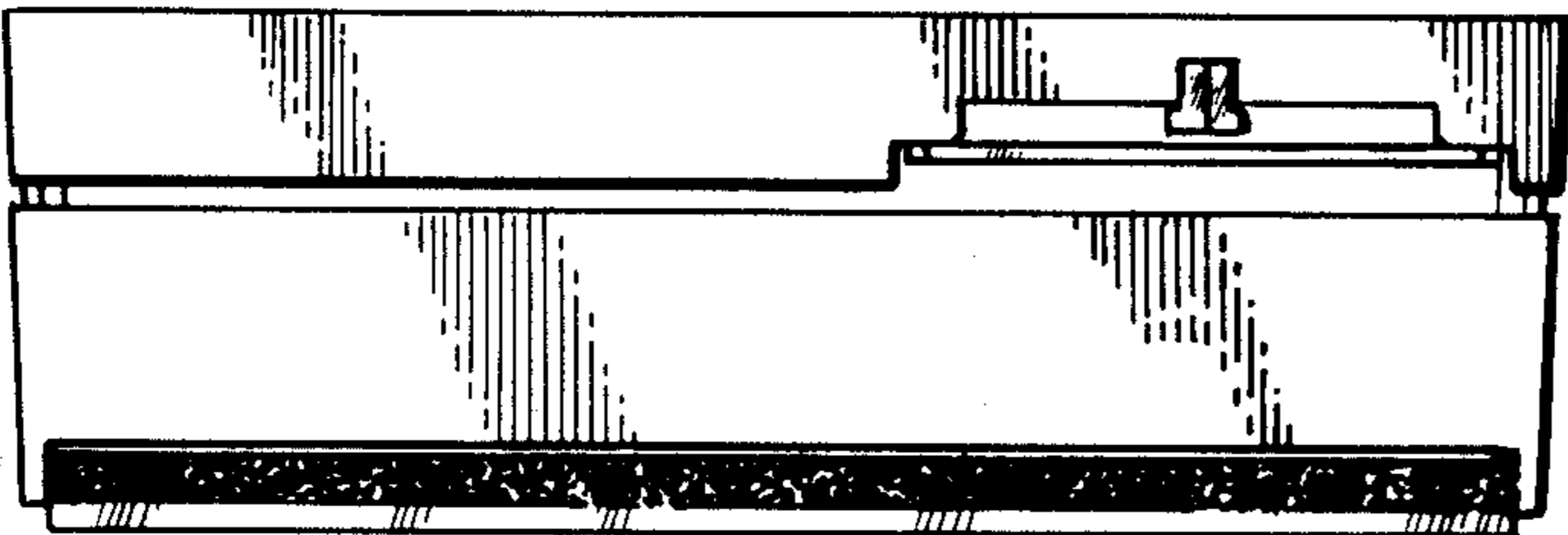


FIG. 3

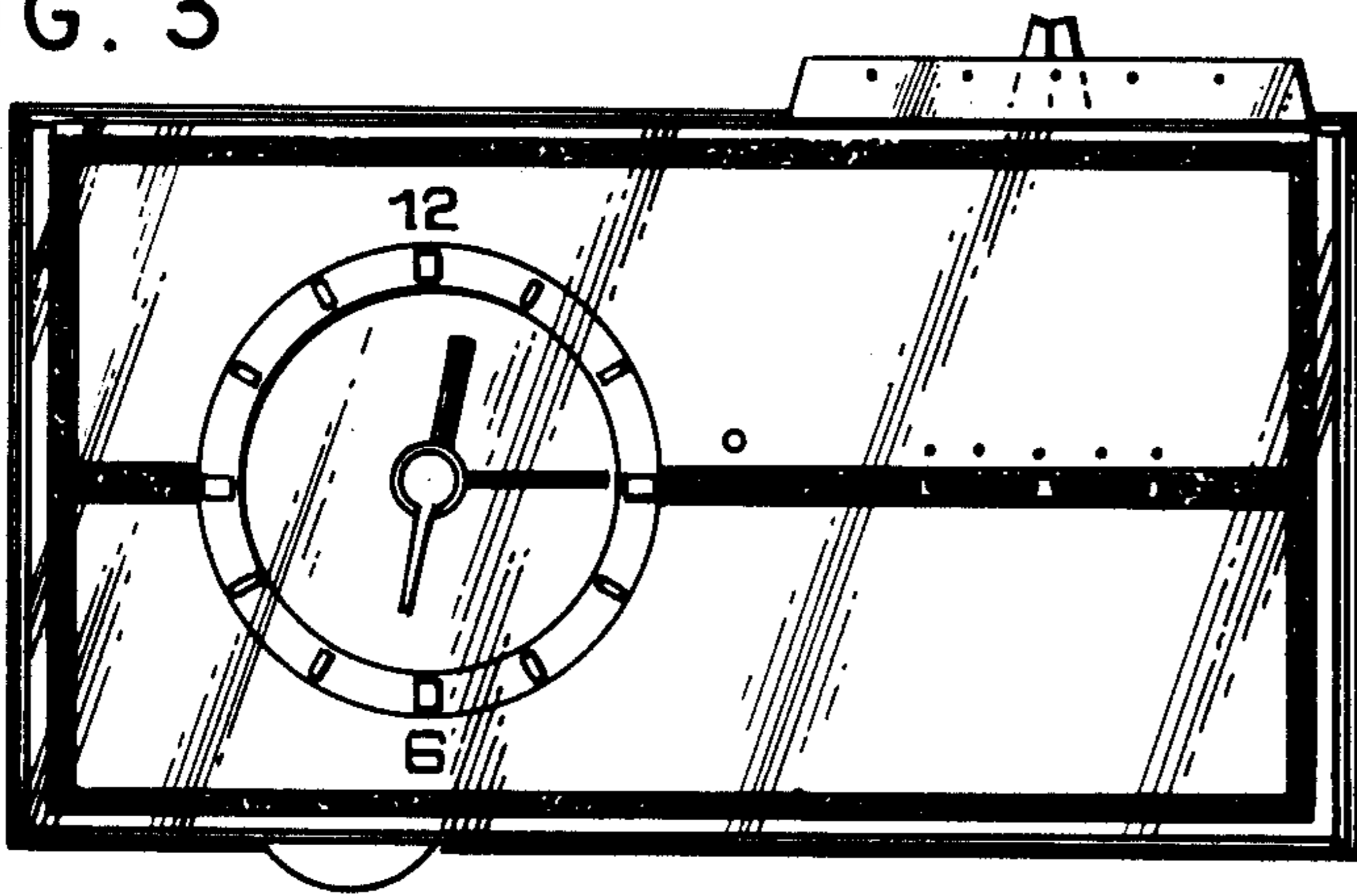


FIG. 4

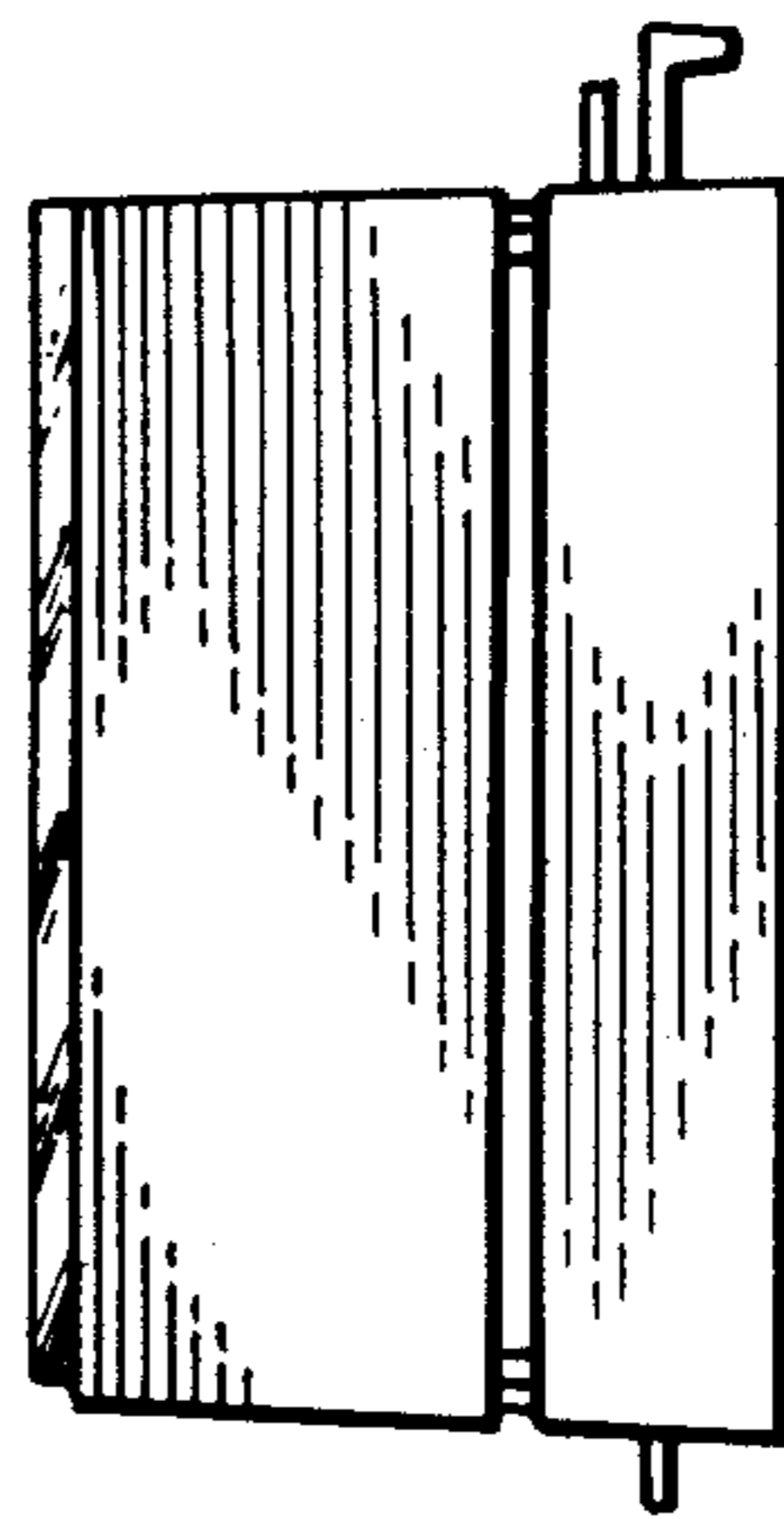


FIG. 5

