

[54] HAND HELD WELDING TOOL

[75] Inventors: Basil D. Crooks; R. Brian P. Bennett, both of Toronto, Canada

[73] Assignee: Northern Telecom Limited, Montreal, Canada

[**] Term: 14 Years

[21] Appl. No.: 807,491

[22] Filed: Jun. 17, 1977

[51] Int. Cl. D8-05

[52] U.S. Cl. D8/30; D8/68

[58] Field of Search D8/30, 68; 219/70, 233, 219/234

[56] References Cited

U.S. PATENT DOCUMENTS

3,097,286 7/1963 Luke 219/233 X

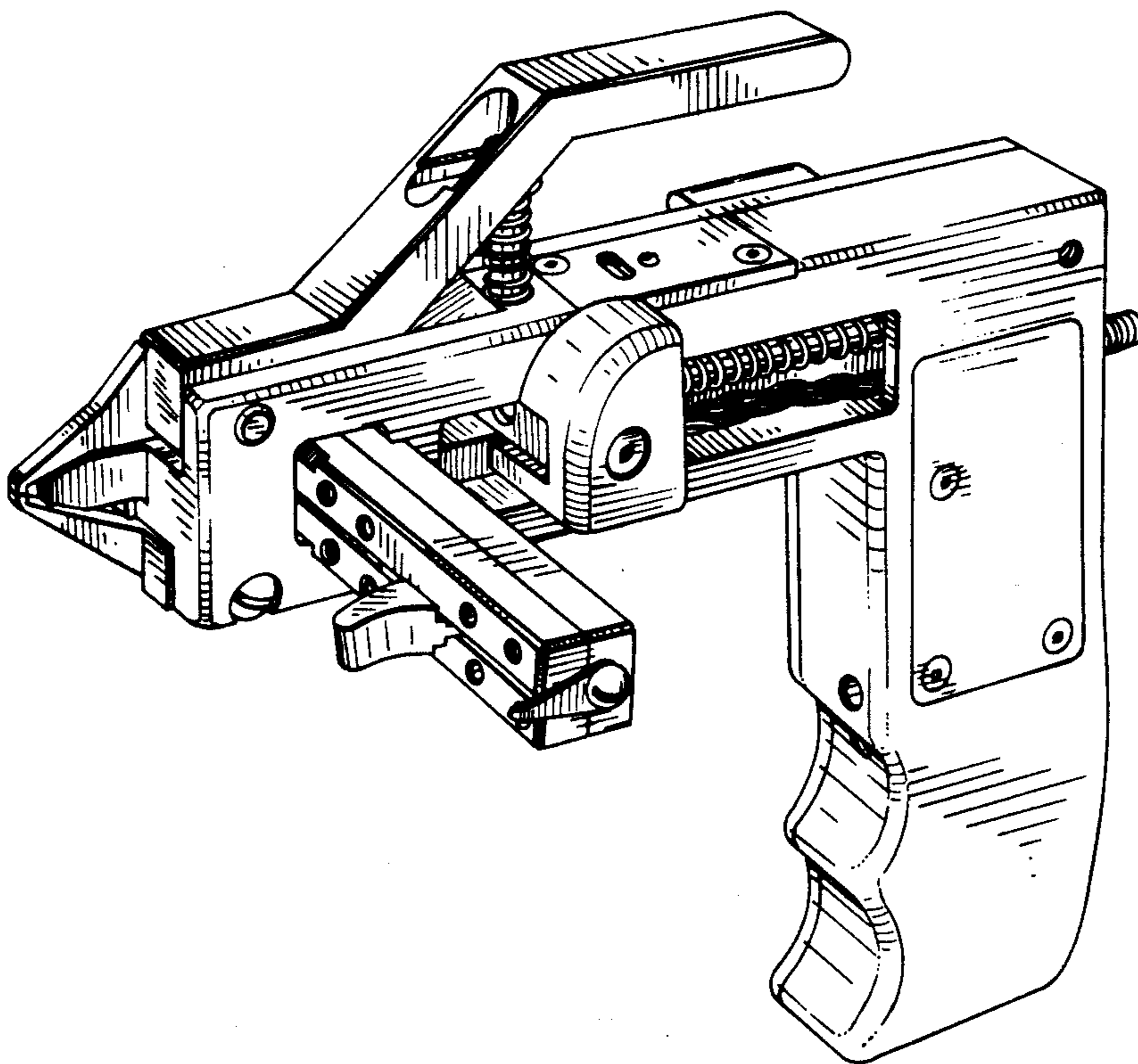
Primary Examiner—Alan P. Douglas
Attorney, Agent, or Firm—Robert L. Westell

[57] CLAIM

The ornamental design for a hand held welding tool, as shown.

DESCRIPTION

FIG. 1 is a perspective view of the device from above and in front on one side,
FIG. 2 is a perspective view of the device from below and the rear on the other side.



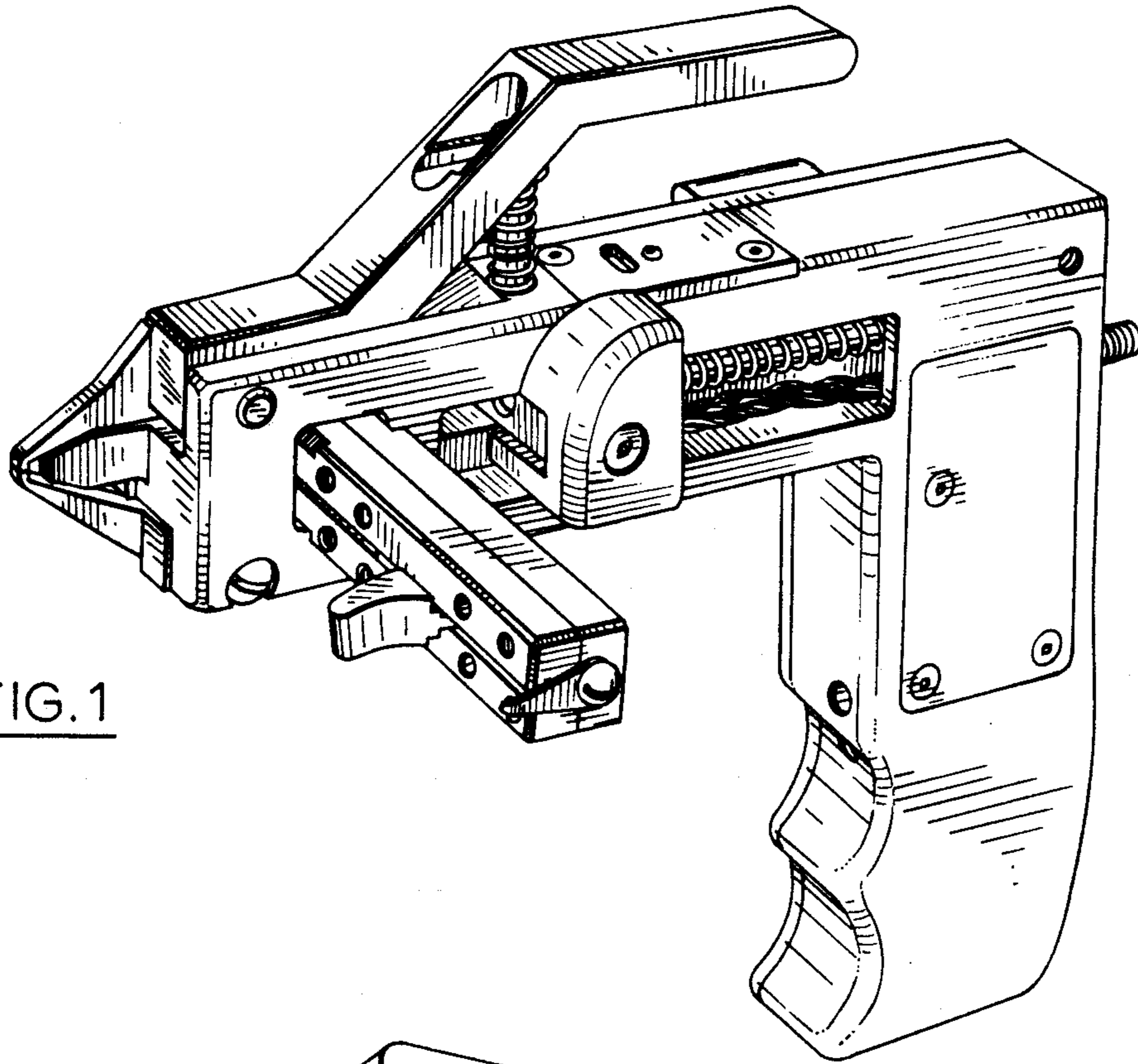


FIG. 1

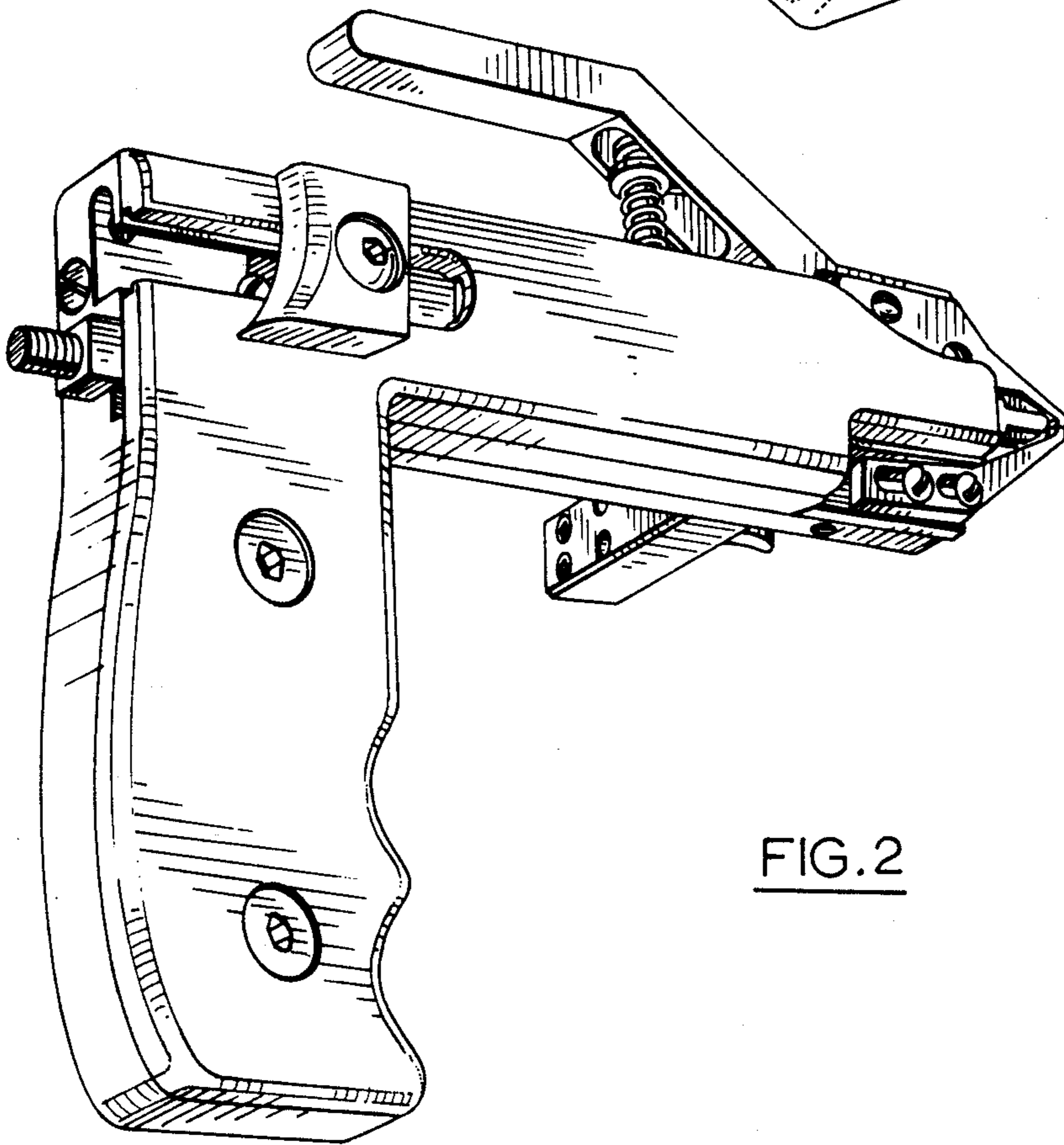


FIG. 2