

[54] STAND FOR A MIXER

[75] Inventors: Robert O. Ernest, Oak Park; Richard K. Thomas, Elk Grove Village; Gordon T. Guth, Evanston, all of Ill.

[73] Assignee: Sunbeam Corporation

[**] Term: 14 Years

[21] Appl. No.: 924,593

[22] Filed: Jul. 14, 1978

[51] Int. Cl. D07-04

[52] U.S. Cl. D7/160; D7/159

[58] Field of Search D7/153, 157, 158, 159, D7/160; D15/98, 99, 121; 366/205, 314; 74/16

[56] References Cited

U.S. PATENT DOCUMENTS

D. 120,342 5/1940 Geiger et al. D7/159

D. 160,295 10/1950 Bec Var D7/159
D. 194,473 1/1963 Reed D7/159
D. 210,682 4/1968 De Fano et al. D7/159
D. 242,109 11/1976 da Silva, Jr. D7/159

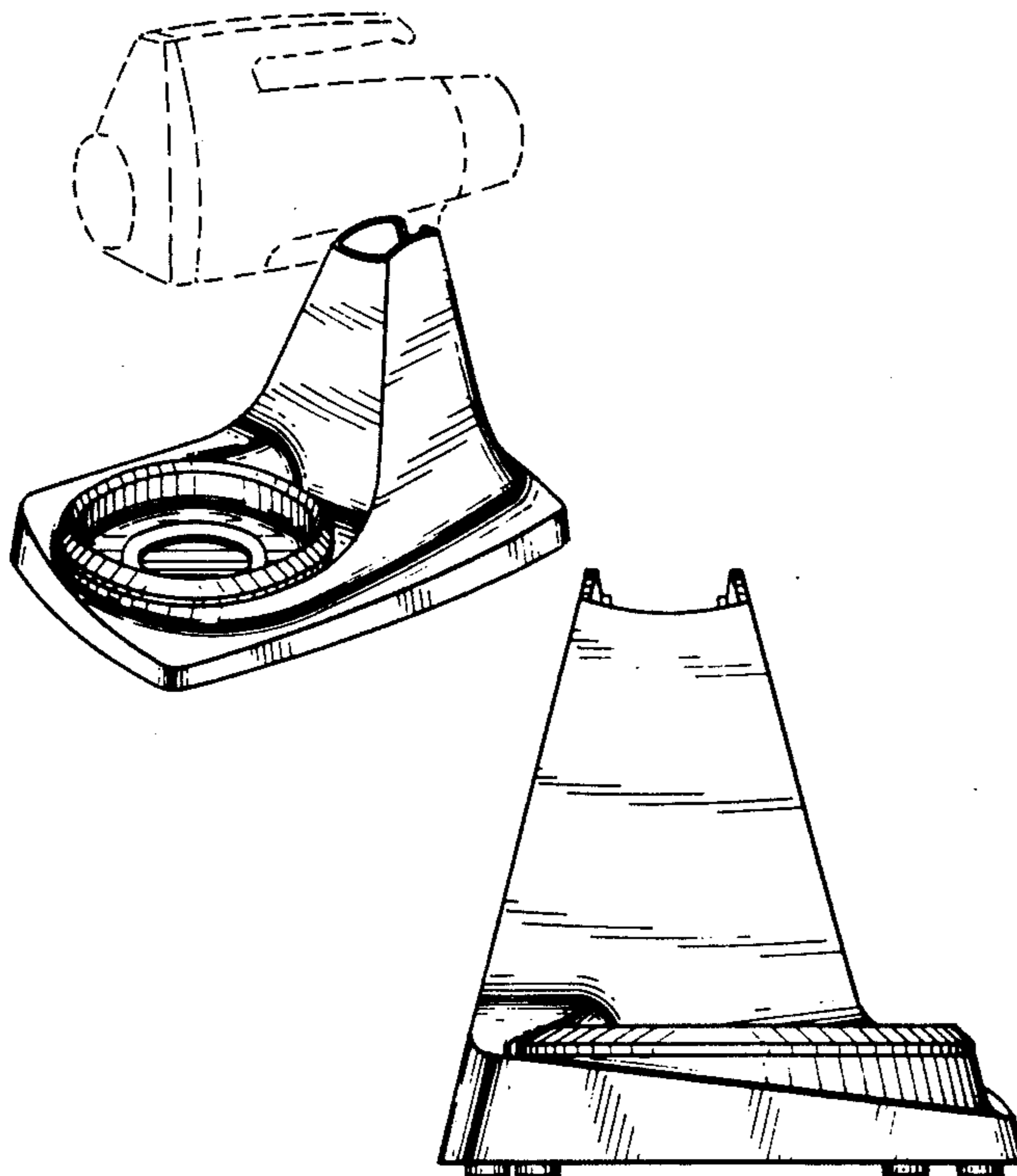
Primary Examiner—Winifred E. Herrmann
Attorney, Agent, or Firm—George R. Clark

[57] CLAIM

The ornamental design for a stand for a mixer, as shown and described.

DESCRIPTION

FIG. 1 is a perspective view of a stand for a mixer showing our new design, the broken line showing of the mixer being for illustrative purposes only; FIG. 2 is a front elevational view thereof; FIG. 3 is a left side elevational view thereof; FIG. 4 is a top plan view thereof; FIG. 5 is a rear elevational view thereof; and FIG. 6 is a fragmentary sectional view thereof taken on line 6-6 of FIG. 4.



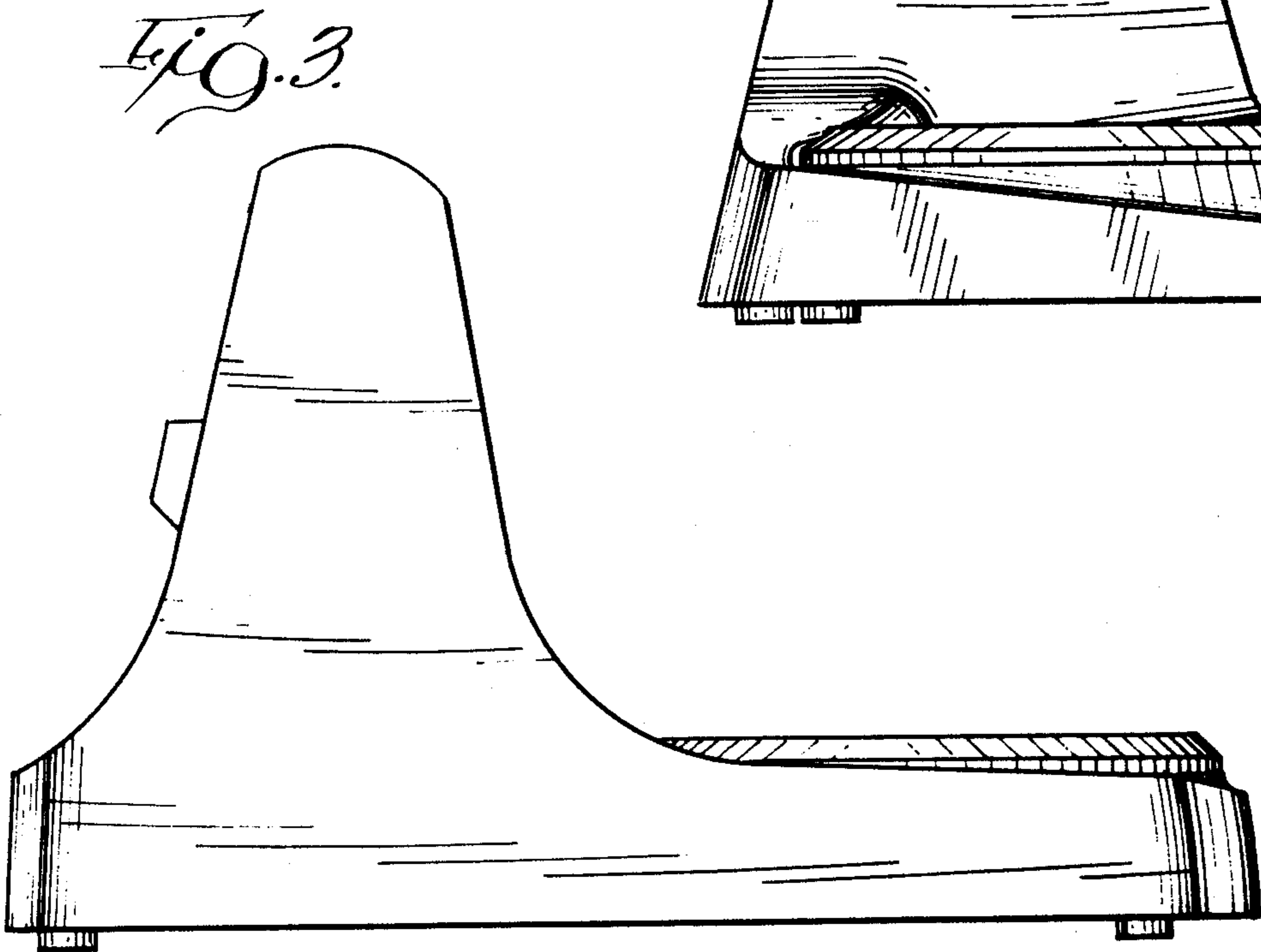
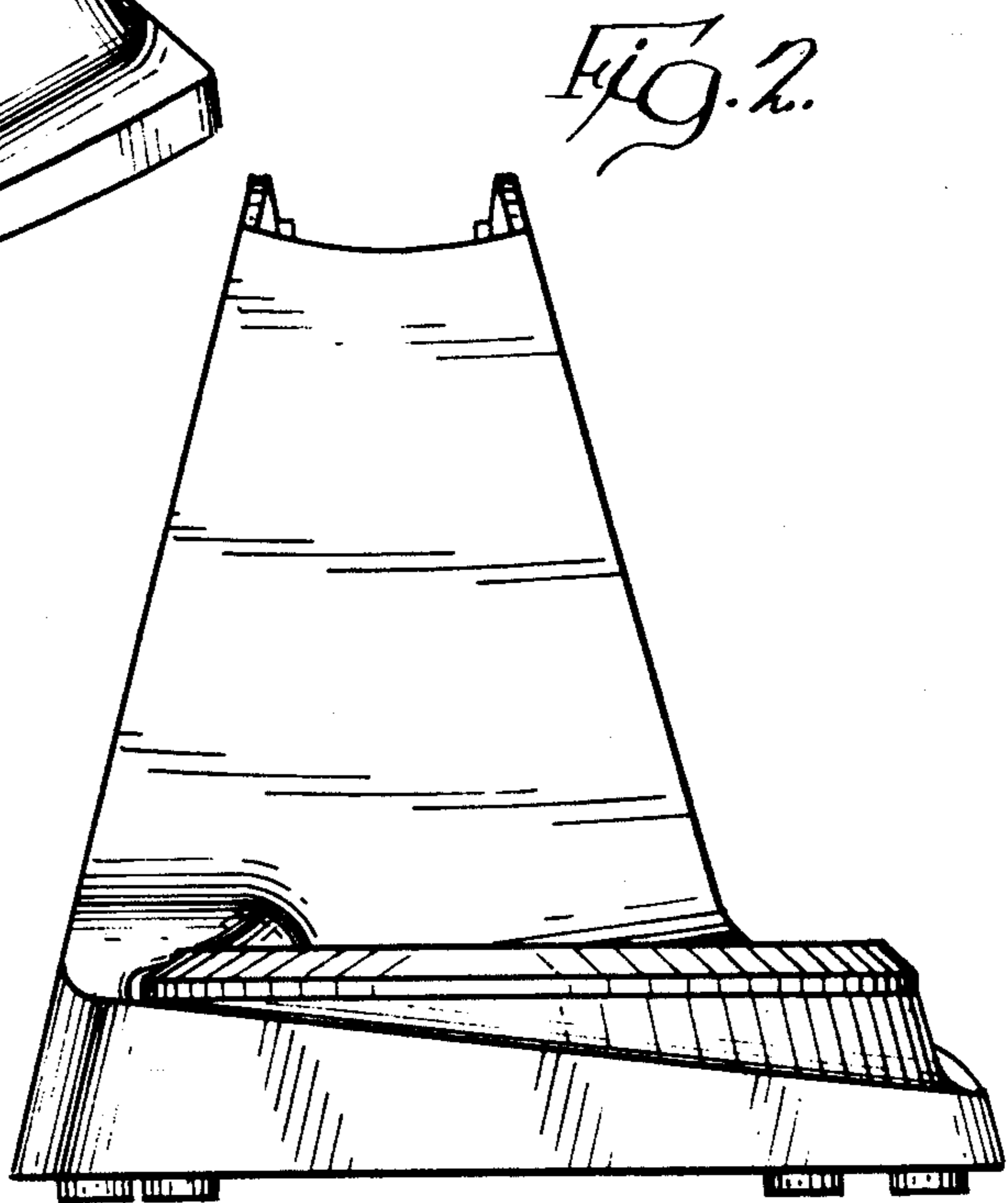
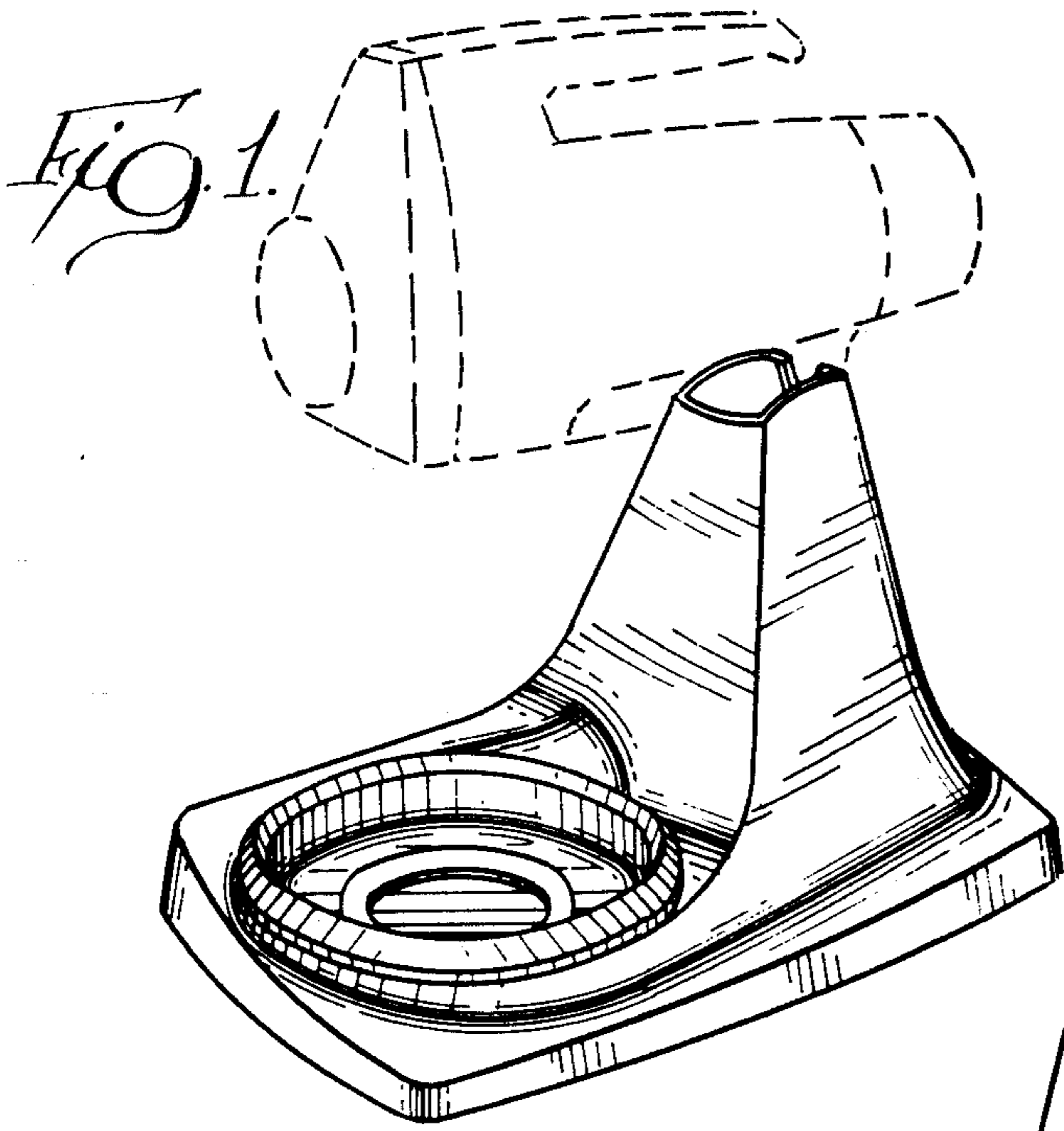


Fig. 4.
← 6.

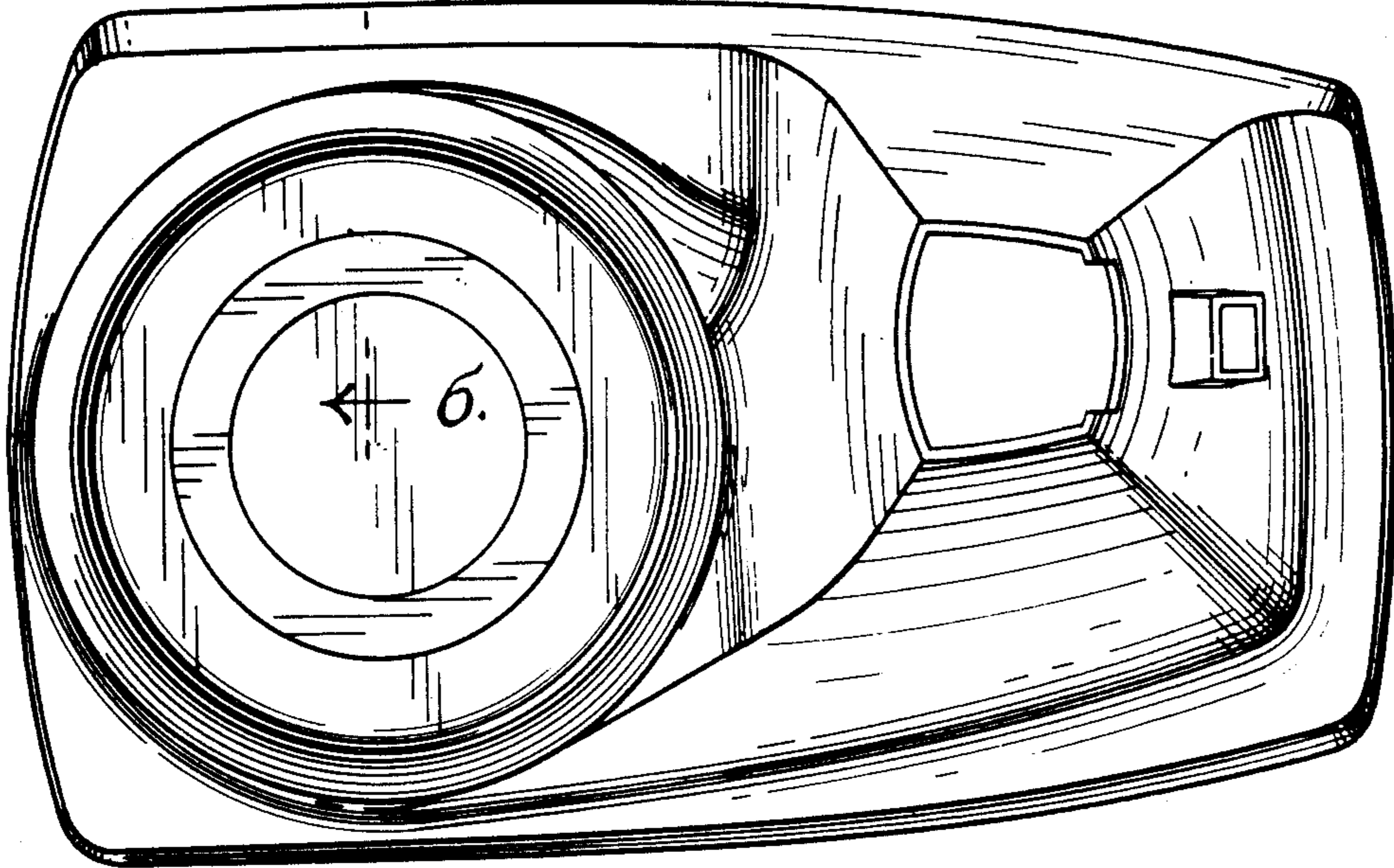


Fig. 5.

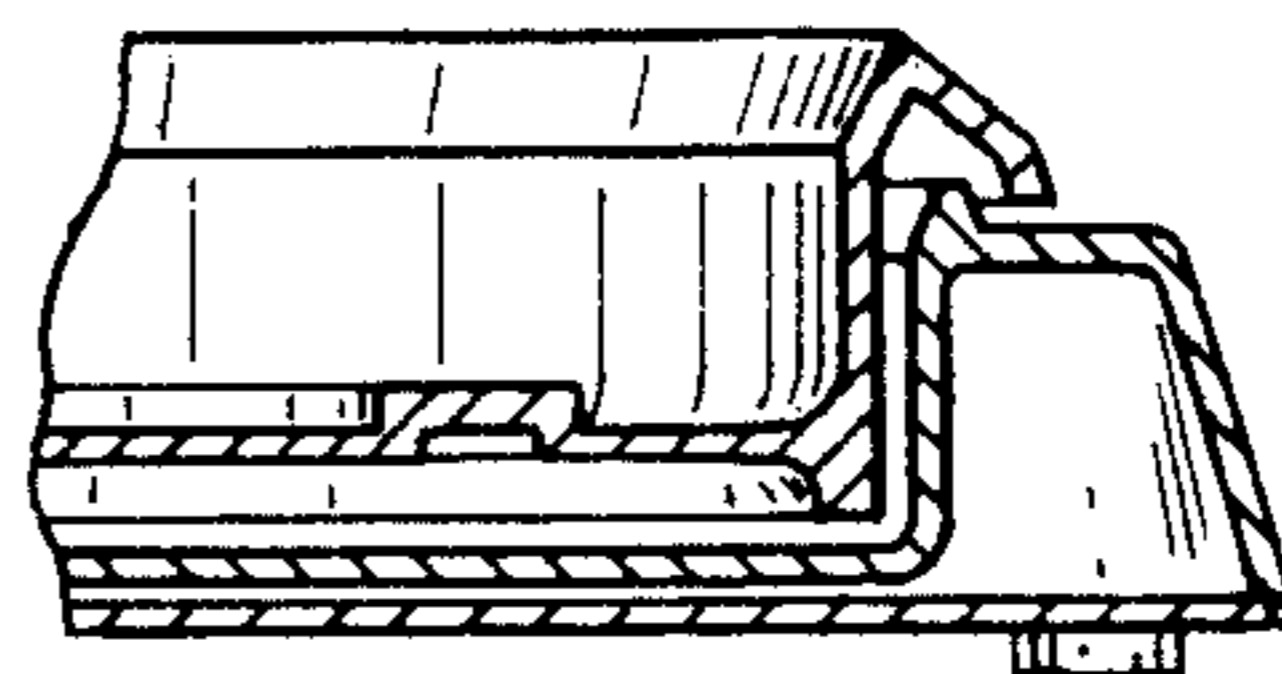
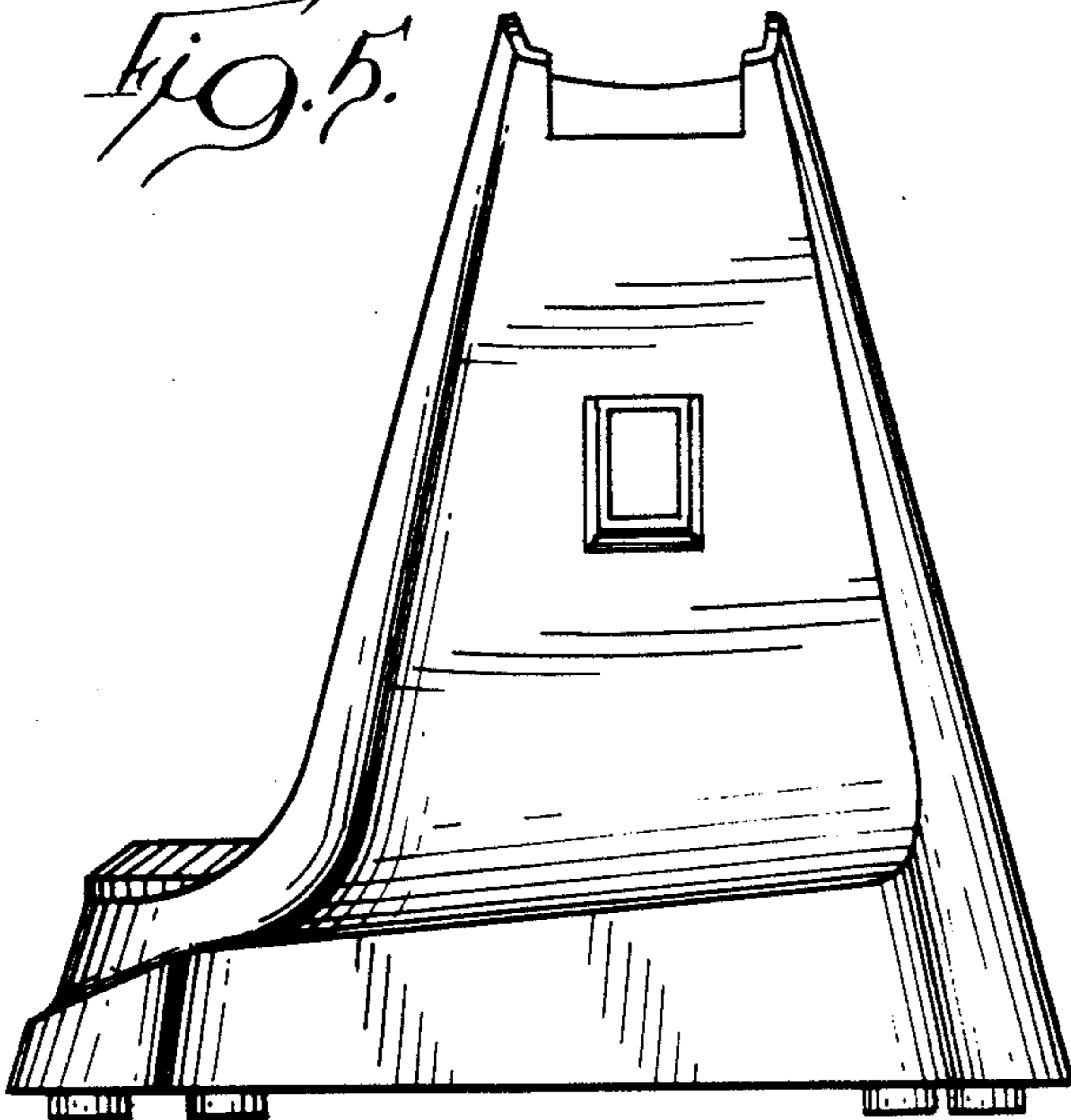


Fig. 6.