

[54] **FOLDAWAY GRILL**

[75] Inventor: **Robert M. Nichols, Jr., Buffalo, N.Y.**

[73] Assignee: **Great Lakes Pressed Steel Corporation, Buffalo, N.Y.**

[**] Term: **14 Years**

[21] Appl. No.: **859,655**

[22] Filed: **Dec. 12, 1977**

[51] Int. Cl. **D7-02**

[52] U.S. Cl. **D7/107**

[58] Field of Search **D7/107, 110; 126/9, 126/25, 29, 30**

[56] **References Cited**

U.S. PATENT DOCUMENTS

- 2,780,215 2/1957 Vacanti, Jr. 126/25 A X
- 2,917,039 12/1959 Sheedlo 126/9 R

FOREIGN PATENT DOCUMENTS

- 673629 11/1963 Canada 126/25 R

Primary Examiner—Catherine E. Kemper
Attorney, Agent, or Firm—John B. Bean

[57] **CLAIM**

The ornamental design for a foldaway grill, as shown and described.

DESCRIPTION

FIG. 1 is a top plan view of a foldaway grill showing my new design, when arranged in a stored condition; FIG. 2 is a bottom plan view thereof; FIG. 3 is an end elevational view thereof; FIG. 4 is an opposite end elevational view thereof; FIG. 5 is a side elevational view thereof; FIG. 6 is an opposite side elevational view thereof; FIG. 7 is an exploded front perspective view thereof, when arranged in an erected condition; and FIG. 8 is an exploded rear perspective view thereof, when arranged in an erected condition.

The characteristic feature of my design resides in the specific configuration of the grill portion in combination with the leg supports.

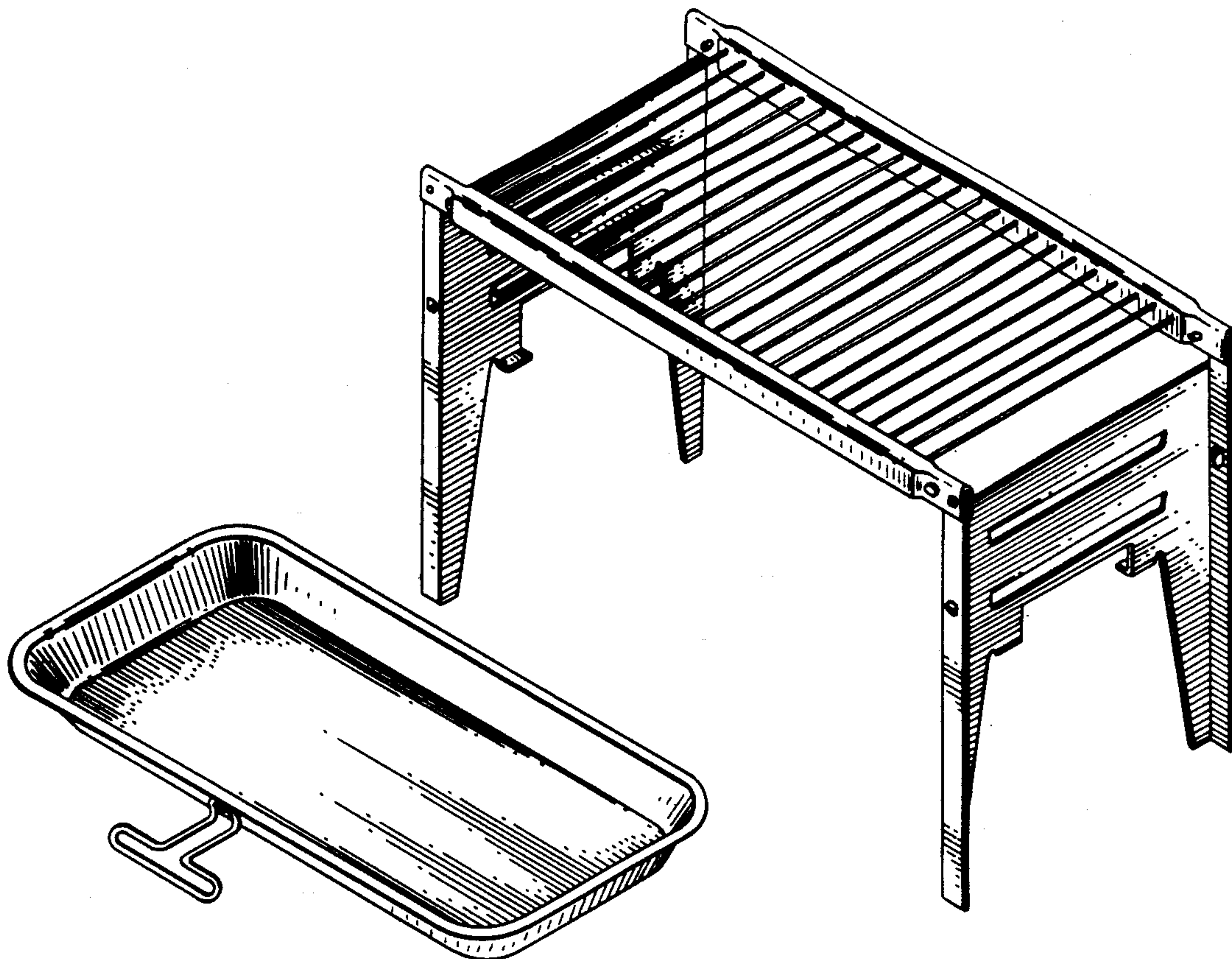


Fig. 1.

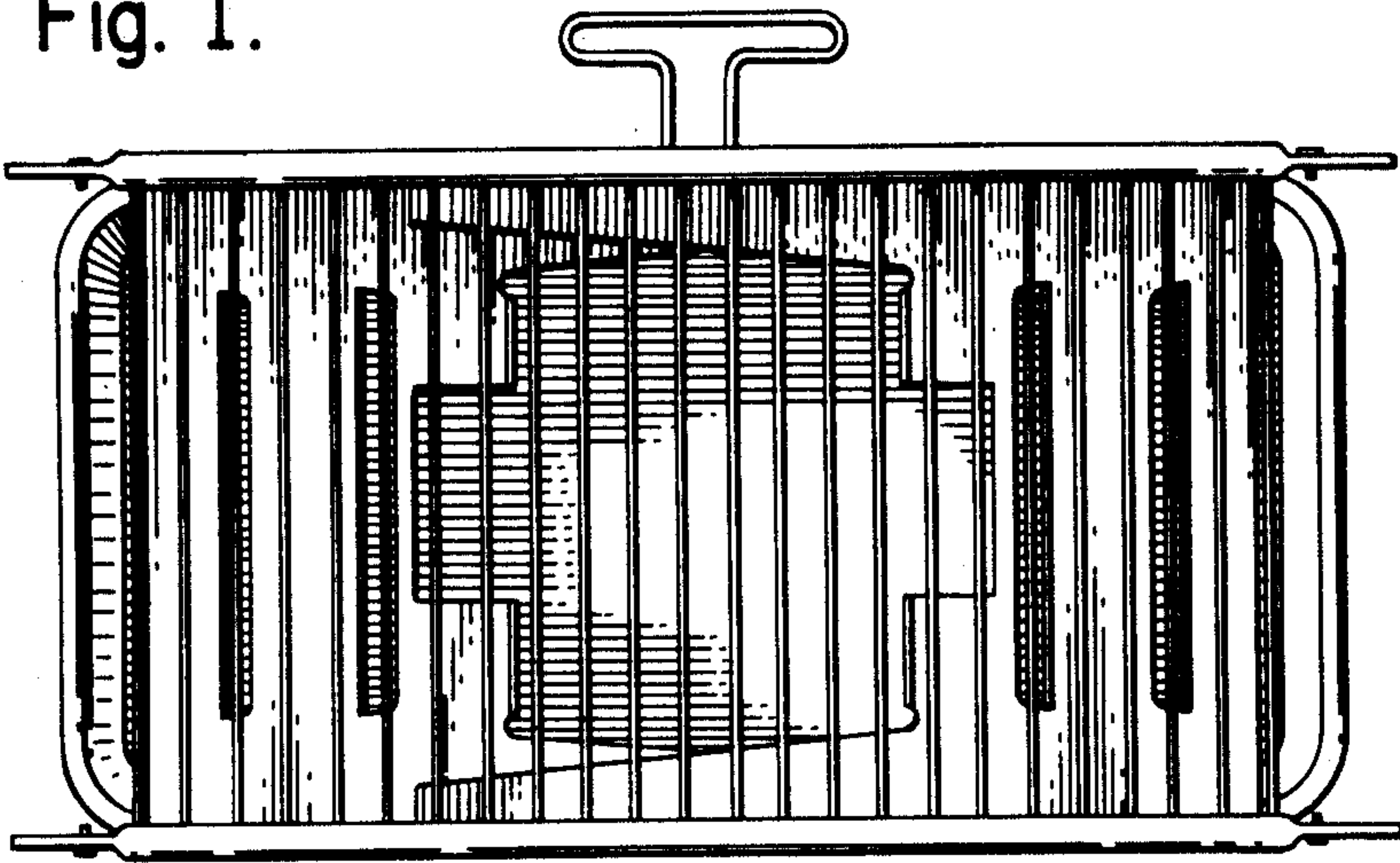


Fig. 3.

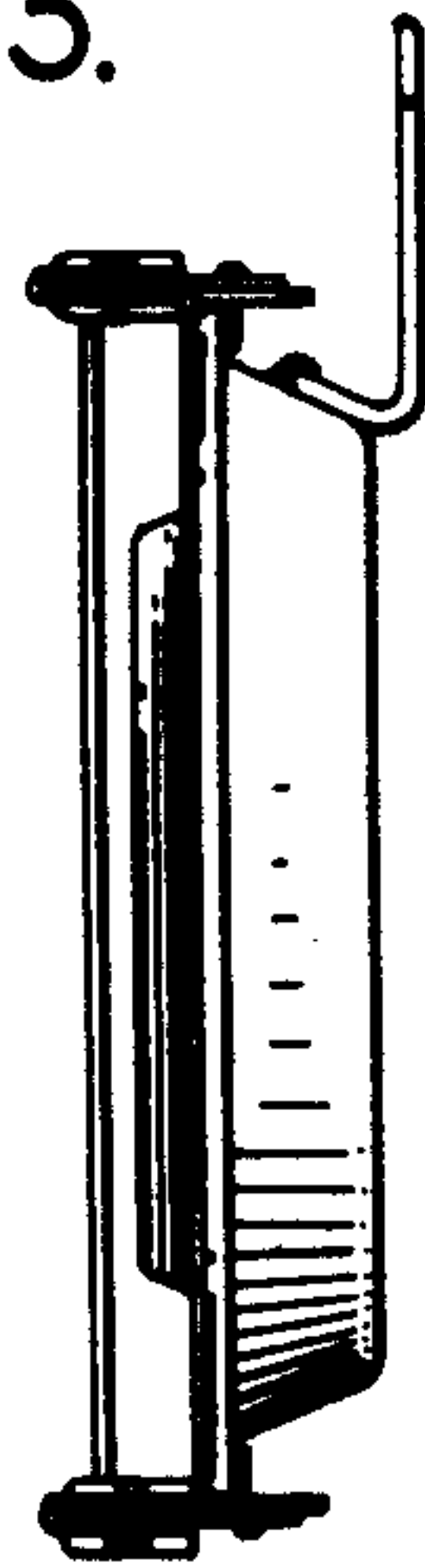


Fig. 2.

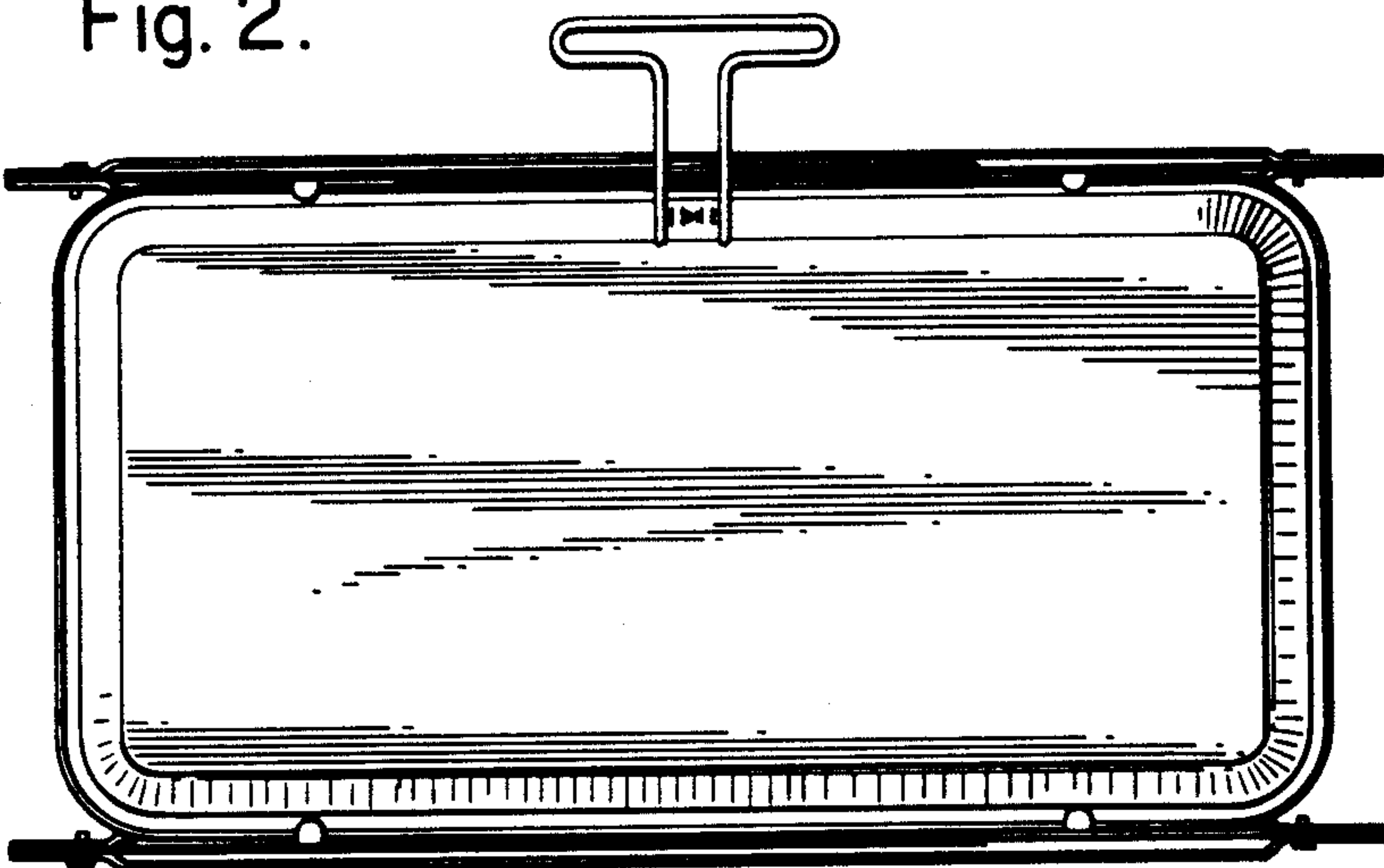


Fig. 4.

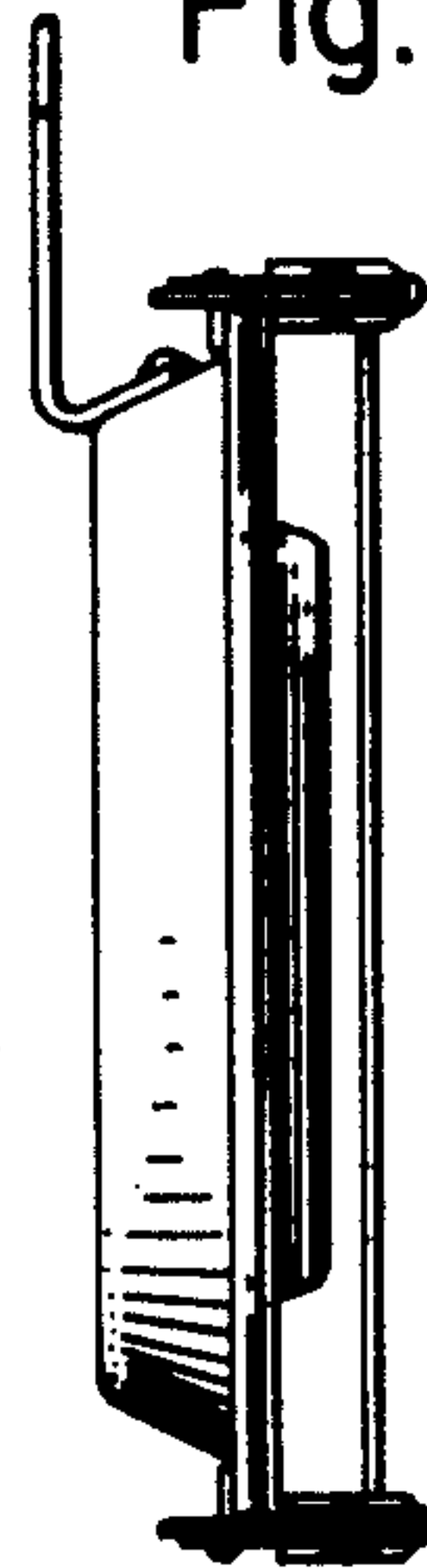


Fig. 5.

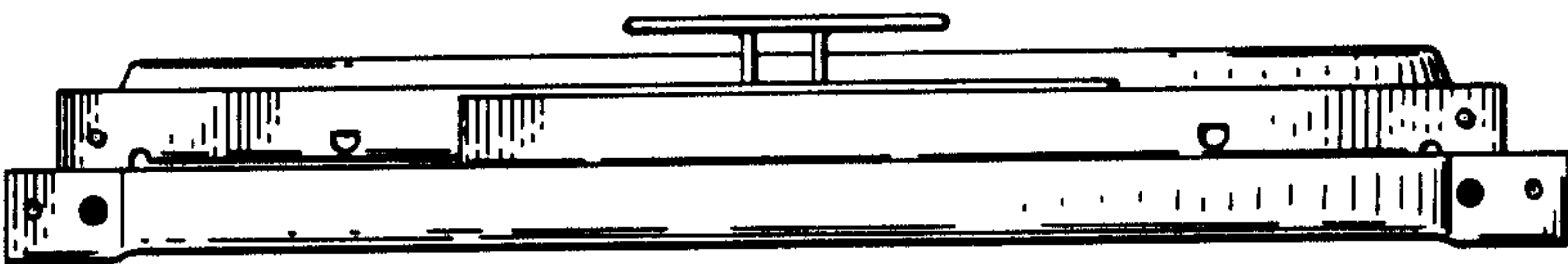


Fig. 6

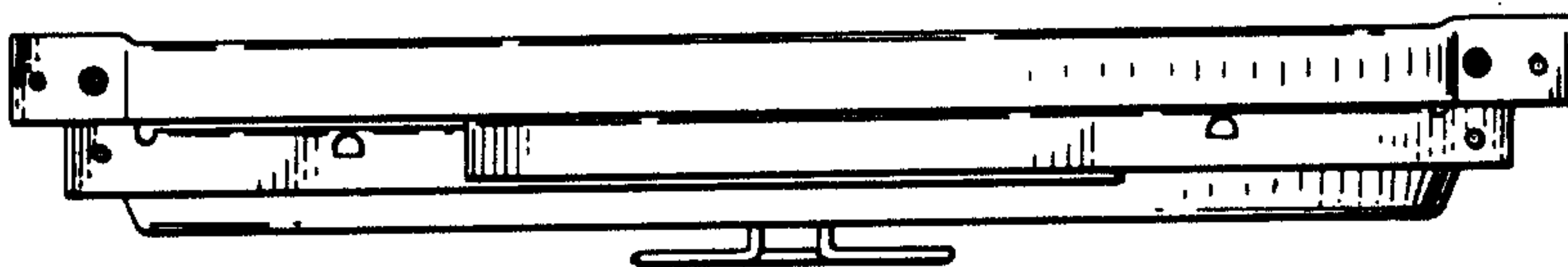


Fig. 7.

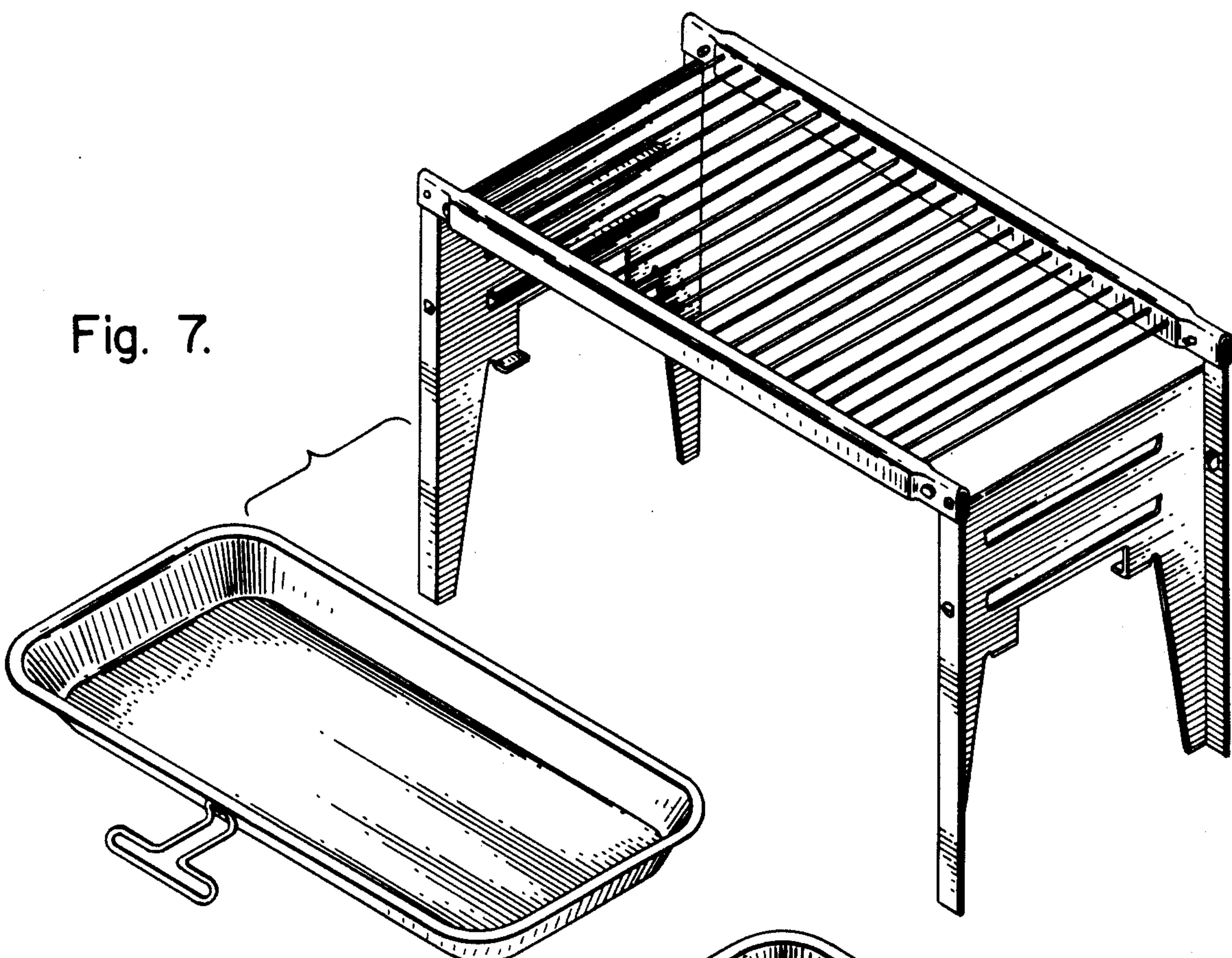


Fig. 8.

