

[54] MEASURING SPOON OR THE LIKE

D. 215,331 9/1969 Swett D7/50

[75] Inventor: Robert H. C. M. Daenen, Hekelgem, Belgium

OTHER PUBLICATIONS

House & Garden, Oct. 1973, p. 155, 11-Piece Measuring Set—Miles Kimball Co. Adv.

[73] Assignee: Dart Industries Inc., Los Angeles, Calif.

Primary Examiner—Winifred E. Herrmann
Attorney, Agent, or Firm—Leigh B. Taylor

[**] Term: 14 Years

[57] CLAIM

[21] Appl. No.: 871,059

The ornamental design for a measuring spoon or the like, substantially as shown.

[22] Filed: Jan. 20, 1978

DESCRIPTION

[51] Int. Cl. D7—03

[52] U.S. Cl. D7/50; D7/138

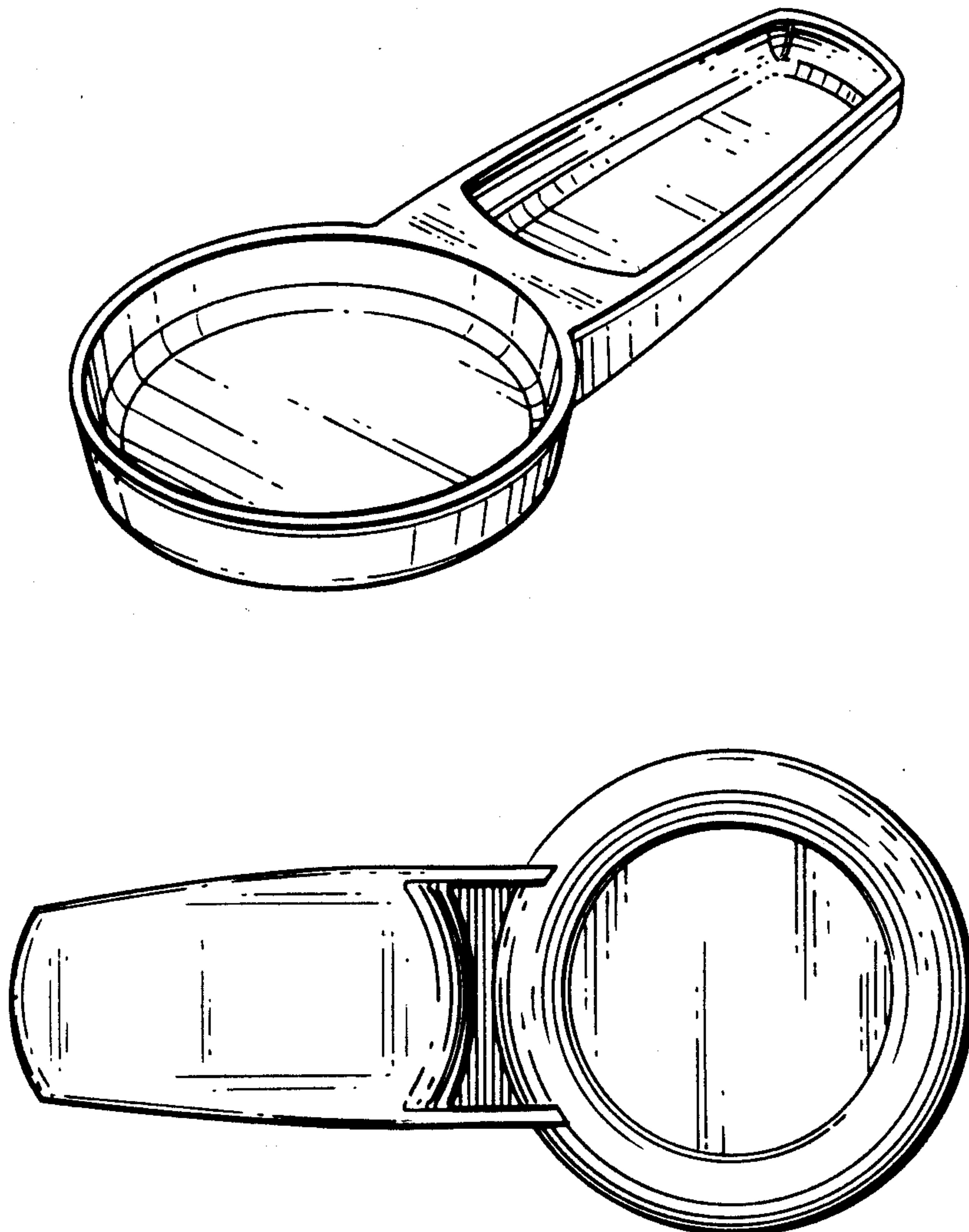
[58] Field of Search D7/50, 138, 137, 151, D7/152, 141, 149

FIG. 1 is a top perspective view of a measuring spoon or the like showing my new design;
FIG. 2 is a side elevational view thereof;
FIG. 3 is a top plan view thereof;
FIG. 4 is a bottom plan view thereof;
FIG. 5 is a front view thereof;
FIG. 6 is a rear view thereof; and,
FIG. 7 is a cross-sectional view thereof taken along line 7—7 of FIG. 3.

[56] References Cited

U.S. PATENT DOCUMENTS

D. 127,543	5/1941	Strand, Jr.	D7/50
D. 136,022	7/1943	Phillips	D7/50
D. 167,747	9/1952	Hasenstab	D7/50



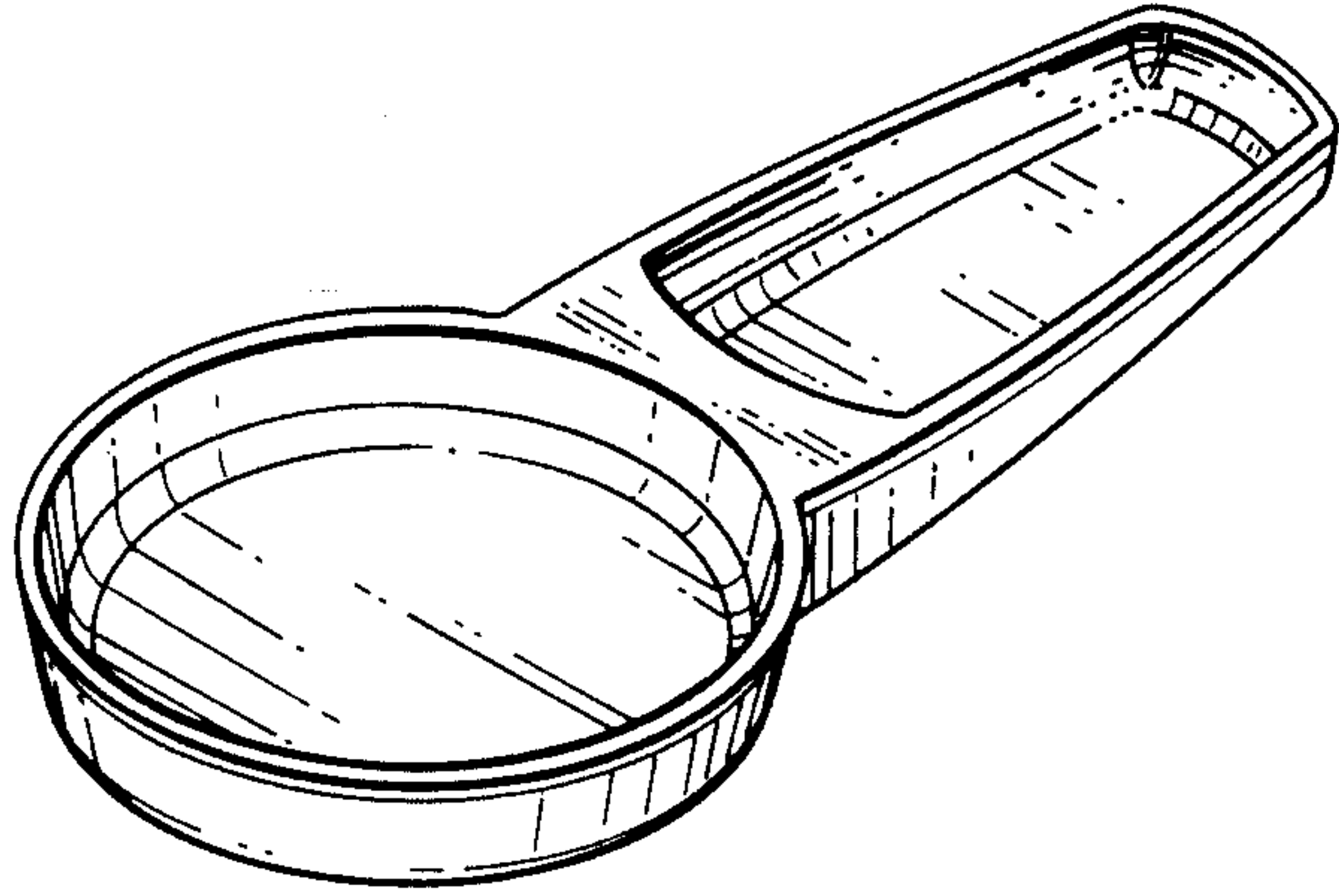


FIG. 1

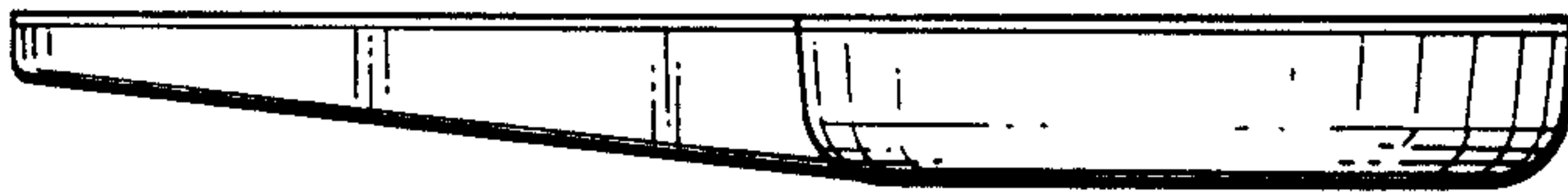


FIG. 2

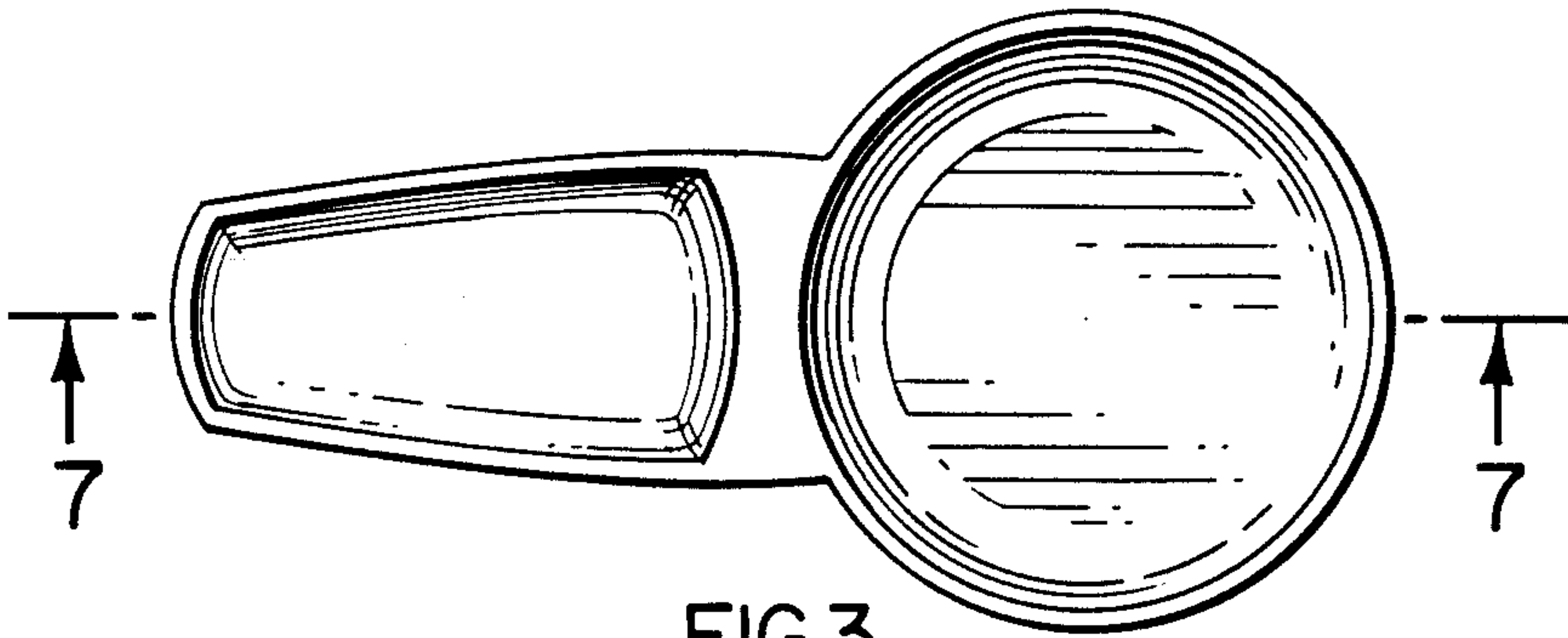


FIG. 3

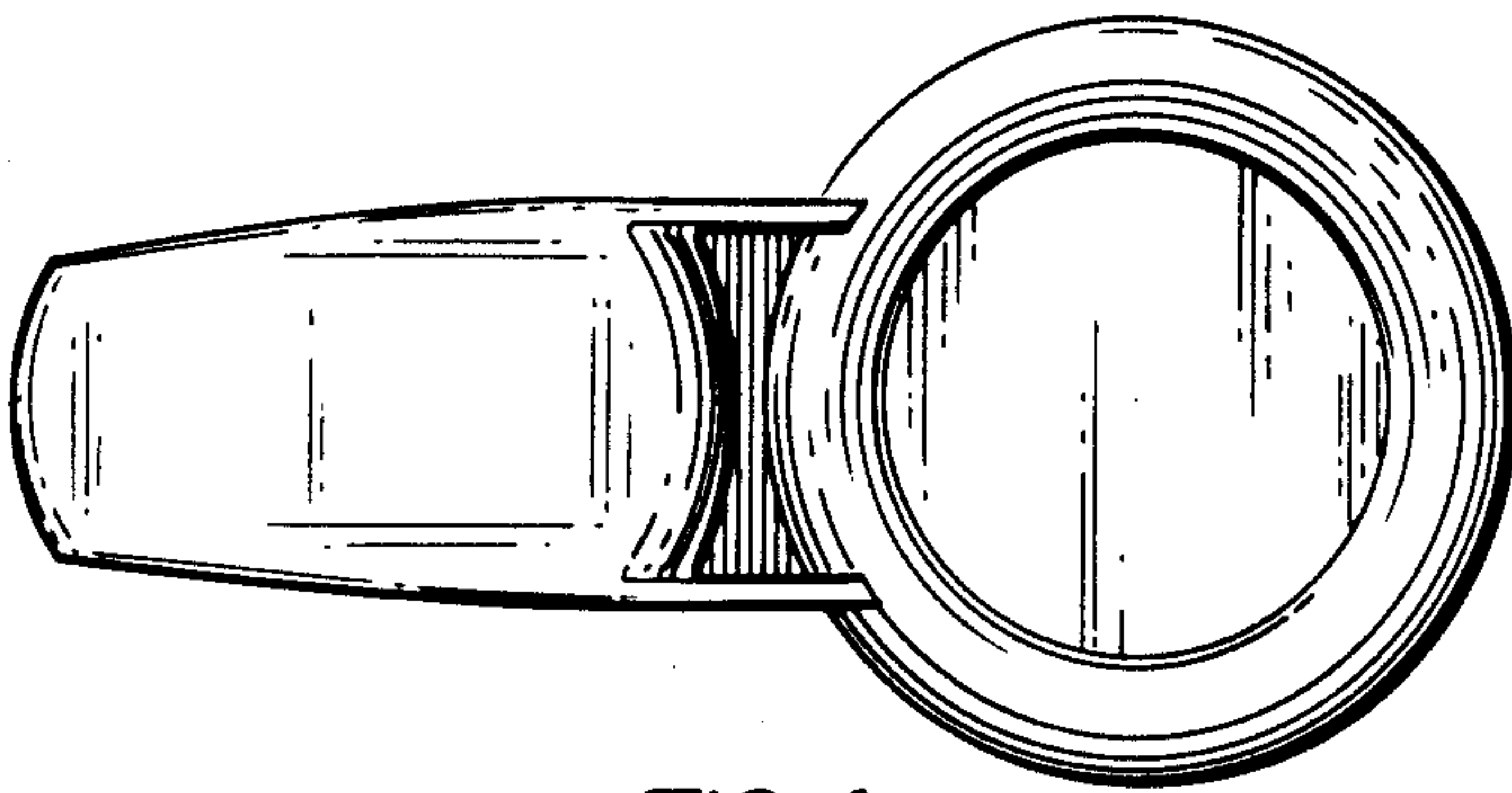


FIG. 4



FIG. 5

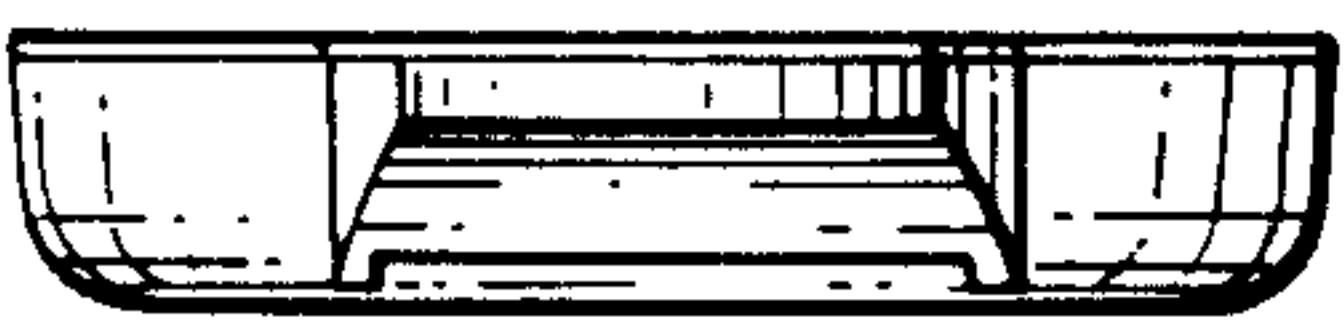


FIG. 6



FIG. 7