

[54] COMBINED FOOD STORAGE AND SERVING CUP OR THE LIKE

D. 243,912 4/1977 Daenen ..... D9/220 X  
D. 244,415 5/1977 Daenen ..... D9/220 X  
2,412,325 12/1946 Devine et al. .... D7/17 X

[75] Inventor: Robert H. C. M. Daenen, Hekelgem, Belgium

OTHER PUBLICATIONS

*Stile Industria*, Dec. 1962, p. 34, Bowl shown at top r. of clipping.

[73] Assignee: Dart Industries Inc., Los Angeles, Calif.

*Primary Examiner*—Winifred E. Herrmann  
*Attorney, Agent, or Firm*—Leigh B. Taylor

[\*\*] Term: 14 Years

[57] CLAIM

[21] Appl. No.: 863,767

The ornamental design for a combined food storage and serving cup or the like, substantially as shown.

[22] Filed: Dec. 23, 1977

[51] Int. Cl. .... D07—01

[52] U.S. Cl. .... D7/23

[58] Field of Search ..... D7/2, 22, 27, 23, 1, D7/3, 76, 17; D9/220, 219; D11/152, 153, 154

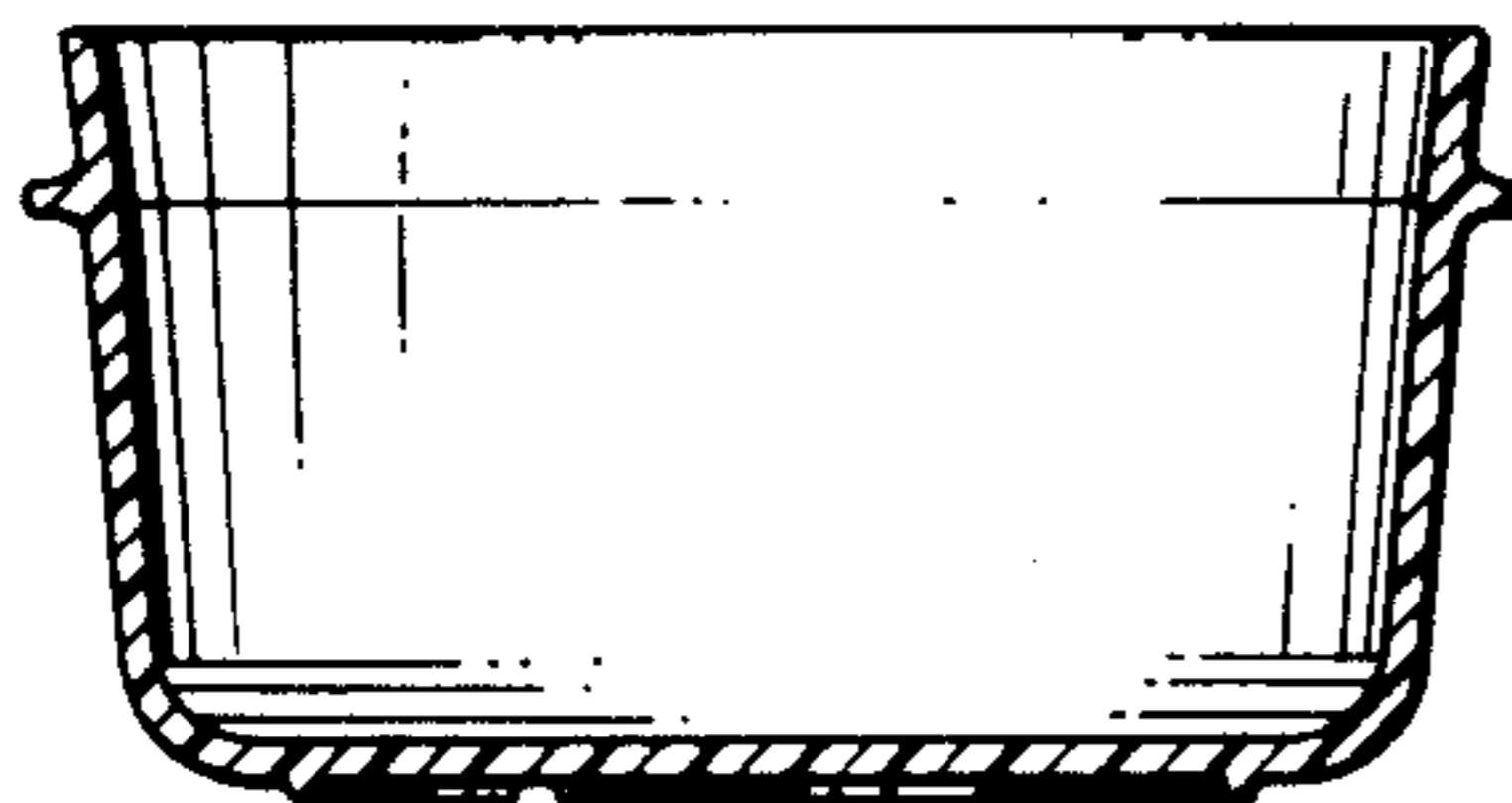
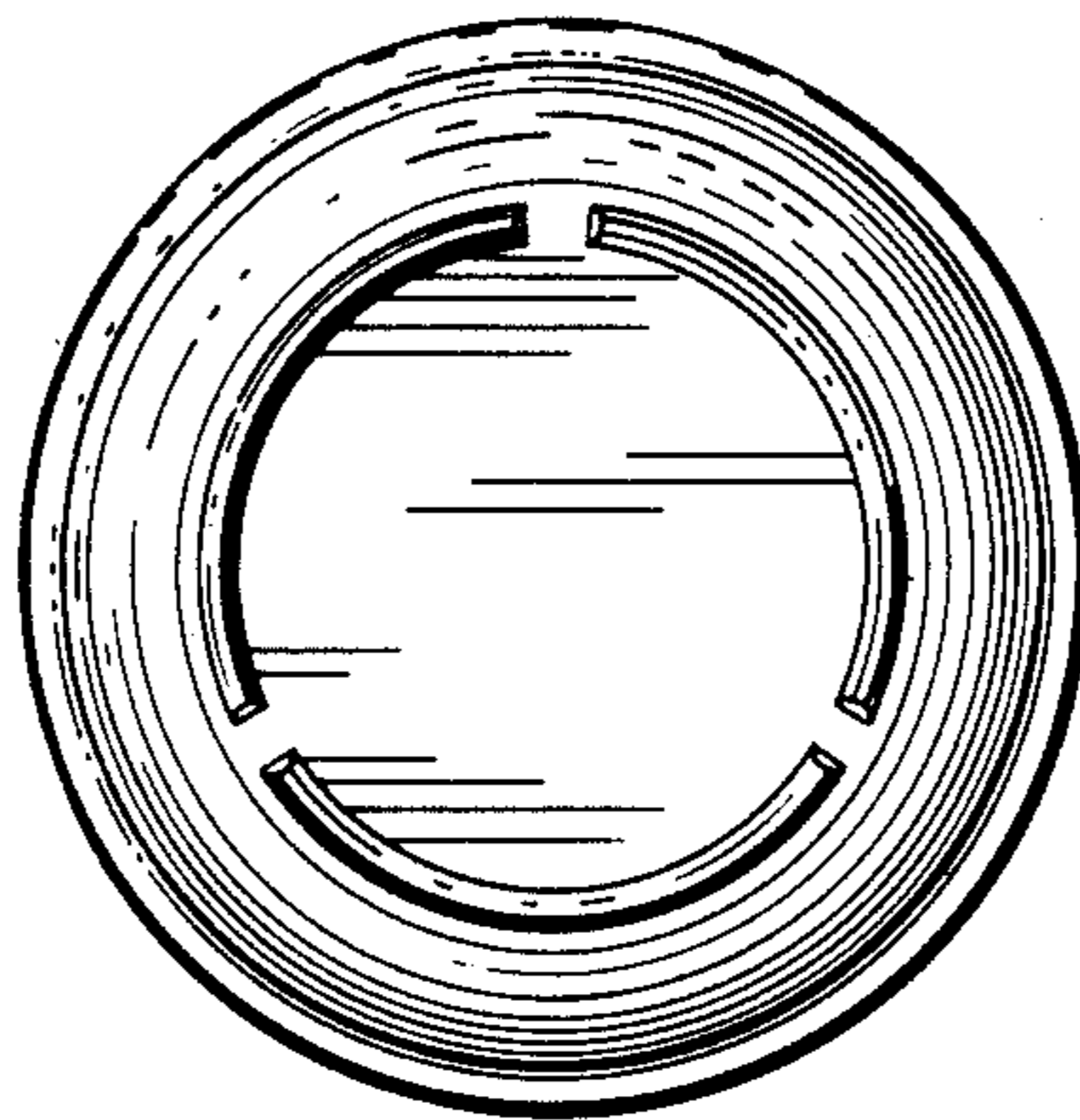
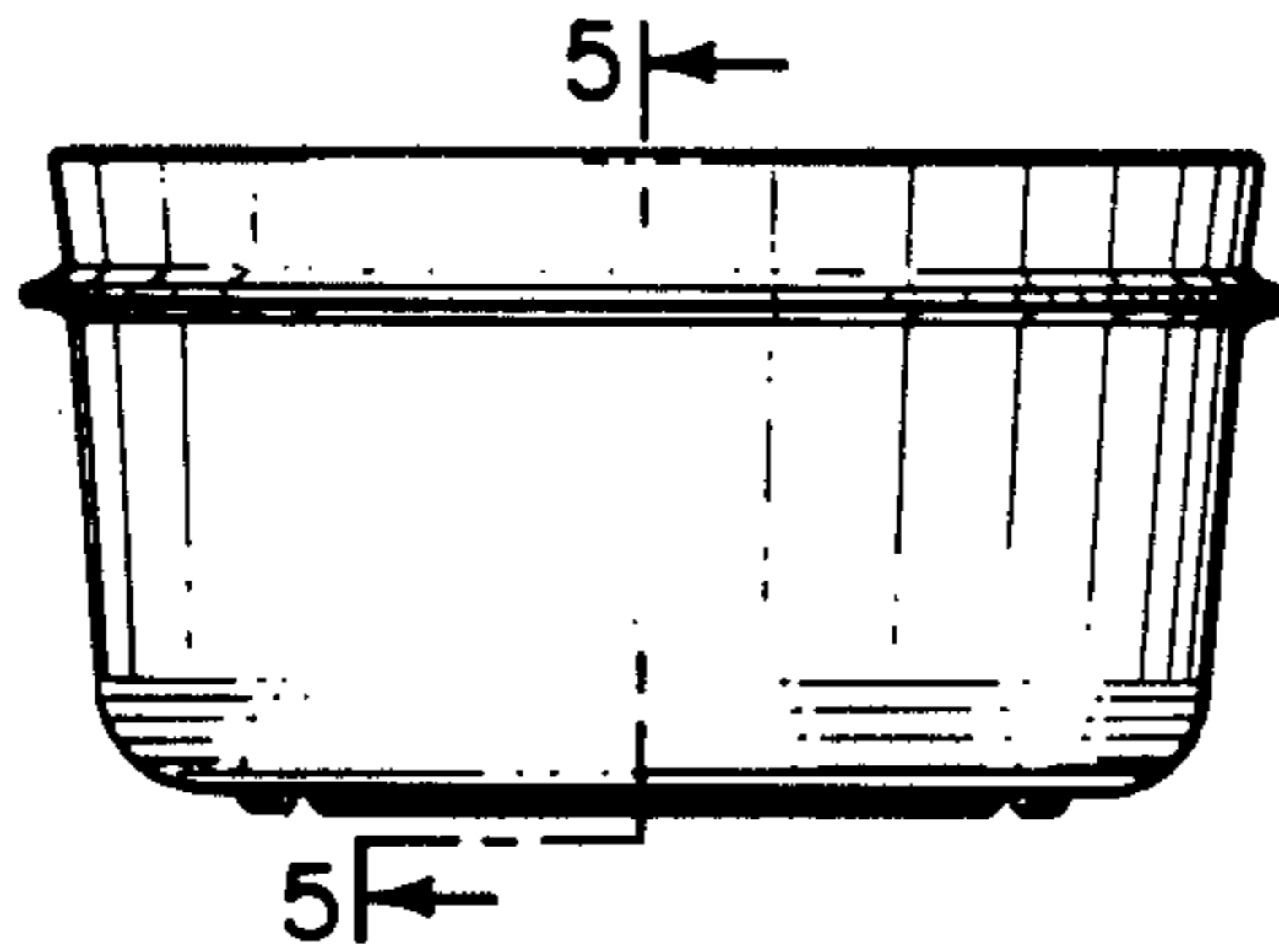
DESCRIPTION

FIG. 1 is a perspective view of a combined food storage and serving cup or the like showing my new design; FIG. 2 is a side elevational view thereof; FIG. 3 is a top plan view thereof; FIG. 4 is a bottom plan view thereof; and FIG. 5 is a cross-sectional view taken along line 5—5 of FIG. 2.

[56] References Cited

U.S. PATENT DOCUMENTS

D. 166,028 2/1952 Despres ..... D7/23  
D. 238,237 12/1975 Herlow et al. .... D7/76 X



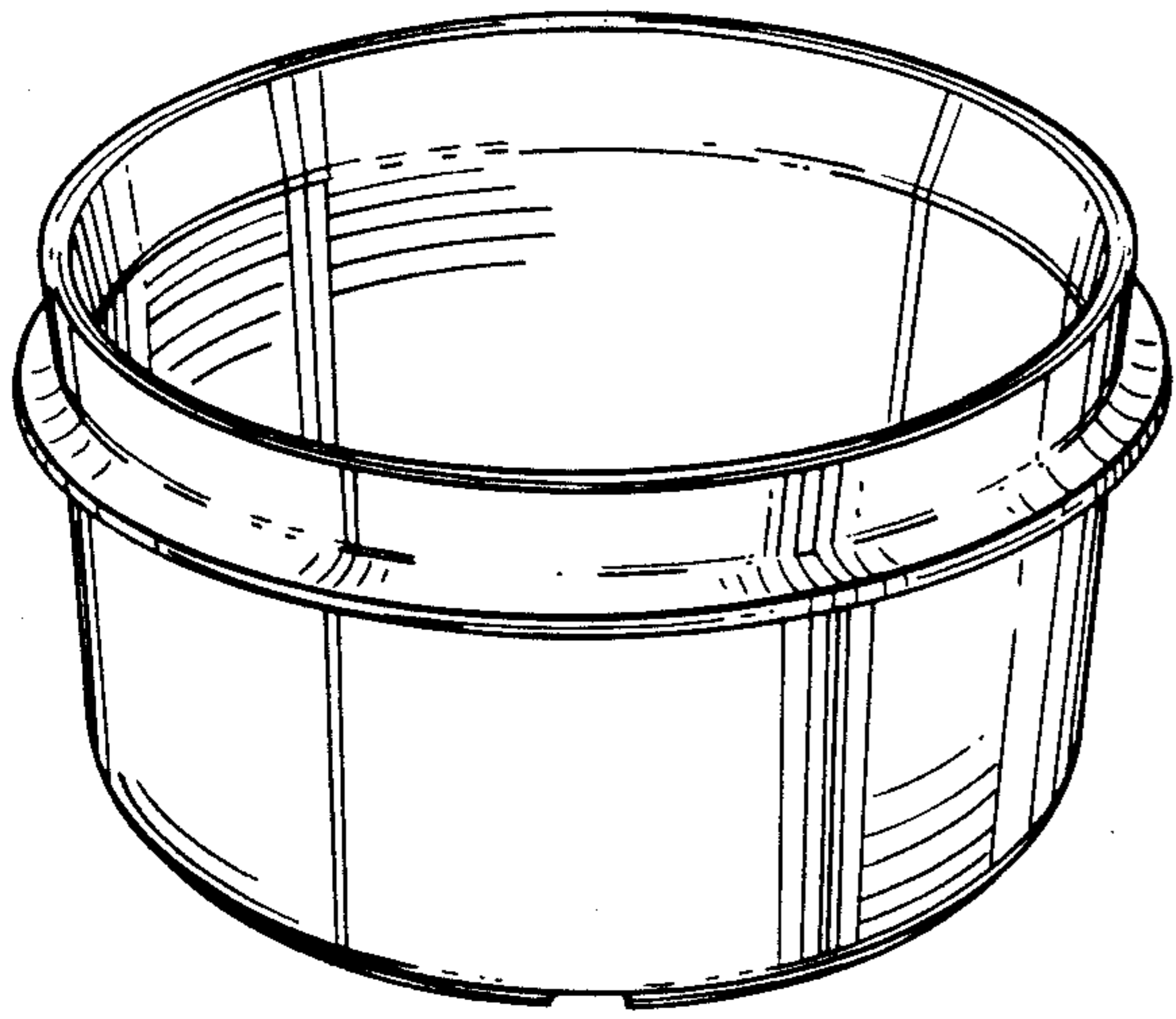


FIG. 1

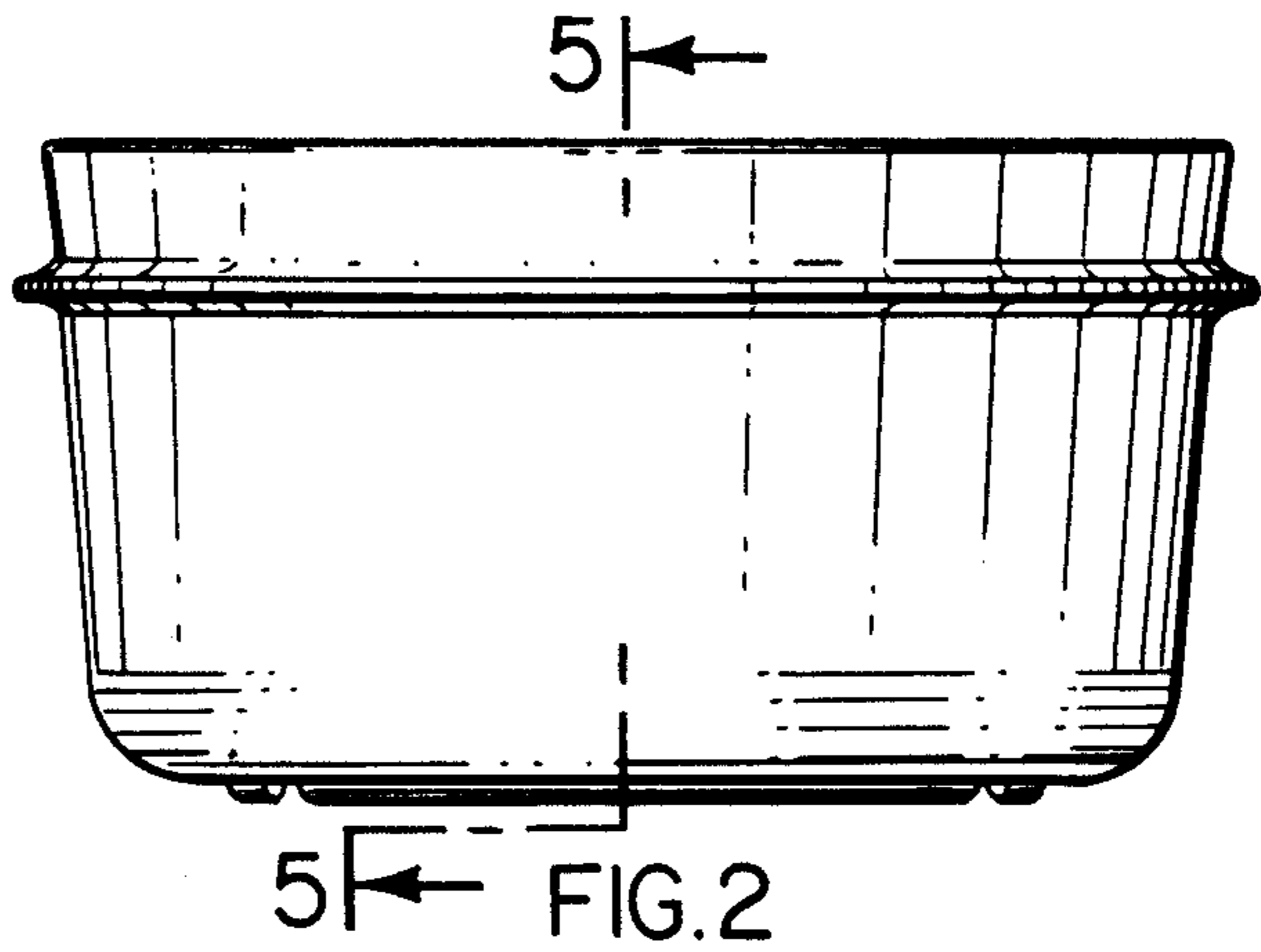


FIG. 2

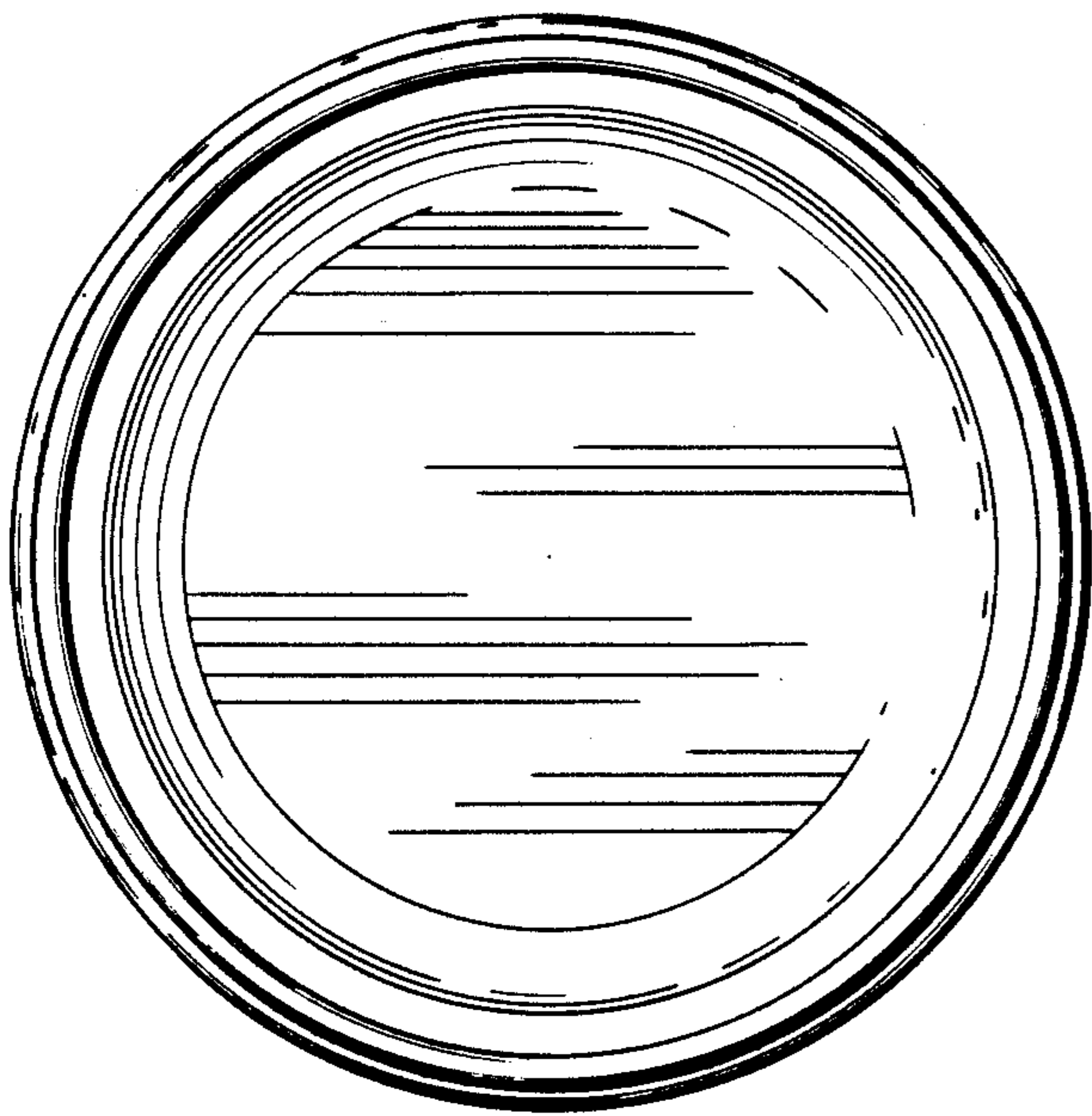


FIG. 3

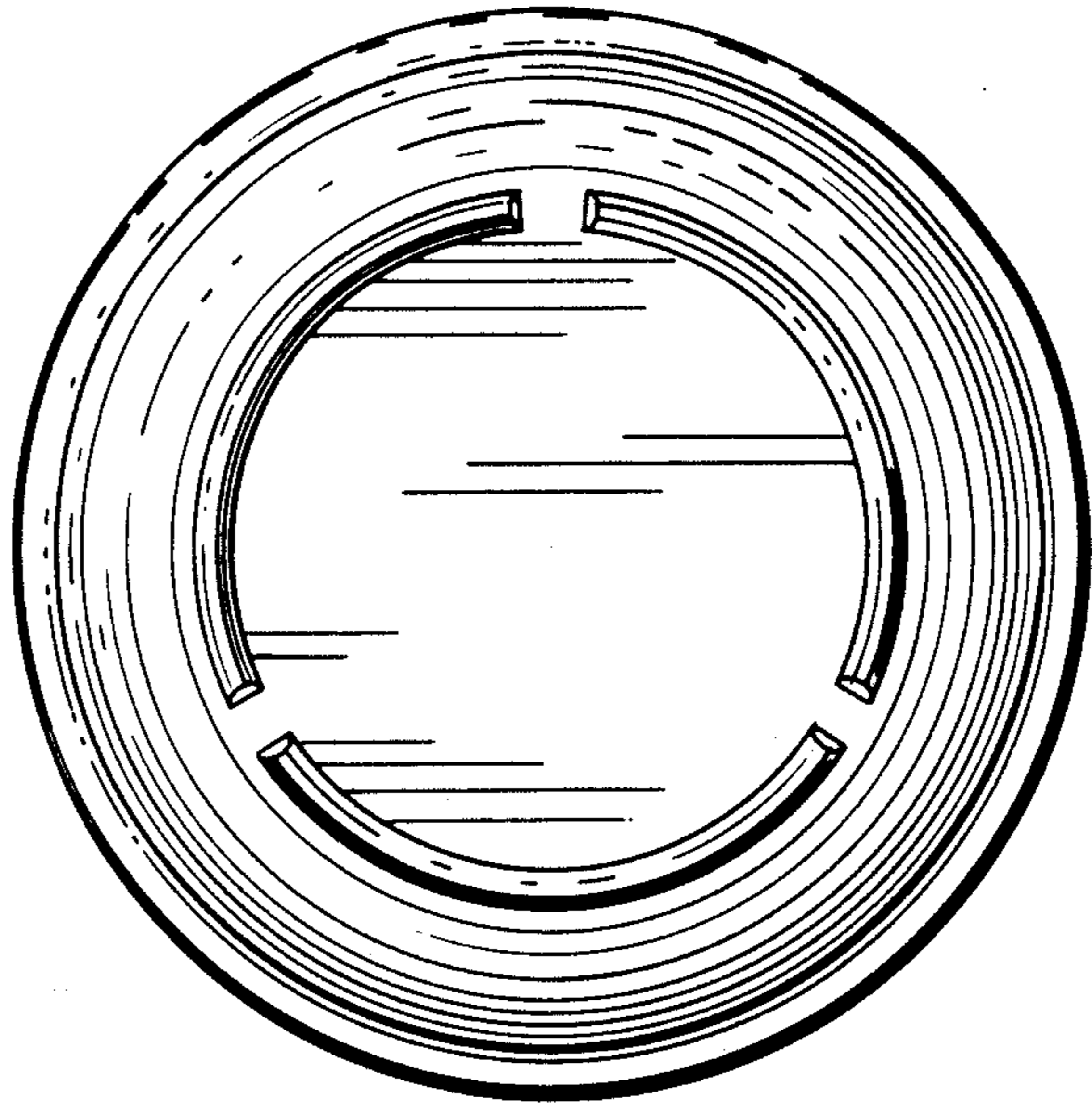


FIG. 4

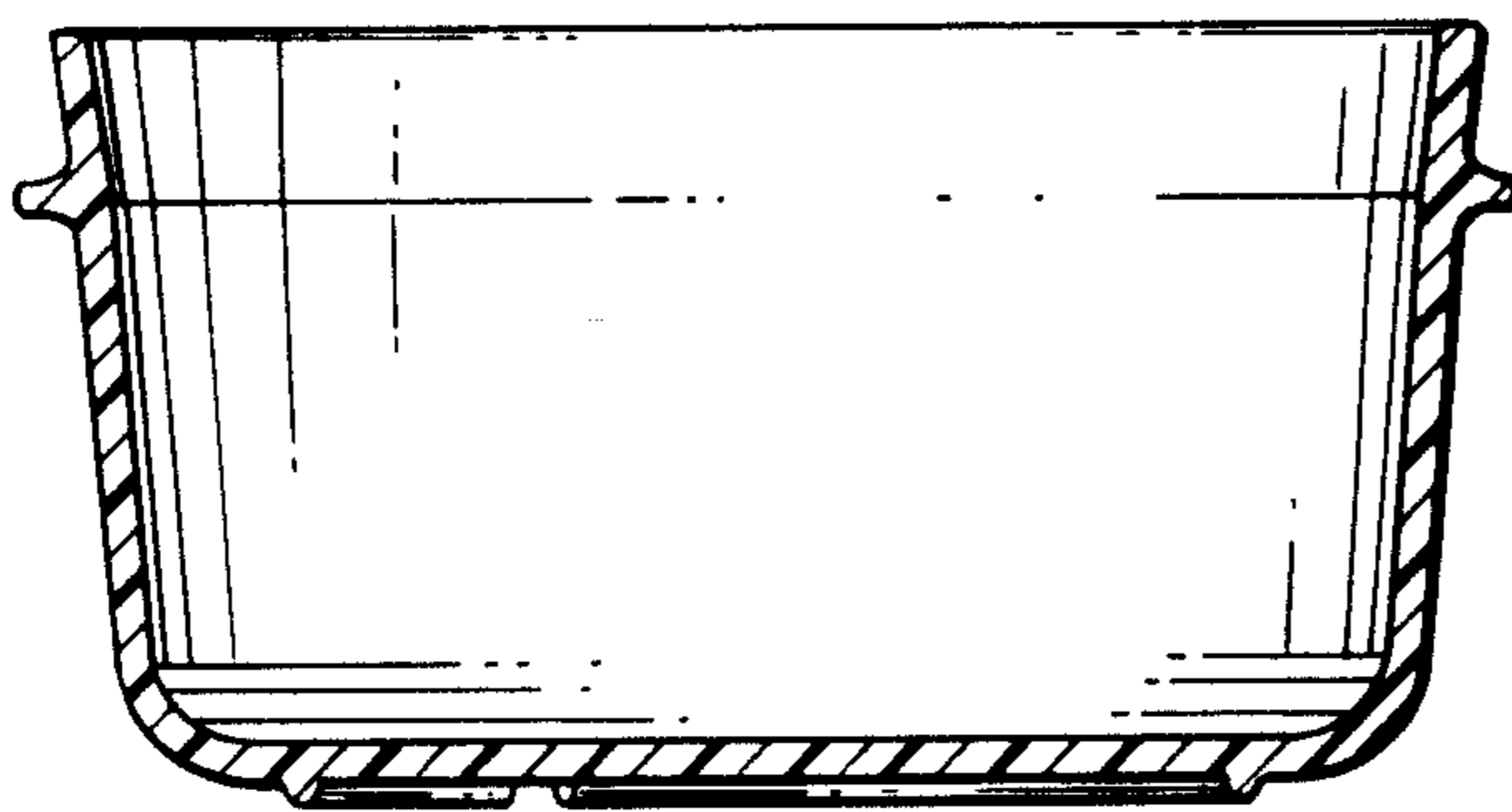


FIG. 5