

[54] CHAIR

[76] Inventor: Junzo Yoshimura, 8-6 Mejiro  
3-chome, Toshima-ku, Tokyo, Japan

[\*\*] Term: 14 Years

[21] Appl. No.: 941,268

[22] Filed: Sep. 11, 1978

[51] Int. Cl. .... D6-01

[52] U.S. Cl. .... D6/73; D6/41

[58] Field of Search ..... D6/65, 66, 69, 73, 67,  
D6/41; 297/16, 18, 31, 35, 46, 47

[56] References Cited

U.S. PATENT DOCUMENTS

D. 241,792	10/1976	Wehner .....	D6/41
D. 252,428	7/1979	Brelsford .....	D6/73 X
306,989	10/1884	Yandell .....	297/35
780,311	1/1905	Steinbach .....	297/35

2,021,808 11/1935 Platter ..... 297/46

Primary Examiner—Bruce W. Dunkins  
Attorney, Agent, or Firm—Burton L. Lilling

[57] CLAIM

The ornamental design for a chair, as shown.

DESCRIPTION

FIG. 1 is a front elevational view of a chair embodying my new design;  
 FIG. 2 is a right side elevational view thereof, the left side being a mirror image thereof;  
 FIG. 3 is a top plan view thereof;  
 FIG. 4 is a back elevational view thereof;  
 FIG. 5 is a perspective view thereof;  
 FIG. 6 is a bottom plan view thereof;  
 FIG. 7 is a side elevational view thereof showing the chair in its folded position;  
 FIG. 8 is a front elevational view of the chair shown in its folded position.

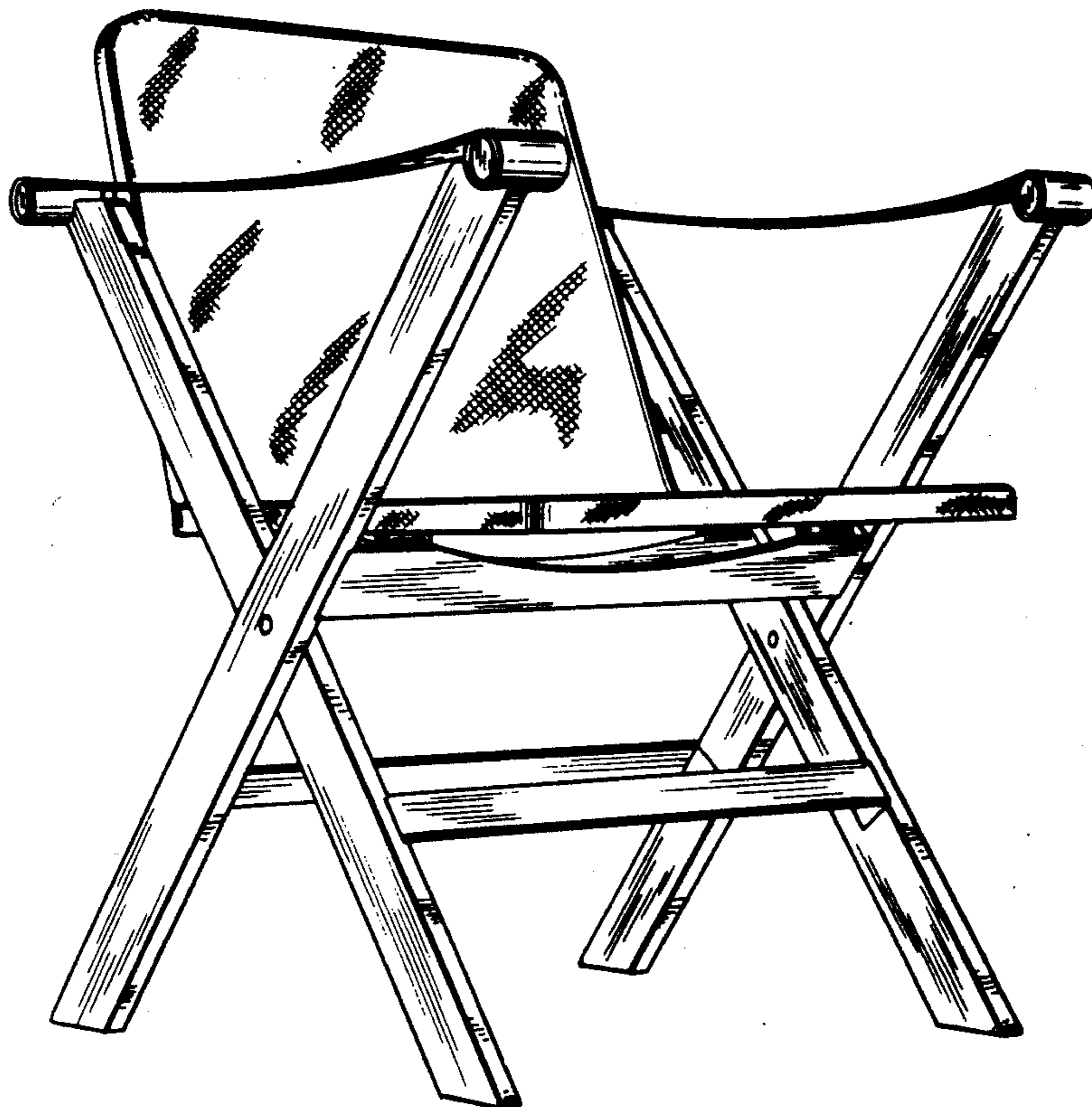


FIG. 2

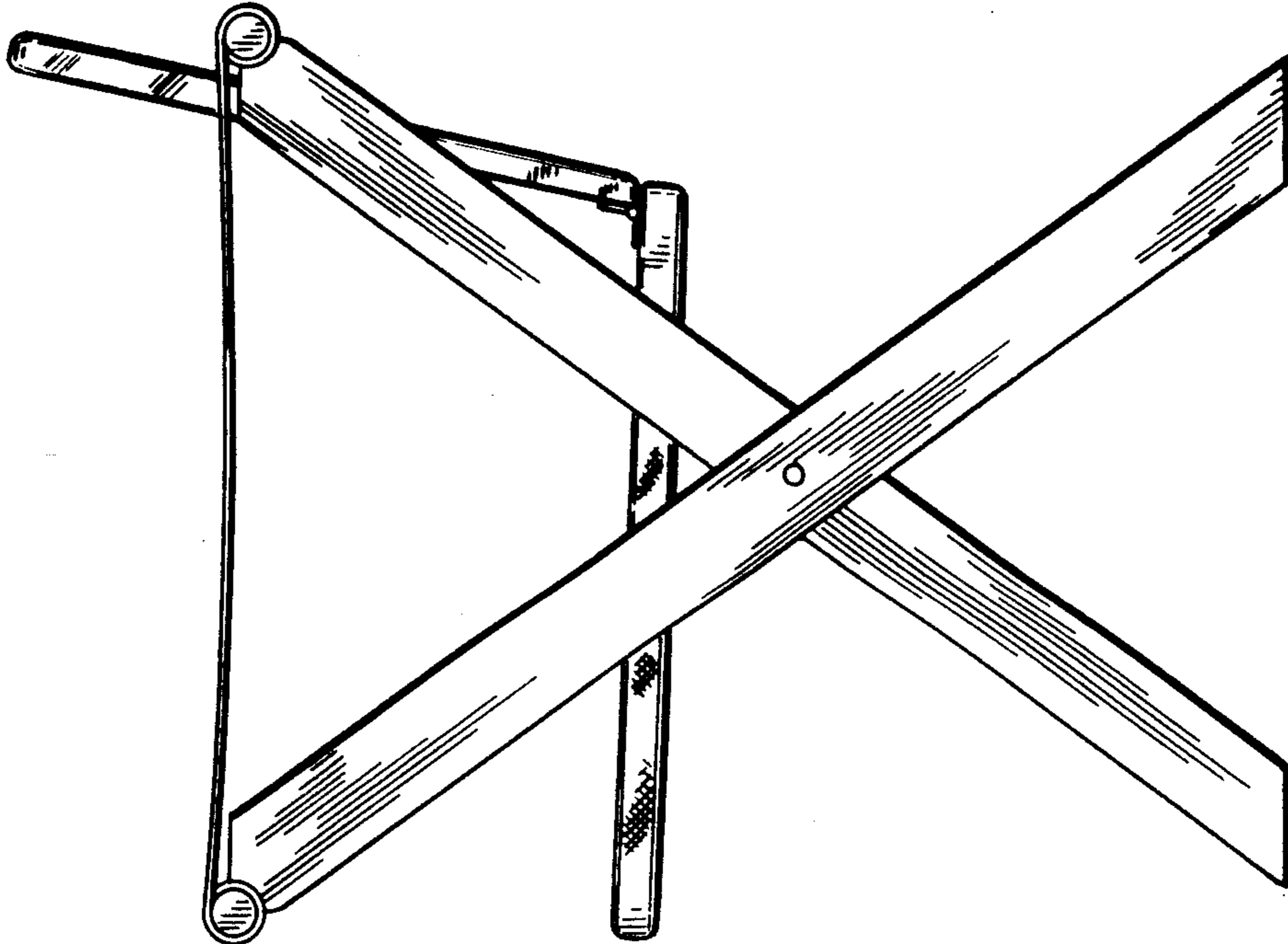


FIG. 1

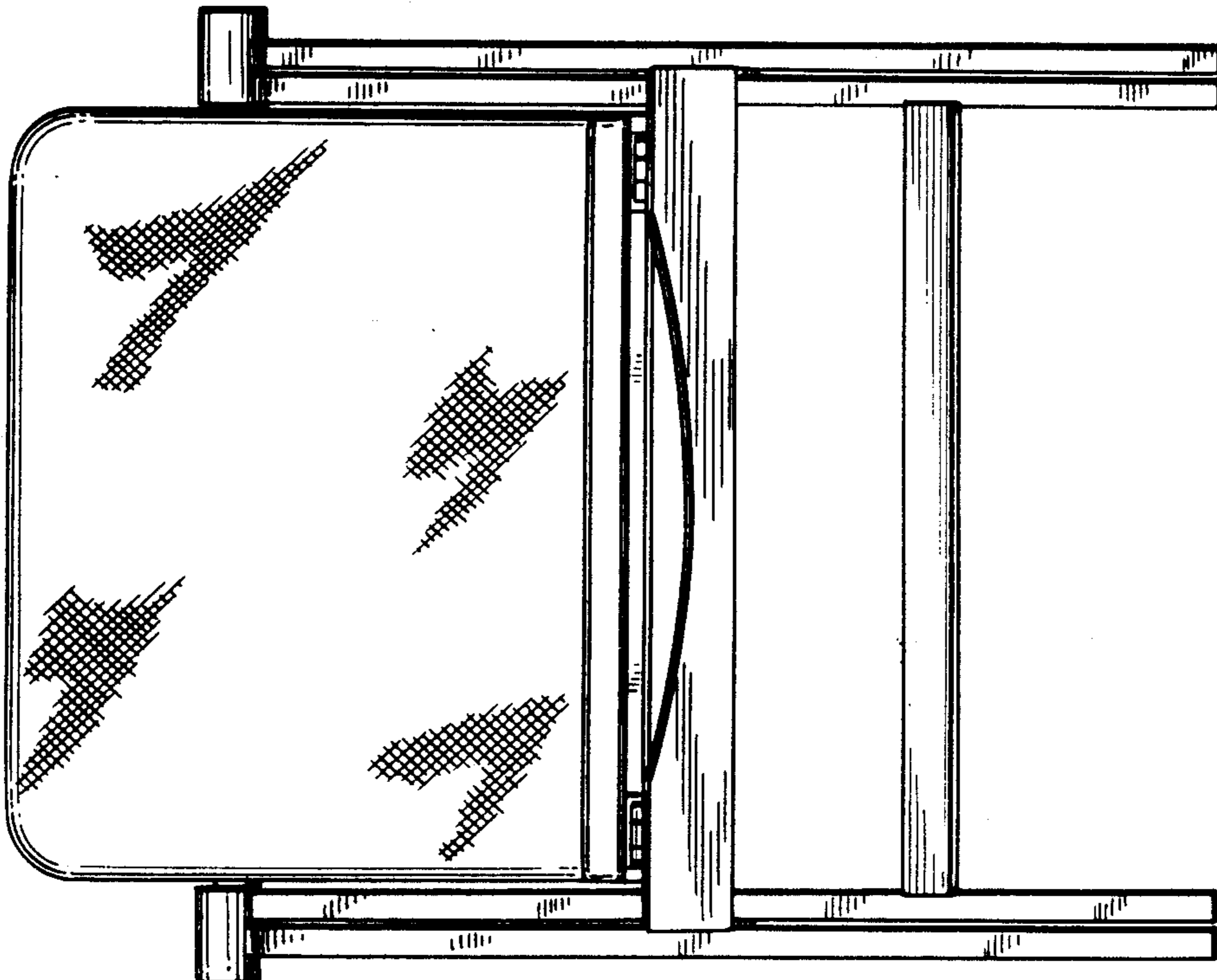


FIG. 4

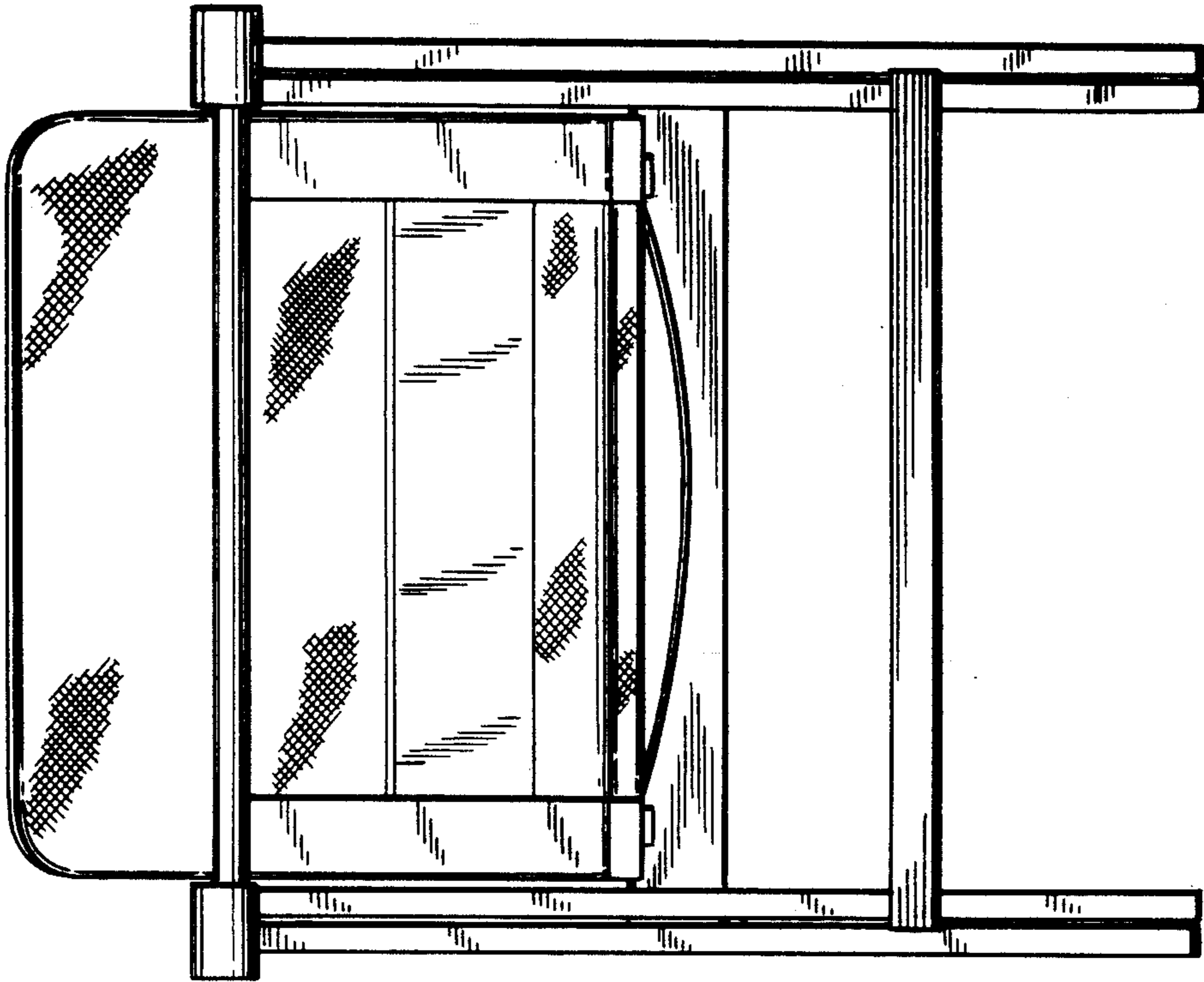


FIG. 3

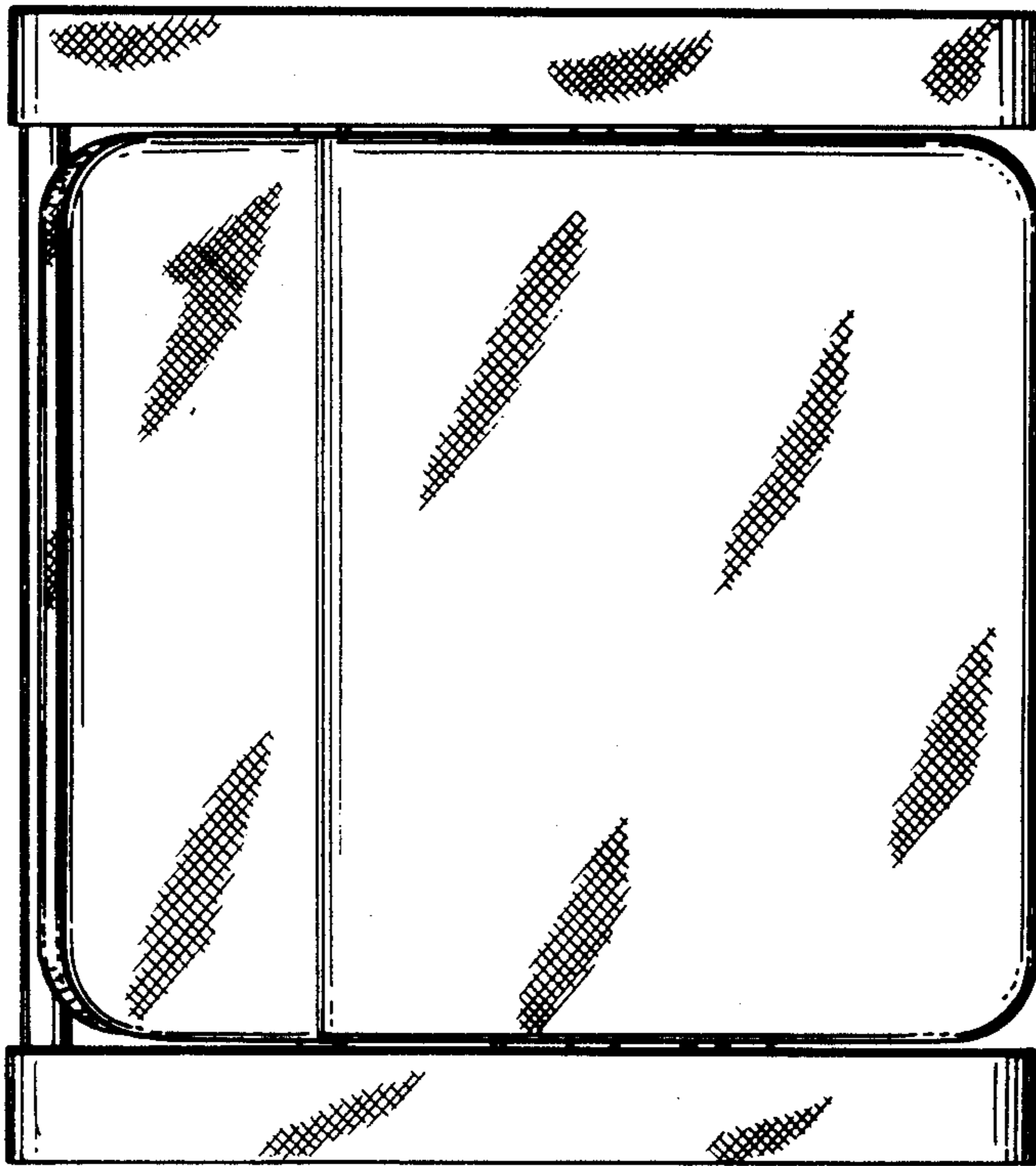
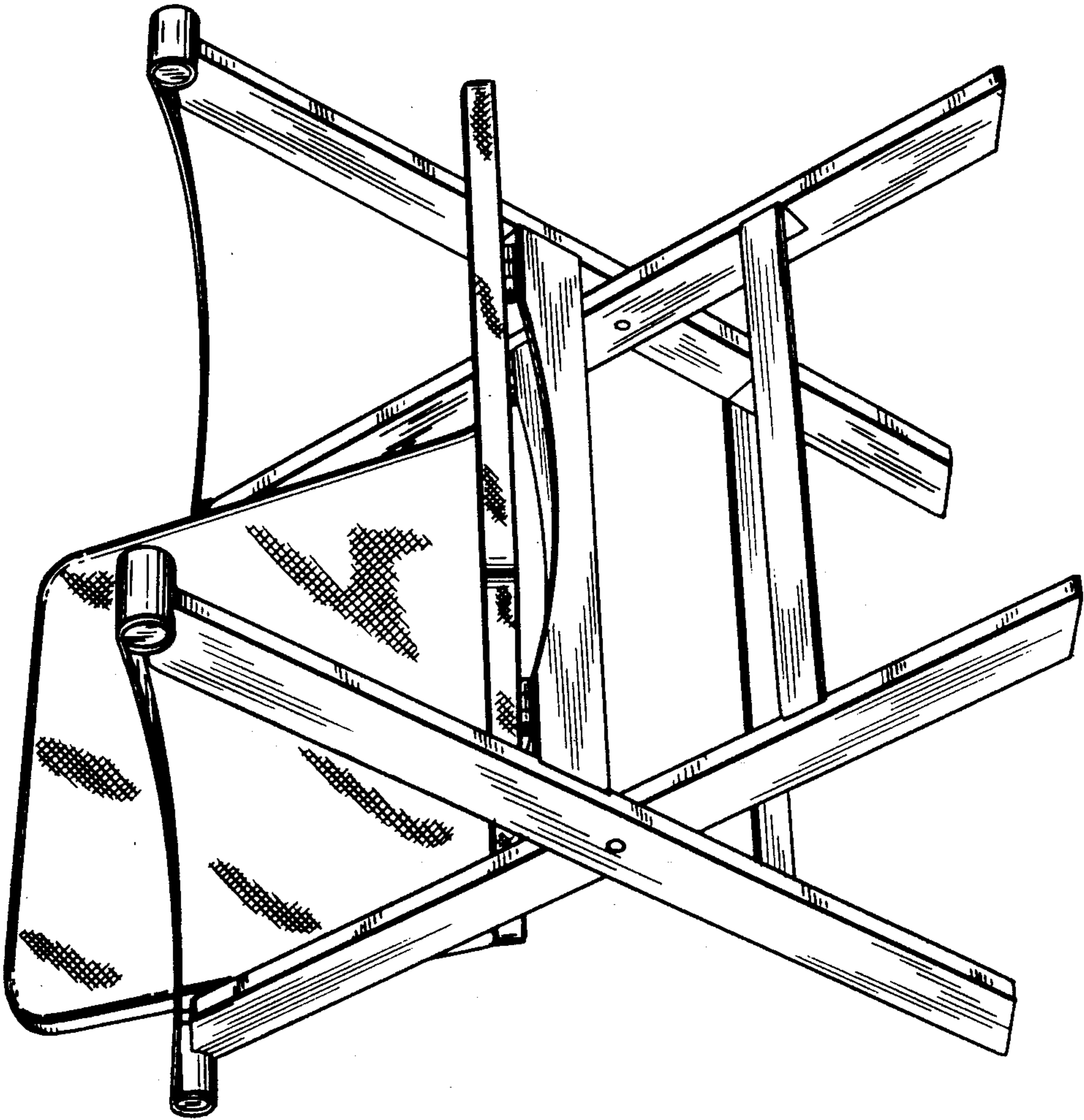


FIG. 5



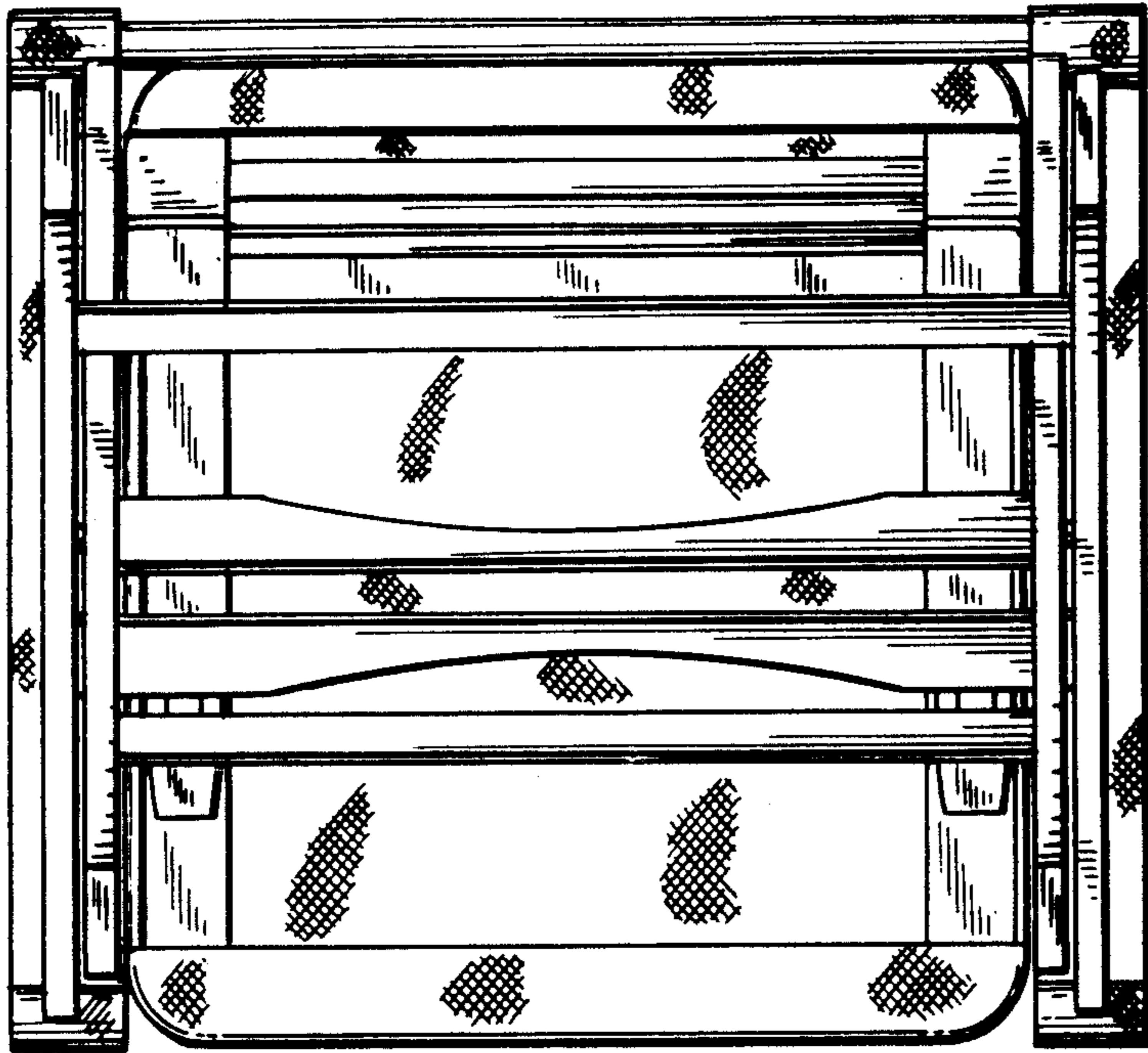


FIG. 6

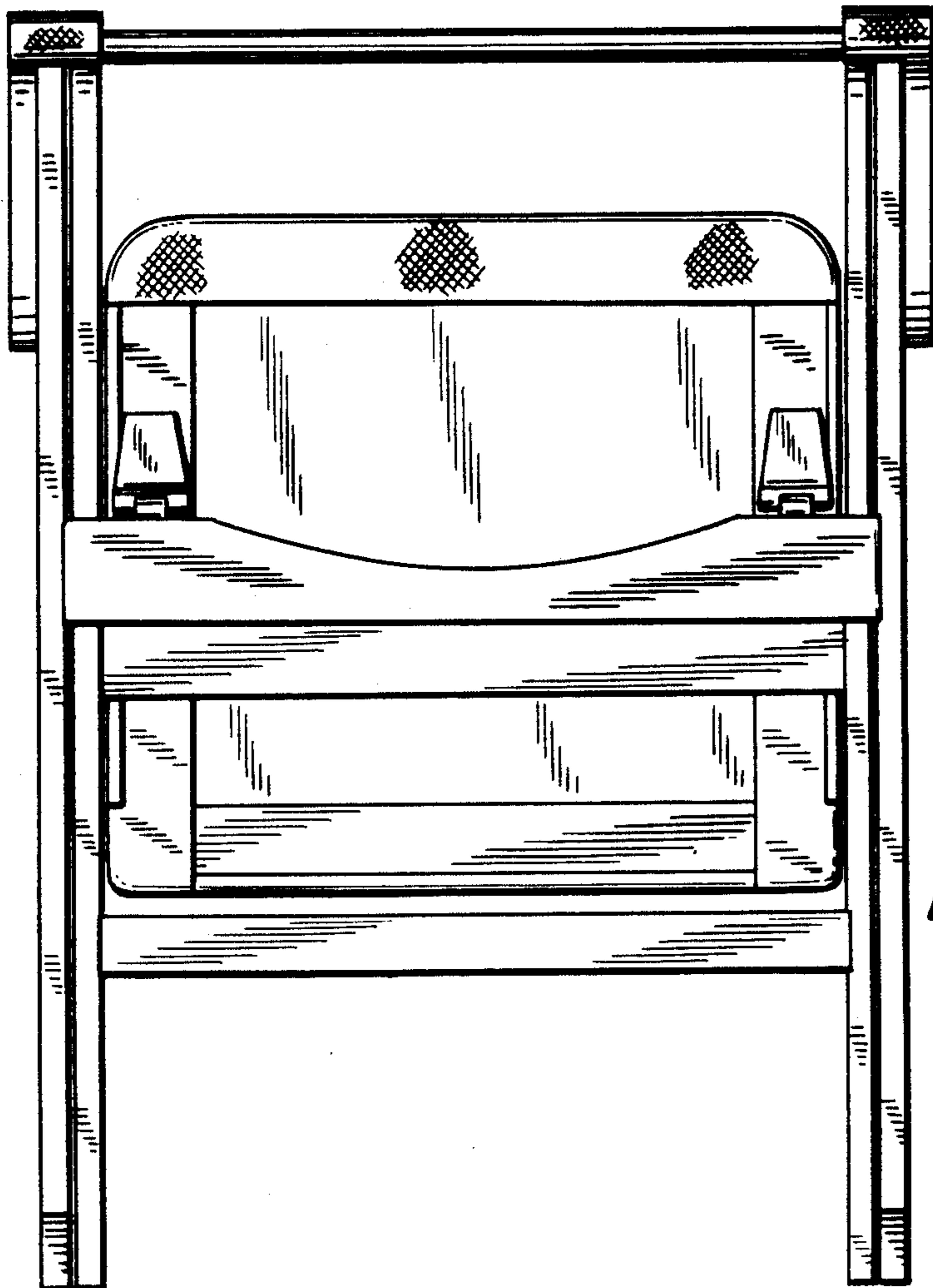


FIG. 8

FIG. 7

