

[54] VEHICLE SEAT

[75] Inventor: Willis MacCready, Jackson, Mich.

[73] Assignee: Michigan Seat Company, Jackson, Mich.

[**] Term: 14 Years

[21] Appl. No.: 951,677

[22] Filed: Oct. 16, 1978

[51] Int. Cl. D6-01

[52] U.S. Cl. D6/48

[58] Field of Search D6/7, 20, 26, 30-36, D6/47-78, 197; 156/267; 297/452, 453, 180

[56] References Cited

U.S. PATENT DOCUMENTS

D. 192,421 3/1962 Bostrom D6/48

D. 237,330 10/1975 Skyer et al. D6/66 X
D. 244,645 6/1977 Talmon et al. D6/48
D. 248,810 8/1978 Day D6/197
D. 249,102 8/1978 Pelly D6/66

Primary Examiner—Bruce W. Dunkins

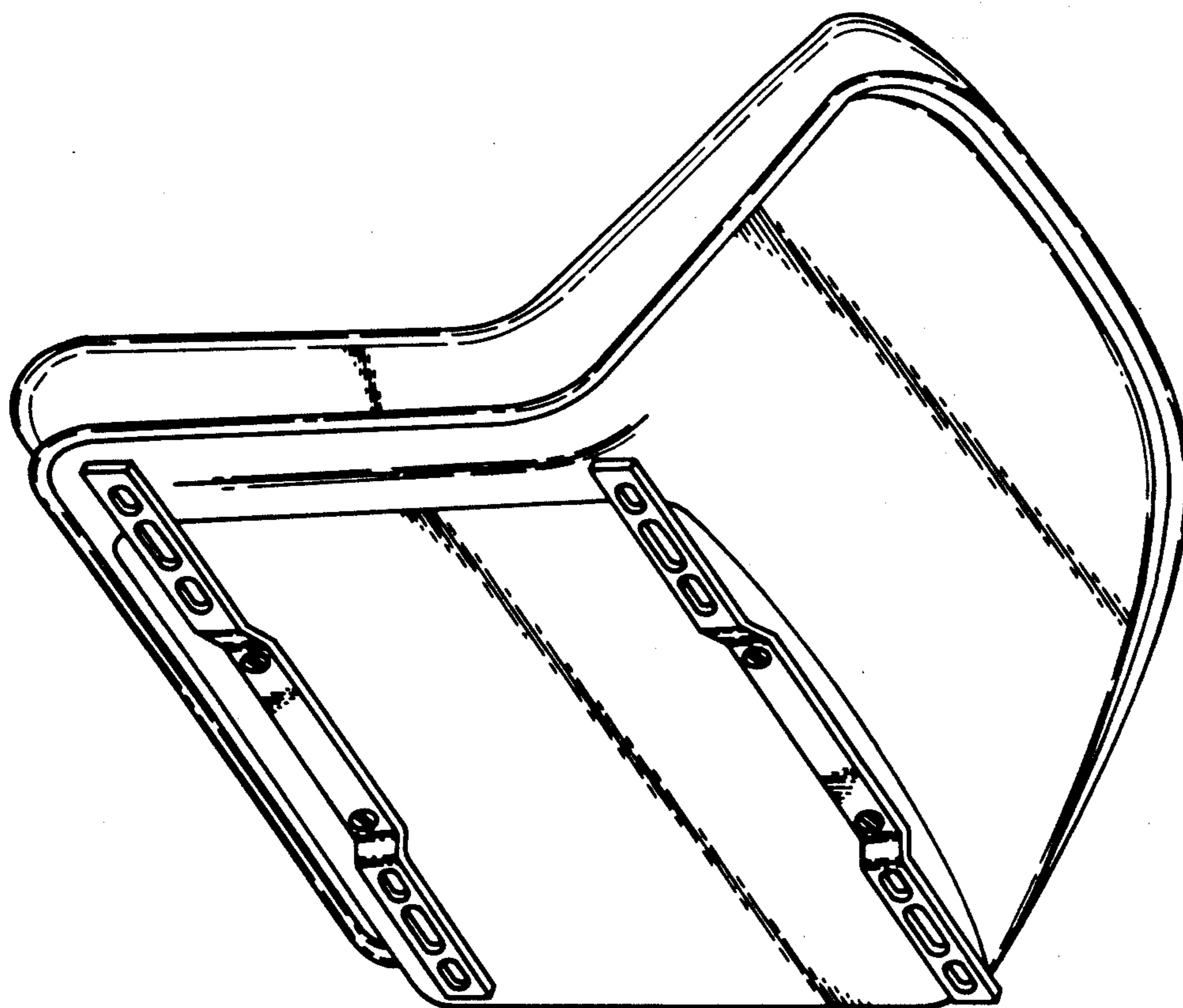
Attorney, Agent, or Firm—Townsend F. Beaman

[57] CLAIM

The ornamental design for a vehicle seat, substantially as shown and described.

DESCRIPTION

FIG. 1 is a perspective view of my new vehicle seat design as taken from the bottom left side thereof, FIG. 2 is a front elevational view of my new design, FIG. 3 is a rear elevational view, and FIG. 4 is a left side elevational view of my new vehicle seat design, the right side being the mirror image thereof.



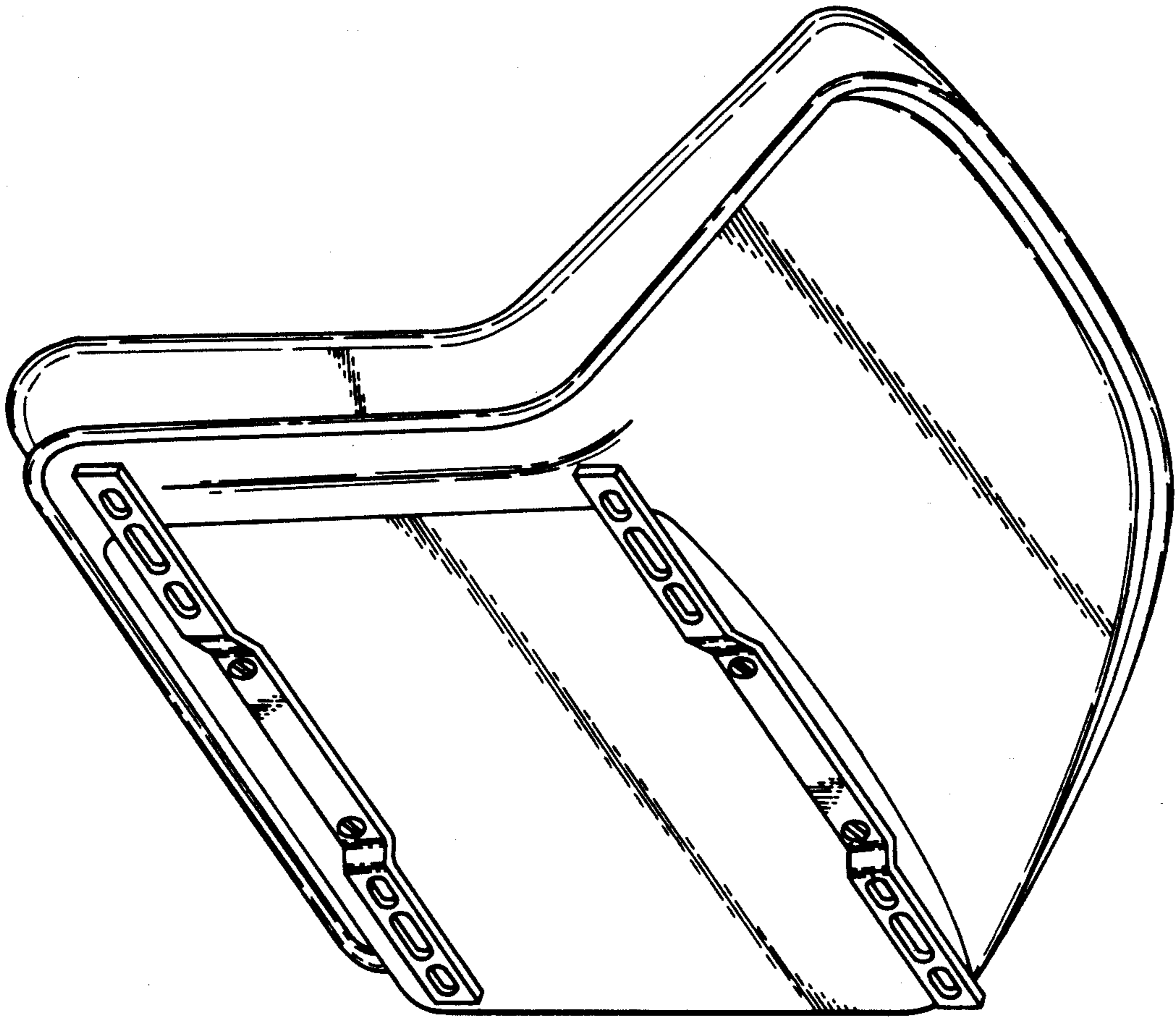


FIG. 1.

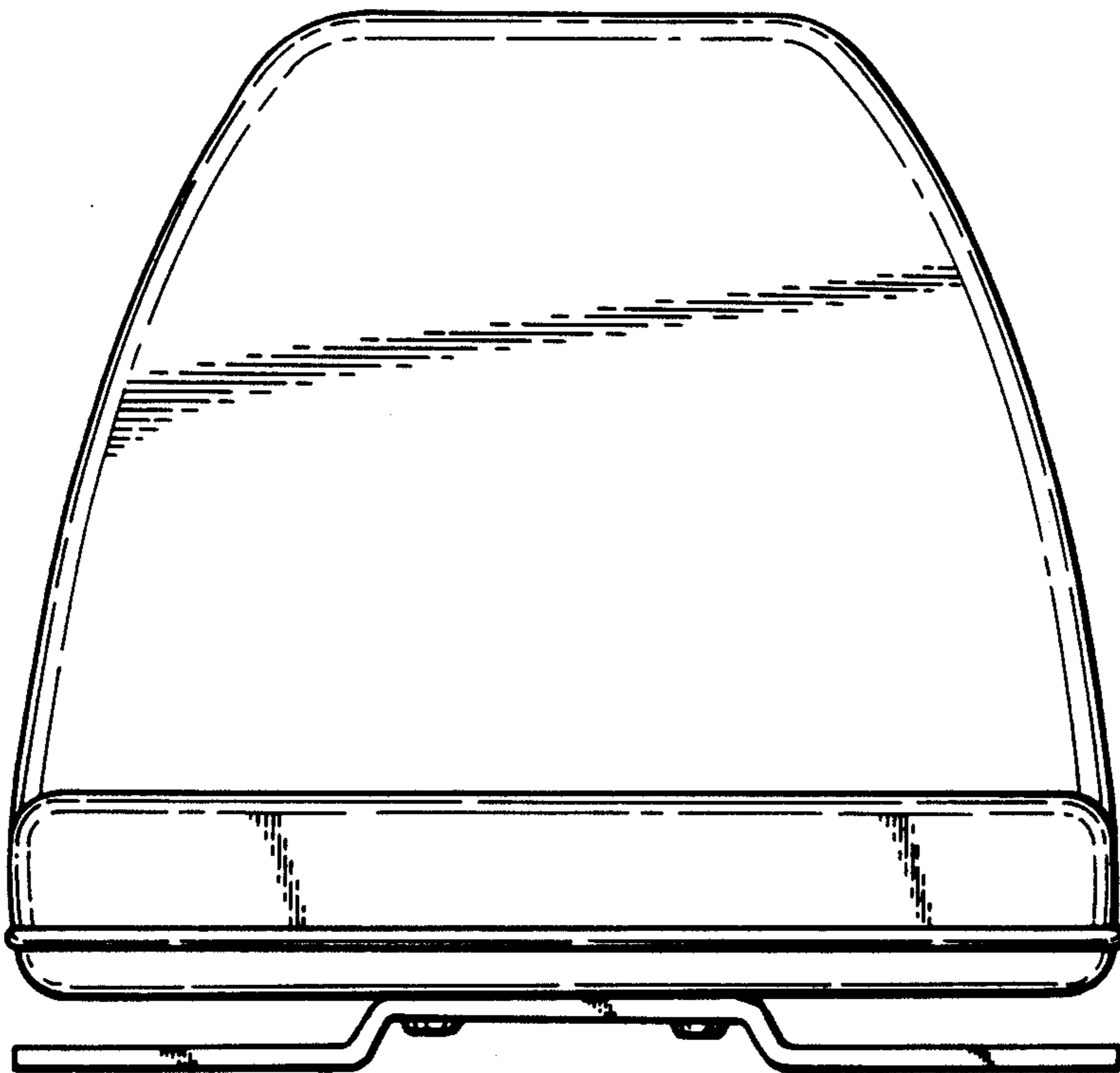


FIG. 2.

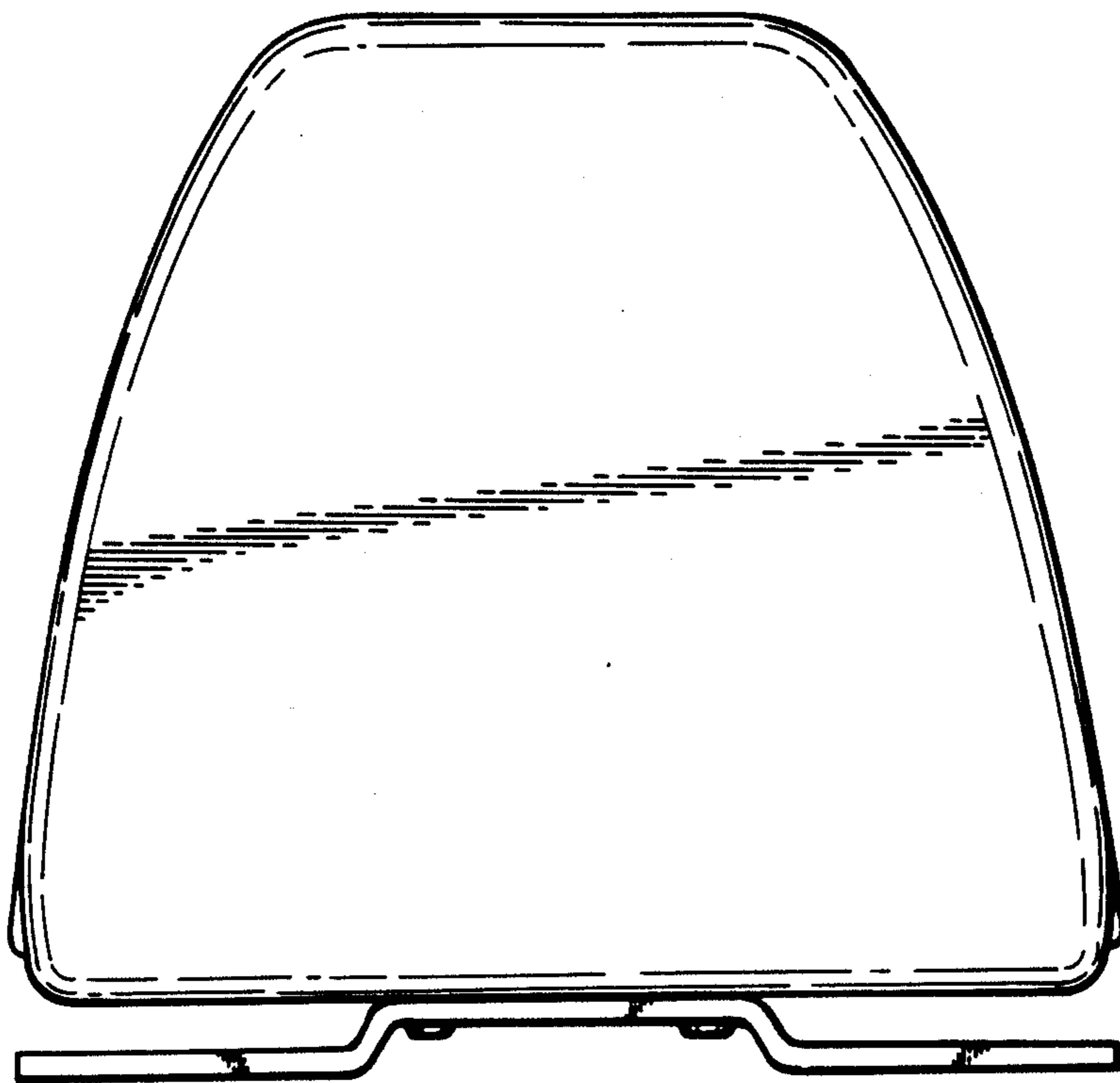


FIG. 3.

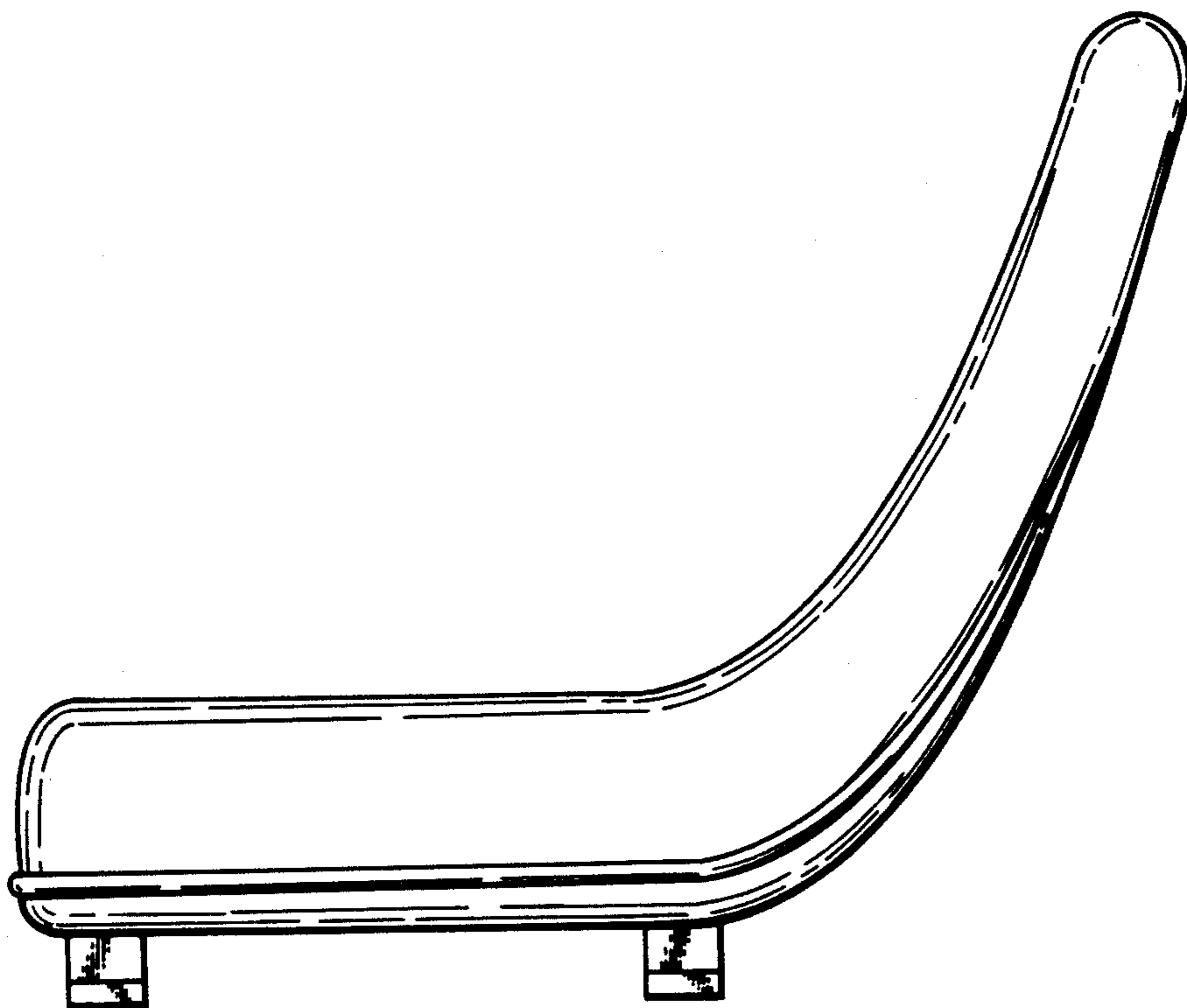


FIG. 4.