

[54] BENCH FOR USE IN MEDITATION

[76] Inventor: David R. Hay, 31755 Coast Hwy., Apt. 208, S. Laguna Beach, Calif. 92677

[**] Term: 14 Years

[21] Appl. No.: 906,135

[22] Filed: May 15, 1978

[51] Int. Cl. D6-01

[52] U.S. Cl. D6/2; D6/32; D6/47; D6/58

[58] Field of Search D6/2, 5, 7, 32, 35, D6/36, 47, 58, 64

[56] References Cited

U.S. PATENT DOCUMENTS

- D. 134,161 10/1942 Ment D6/2
- D. 151,213 10/1948 Bruner D6/35

- D. 202,984 11/1965 House D6/35
- D. 220,482 4/1971 Landberg D6/2
- 2,101,259 12/1937 Landau D6/2

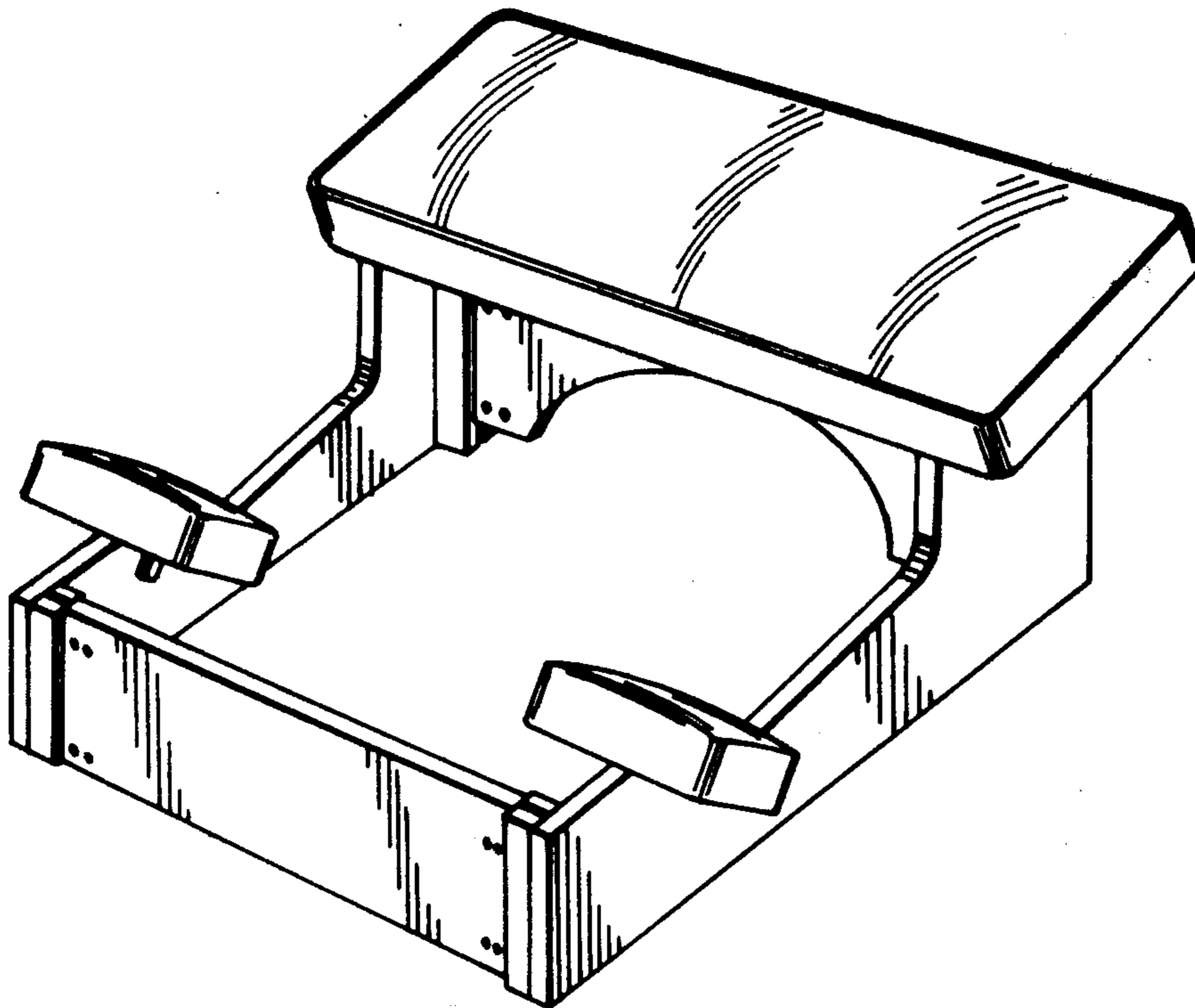
Primary Examiner—Bruce W. Dunkins
Attorney, Agent, or Firm—Harvey C. Nienow

[57] CLAIM

The ornamental design for a bench for use in meditation, as shown.

DESCRIPTION

FIG. 1 is a perspective view of a bench for use in meditation showing my new design;
 FIG. 2 is a front elevational view thereof;
 FIG. 3 is a side elevational view of such bench, the opposite side being a mirror image thereof;
 FIG. 4 is a rear elevational view of the bench showing my new design;
 FIG. 5 is a top plan view thereof; and
 FIG. 6 is a bottom view of a bench for use in meditation showing my new design.



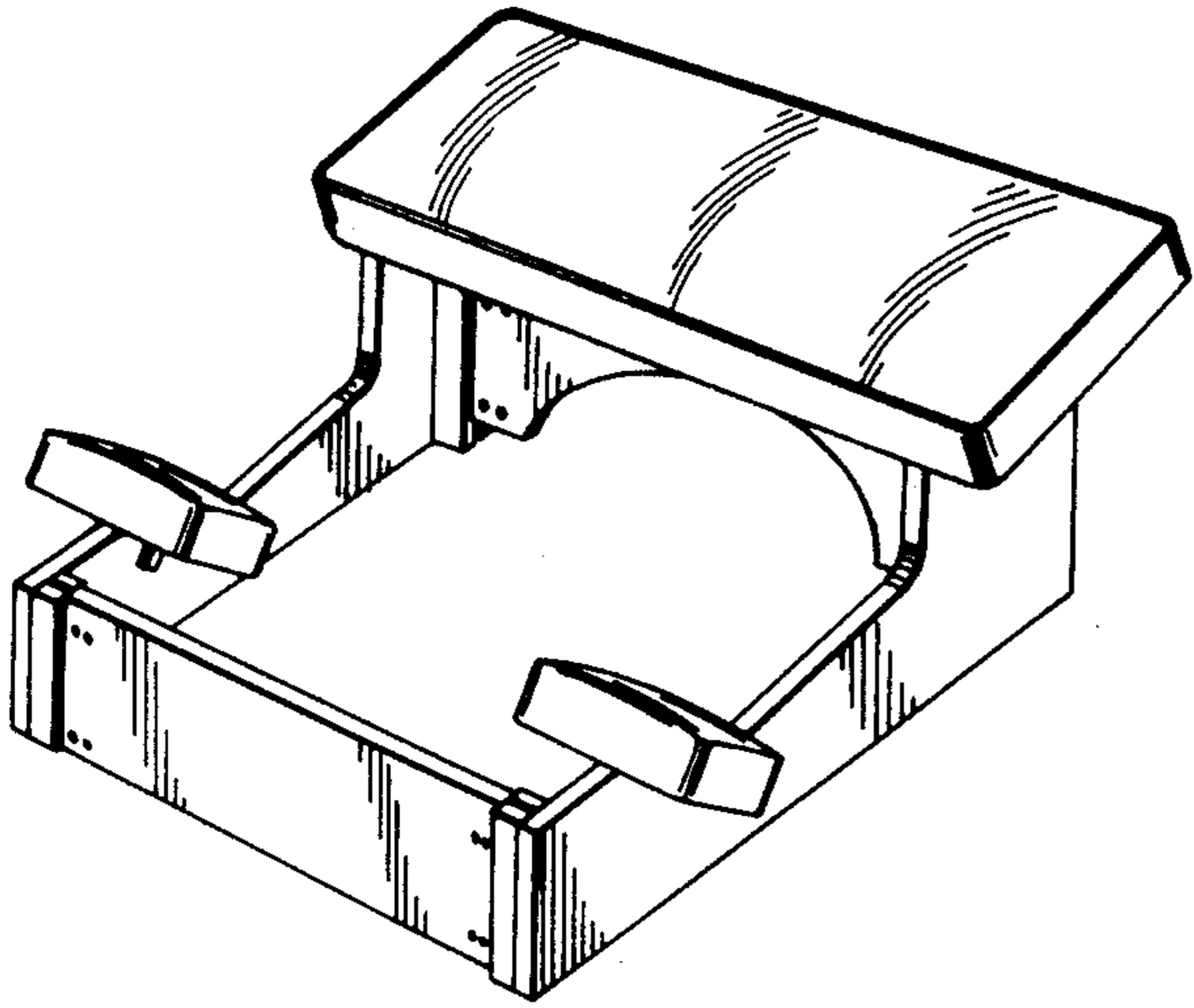


FIG. 1

FIG. 2

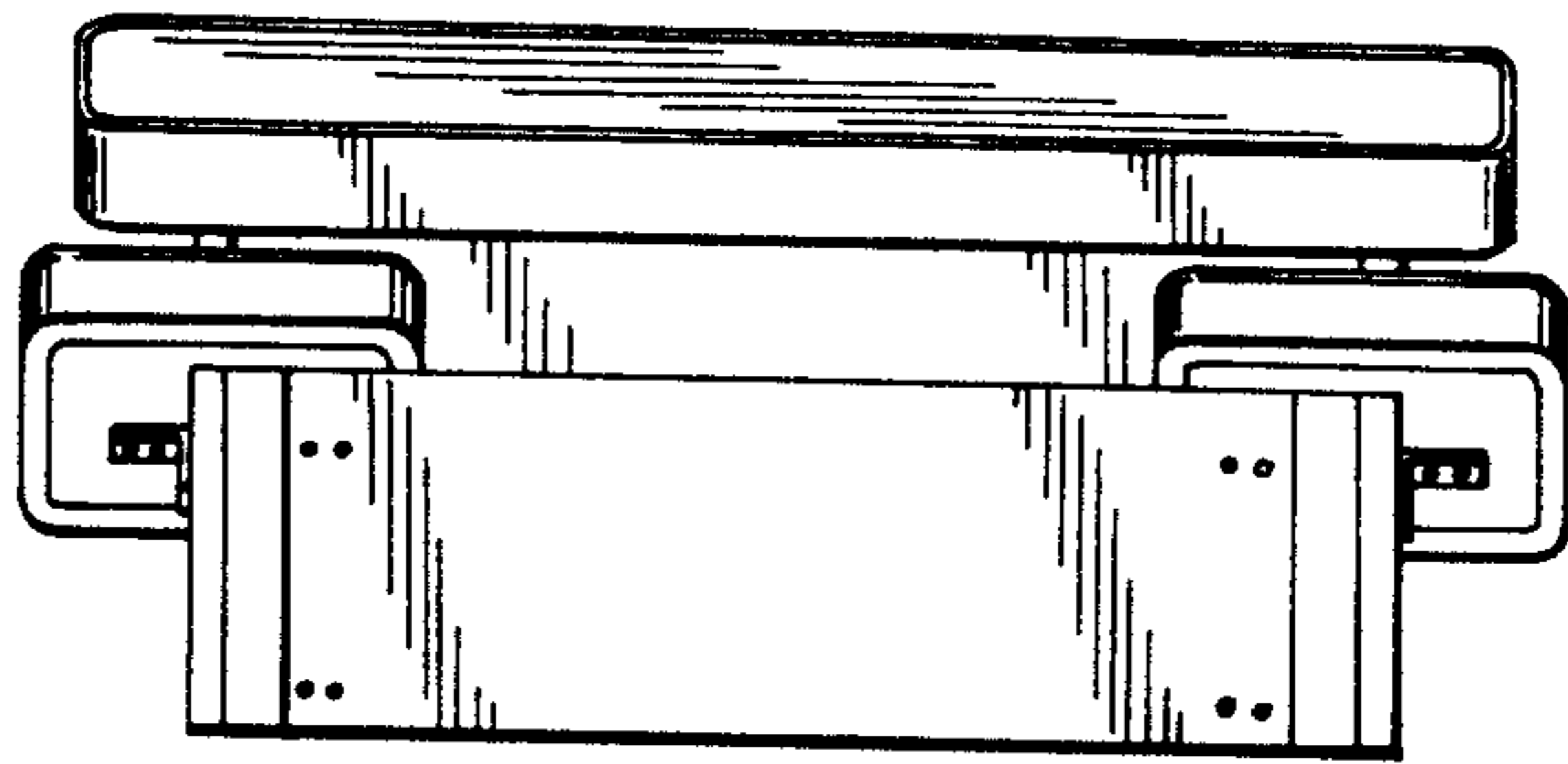


FIG. 3

FIG. 4

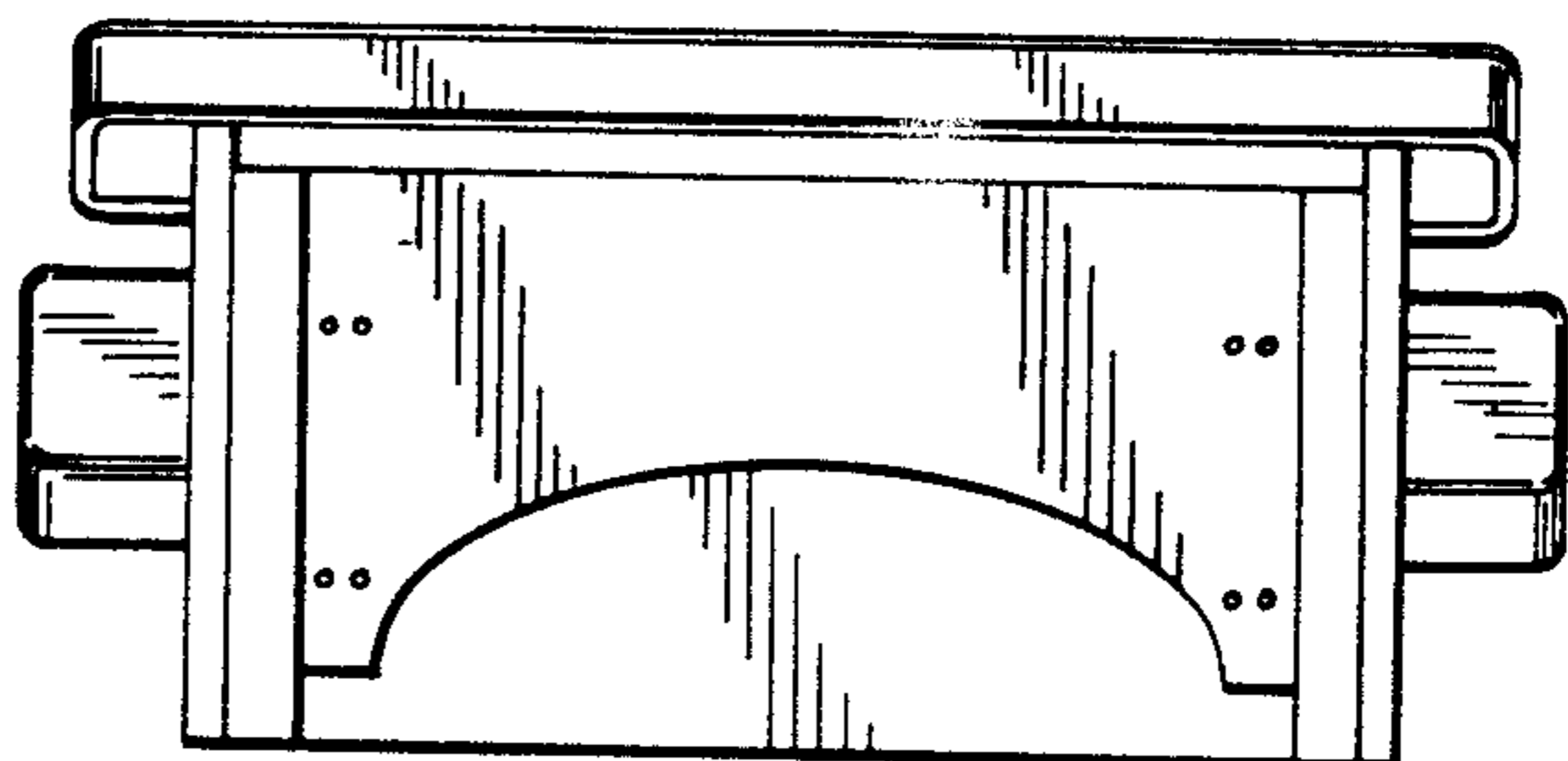
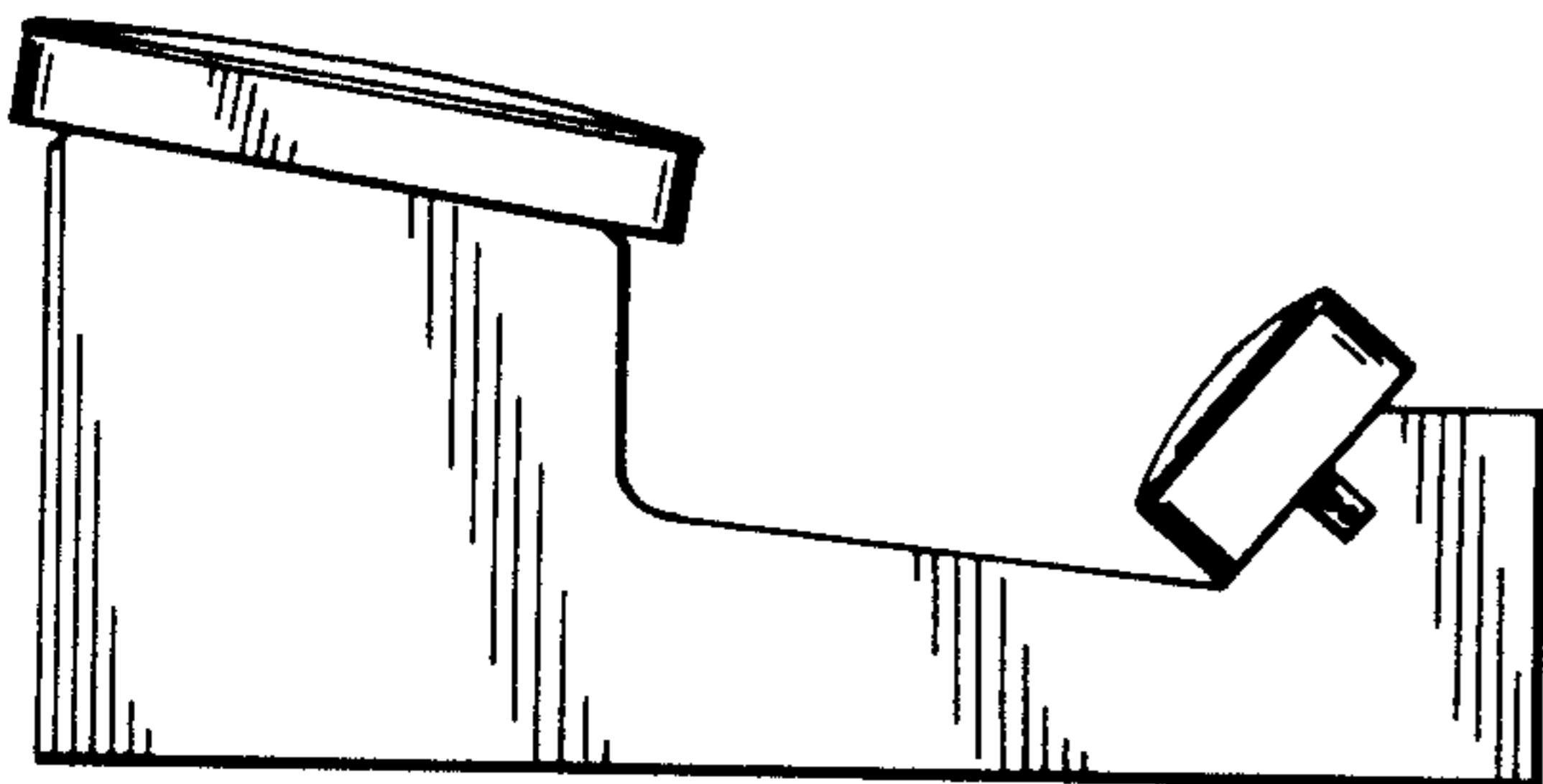


FIG. 5

FIG. 6

