

[54] WRIST BAND PEN HOLDER

[76] Inventor: Morris E. Cox, P.O. Box 8743, Jackson, Miss. 39204

[**] Term: 14 Years

[21] Appl. No.: 736,497

[22] Filed: Jul. 24, 1978

[51] Int. Cl. D02-99

[52] U.S. Cl. D2/402; D11/4

[58] Field of Search D2/402, 379; D11/2, D11/3, 4; 24/3 R, 3 A, 10 R; 224/164, 165, 166, 175, 267

[56] References Cited
U.S. PATENT DOCUMENTS

D. 113,859	3/1939	Cott	D11/2
1,427,891	9/1922	Ziegler	D11/3
2,176,052	10/1939	Beyer	24/3 A

FOREIGN PATENT DOCUMENTS

129558	3/1919	United Kingdom	24/10 R
271732	6/1927	United Kingdom	24/10 R

Primary Examiner—Joel Stearman
Assistant Examiner—Carmen H. Vales
Attorney, Agent, or Firm—George M. Sirilla

[57] CLAIM

The ornamental design for wrist band pen holder, as shown and described.

DESCRIPTION

FIG. 1 is a perspective view of a wrist band pen holder showing my new design with the wrist band portion thereof conventional and of the same external appearance throughout its length, and the opposite side of the holder from that shown being plain and unornamented; and

FIG. 2 is an enlarged scale exploded perspective view thereof.

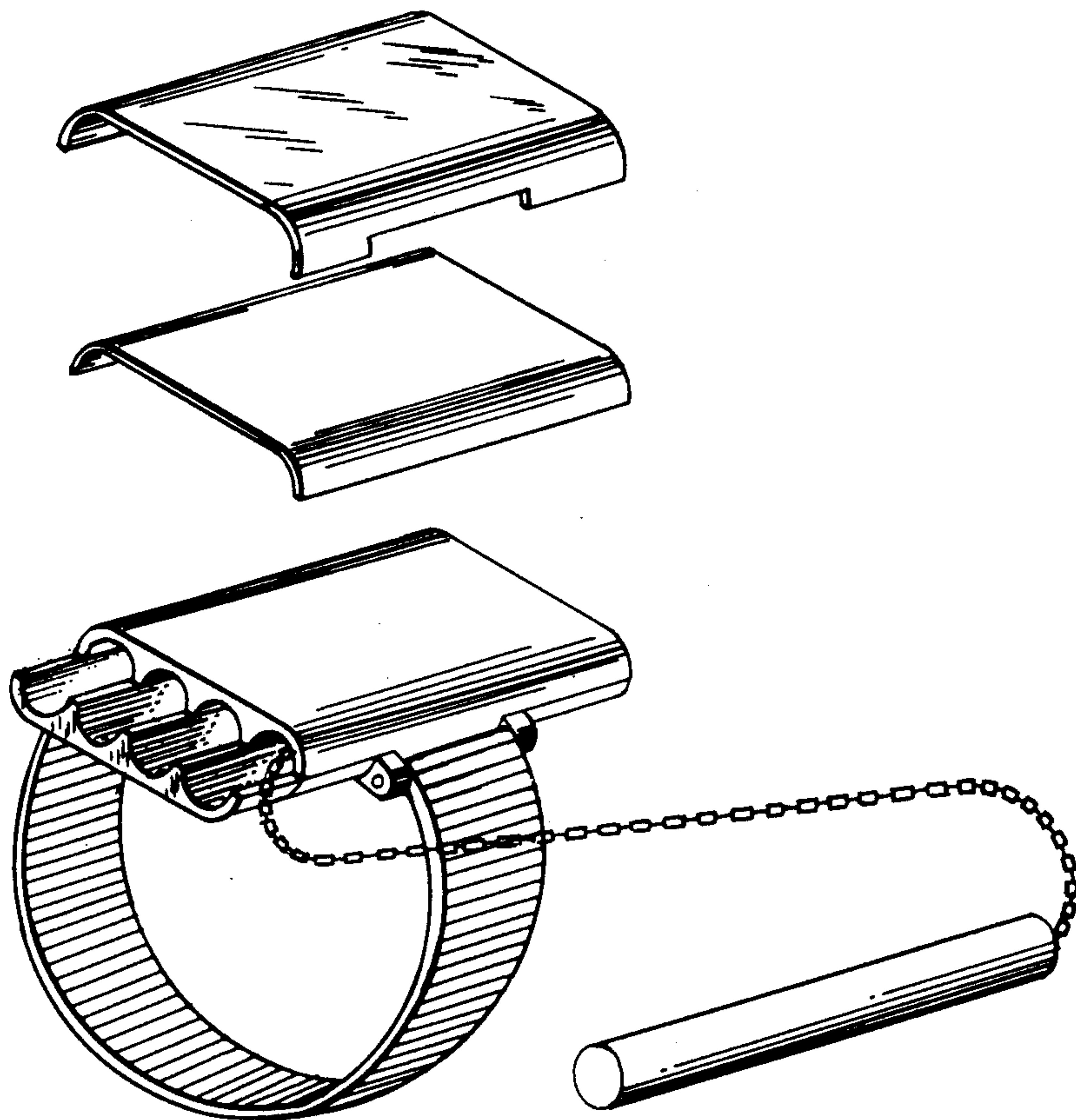


Fig. 1.

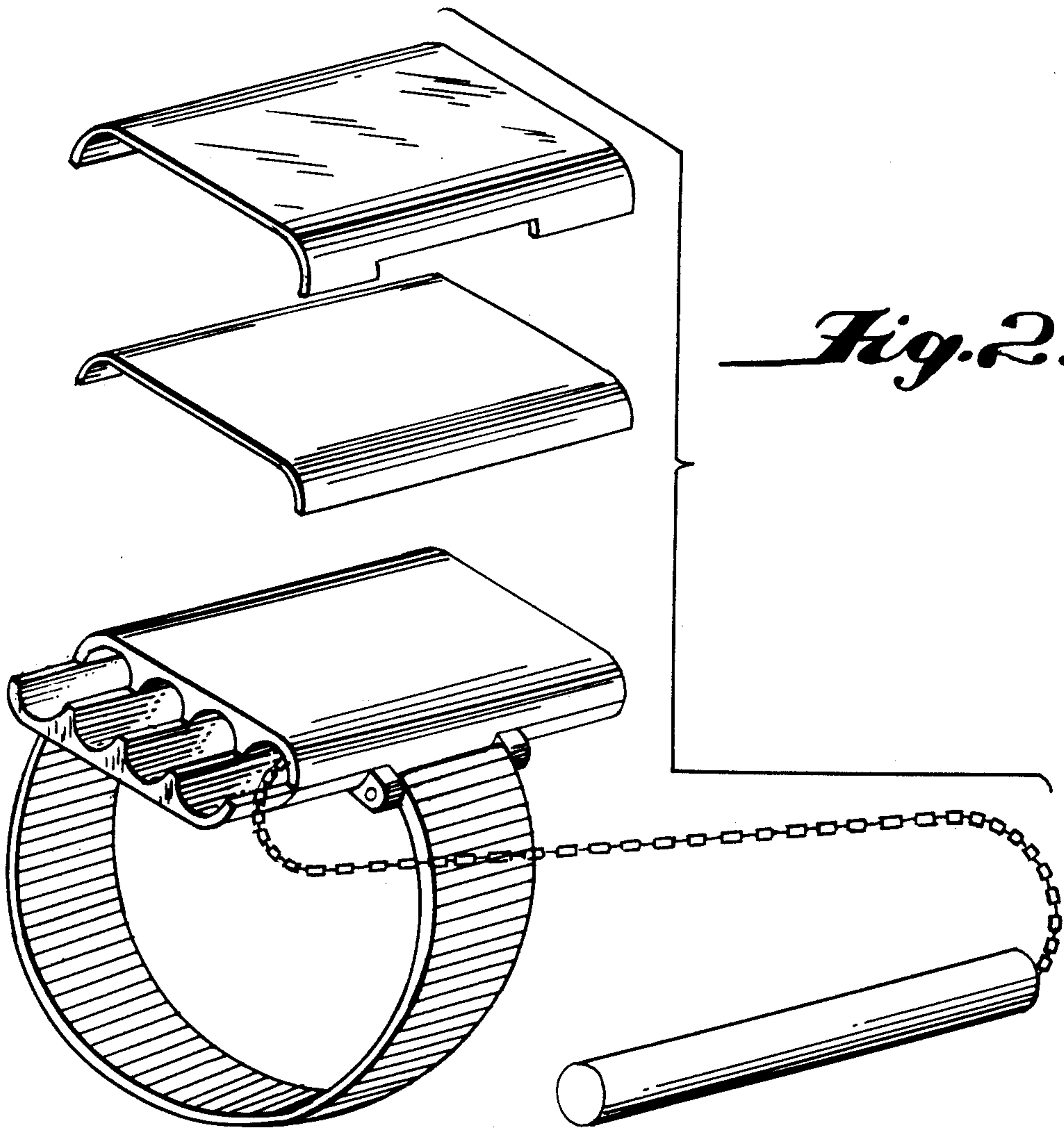
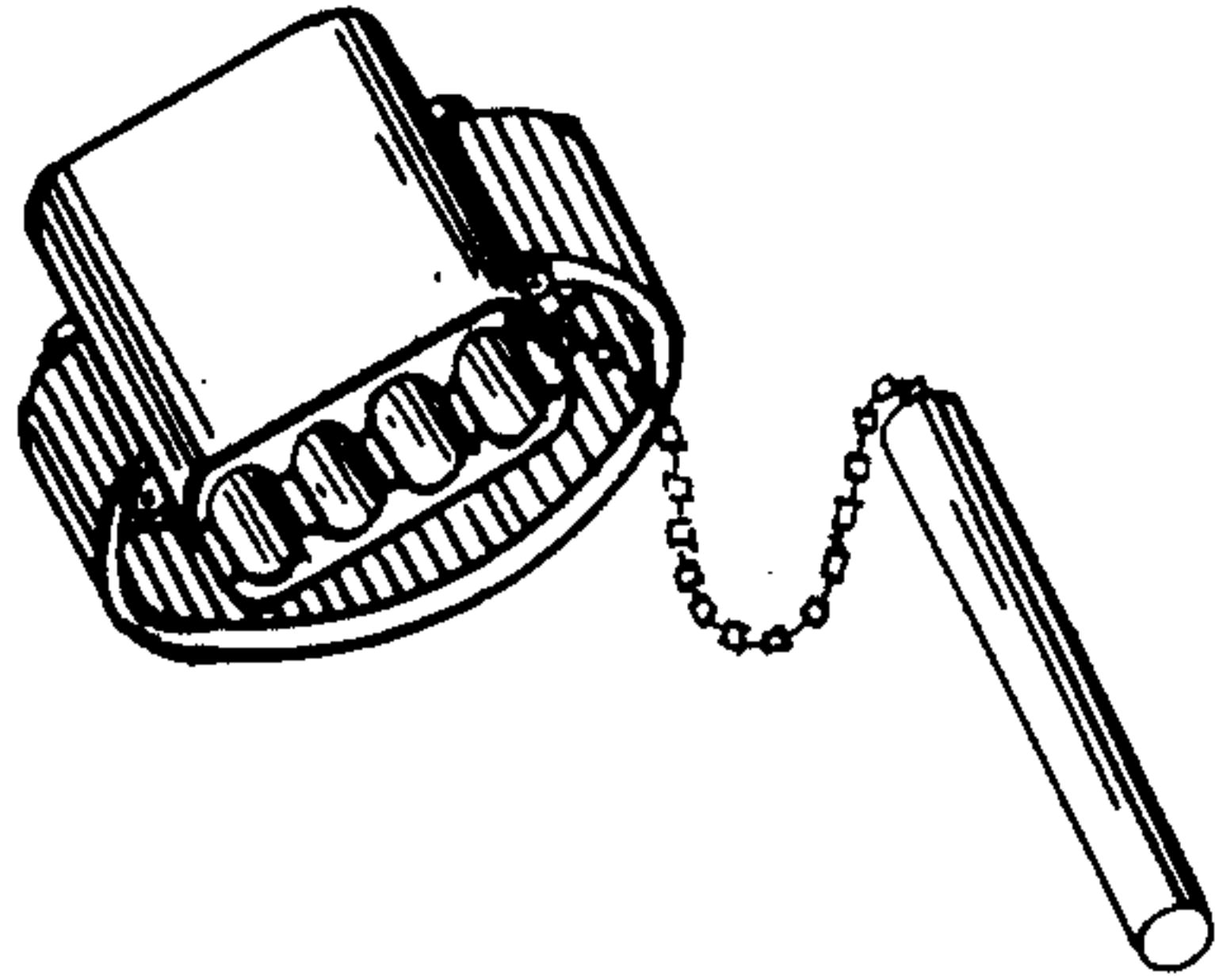


Fig. 2.