

[54] MAIL BOX

[56] References Cited

[76] Inventor: Guy E. McConnell, 3729 N. Claremont, Fresno, Calif. 93727

U.S. PATENT DOCUMENTS

D. 158,292 4/1950 Keeler D99/30

Primary Examiner—James M. Gandy
Attorney, Agent, or Firm—Richard M. Worrel

[**] Term: 14 Years

[57] CLAIM

The ornamental design for a mail box, as shown.

[21] Appl. No.: 912,049

DESCRIPTION

[22] Filed: Jun. 2, 1978

FIG. 1 is a front elevational view of the mail box showing my new design.

FIG. 2 is a right side elevational view thereof.

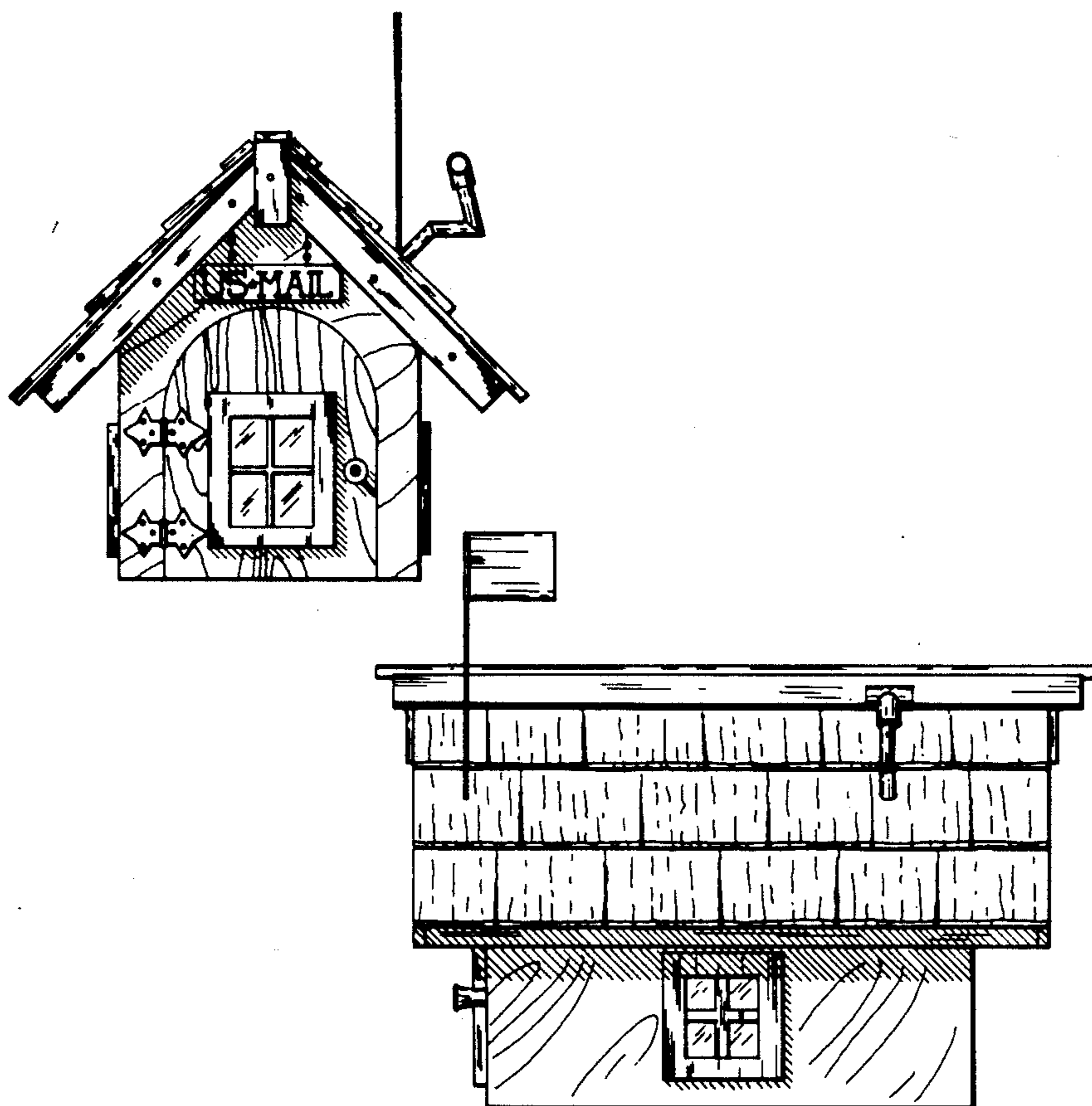
FIG. 3 is a left side elevational view thereof.

FIG. 4 is a rear elevational view thereof.

FIG. 5 is a top plan view thereof.

FIG. 6 is a bottom plan view thereof.

[51] Int. Cl. D31—00
[52] U.S. Cl. D99/30
[58] Field of Search D99/30; 232/17, 34



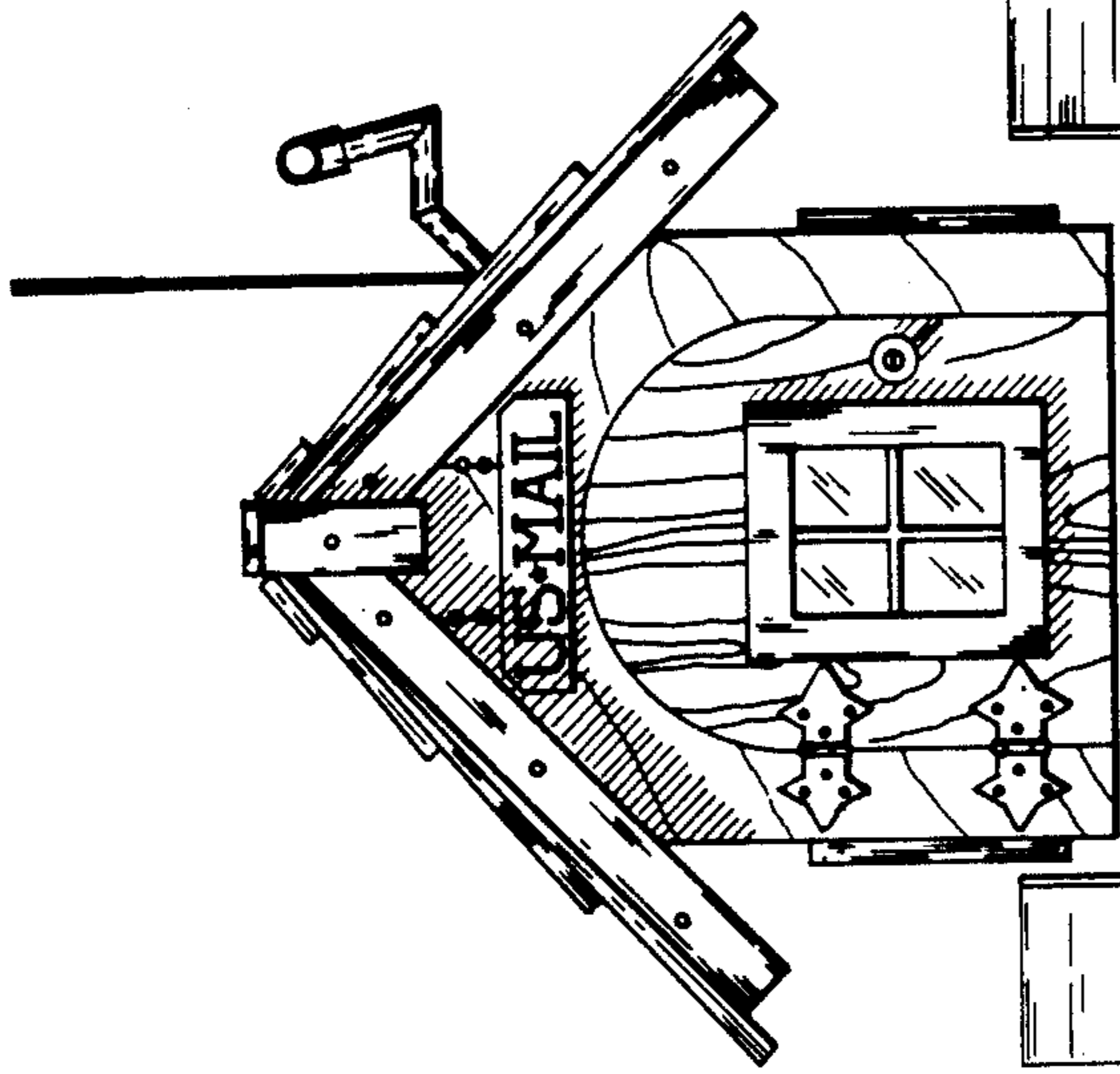


FIG. 1

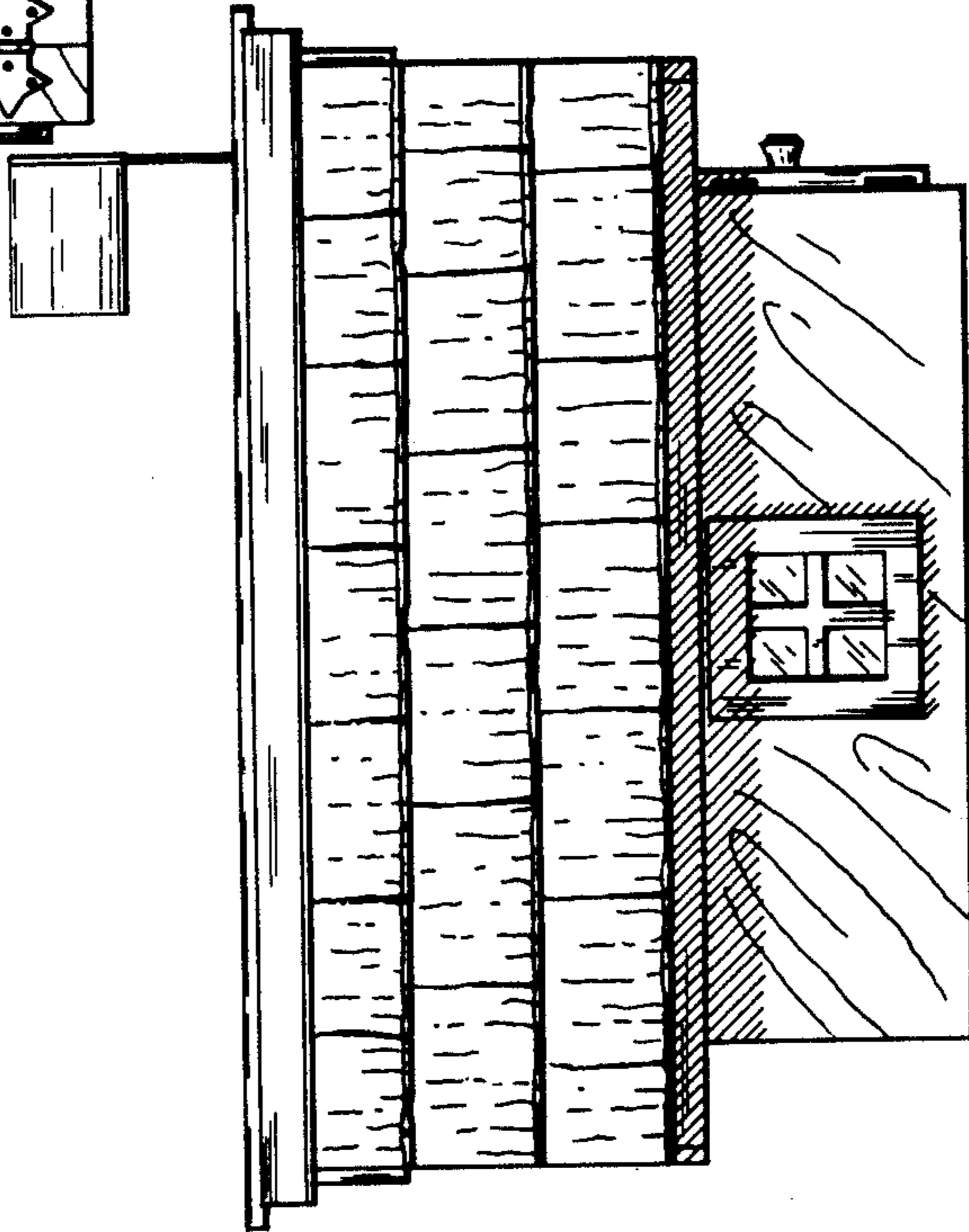
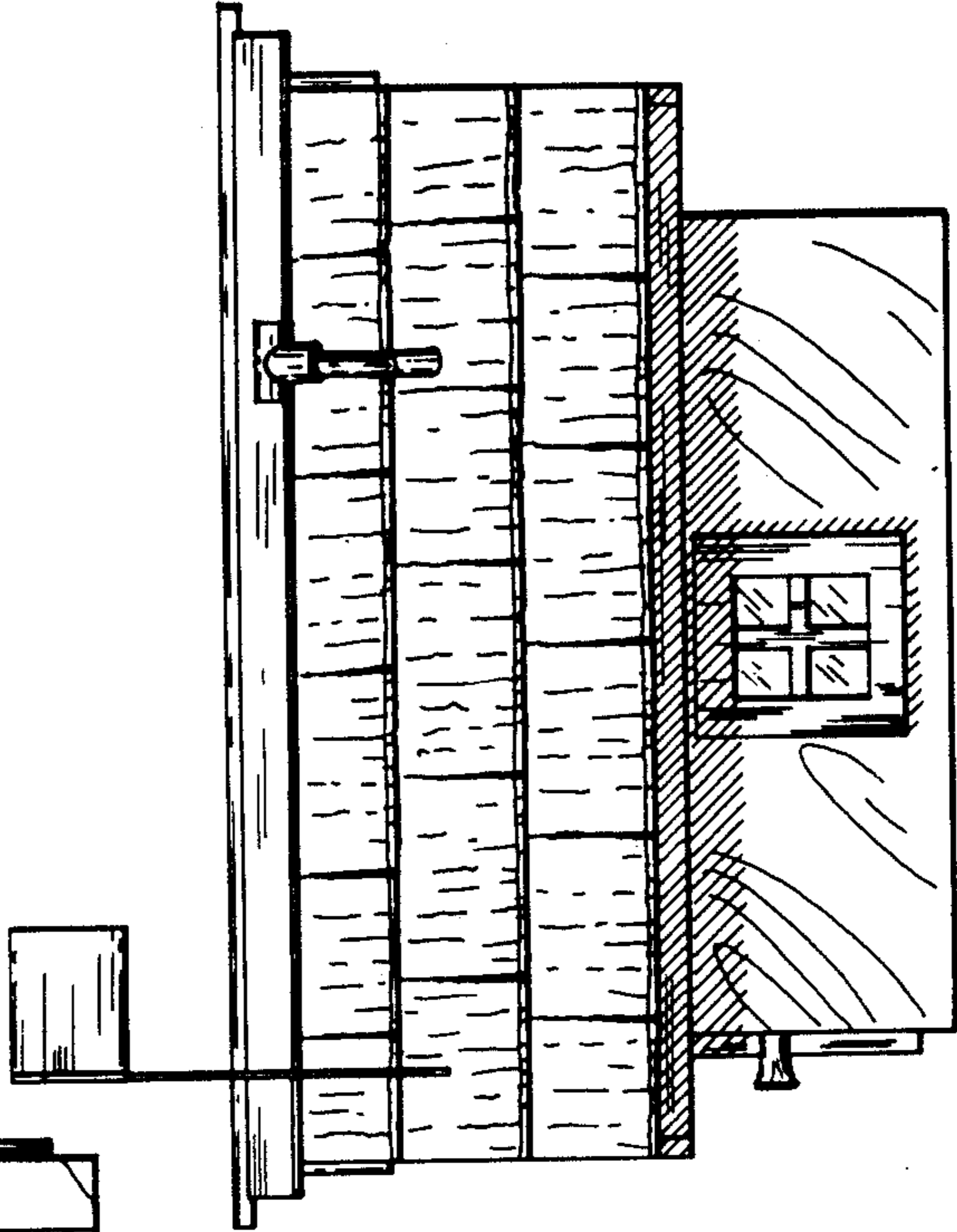


FIG. 2

FIG. 3

FIG. 4

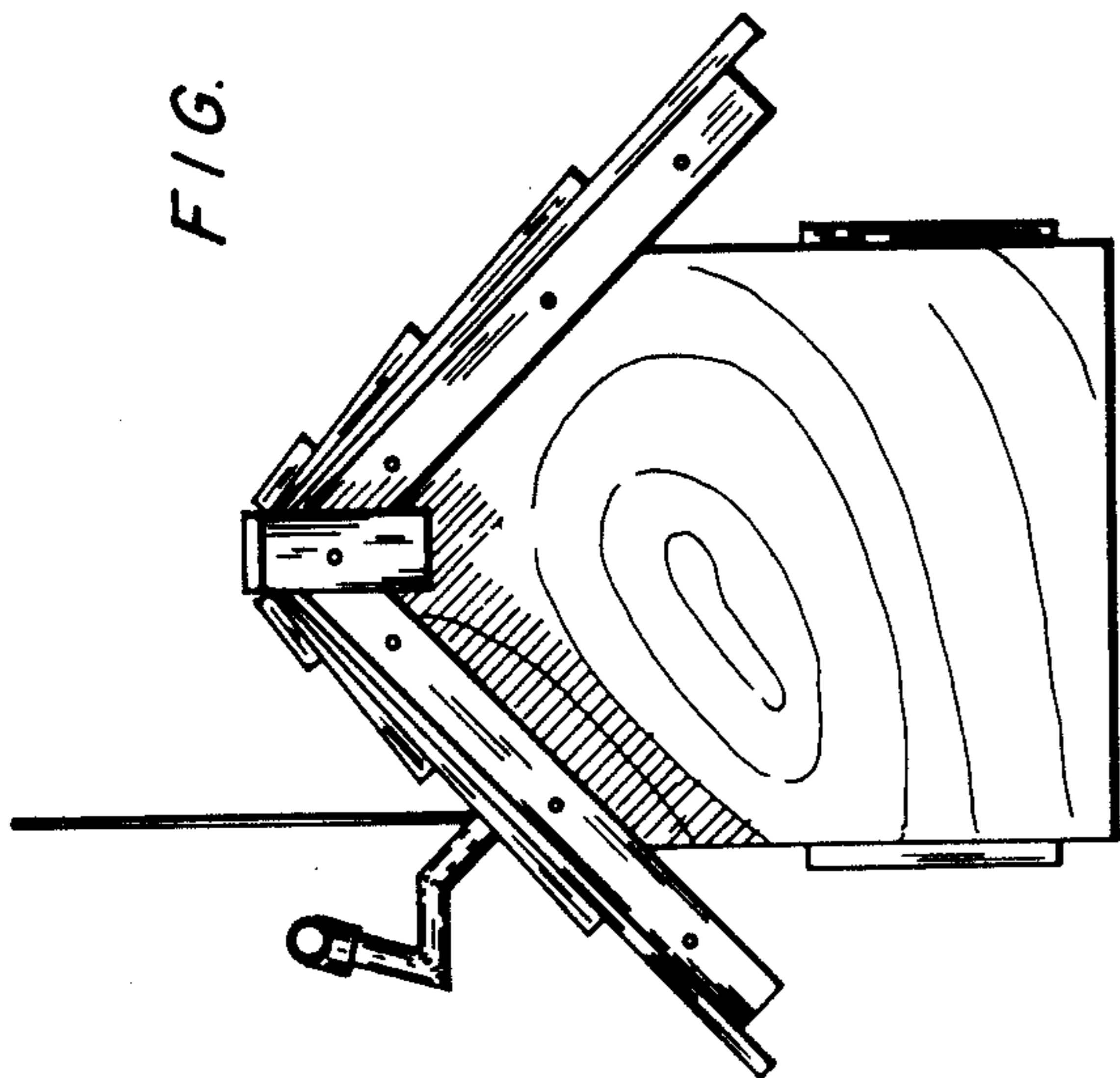


FIG. 6

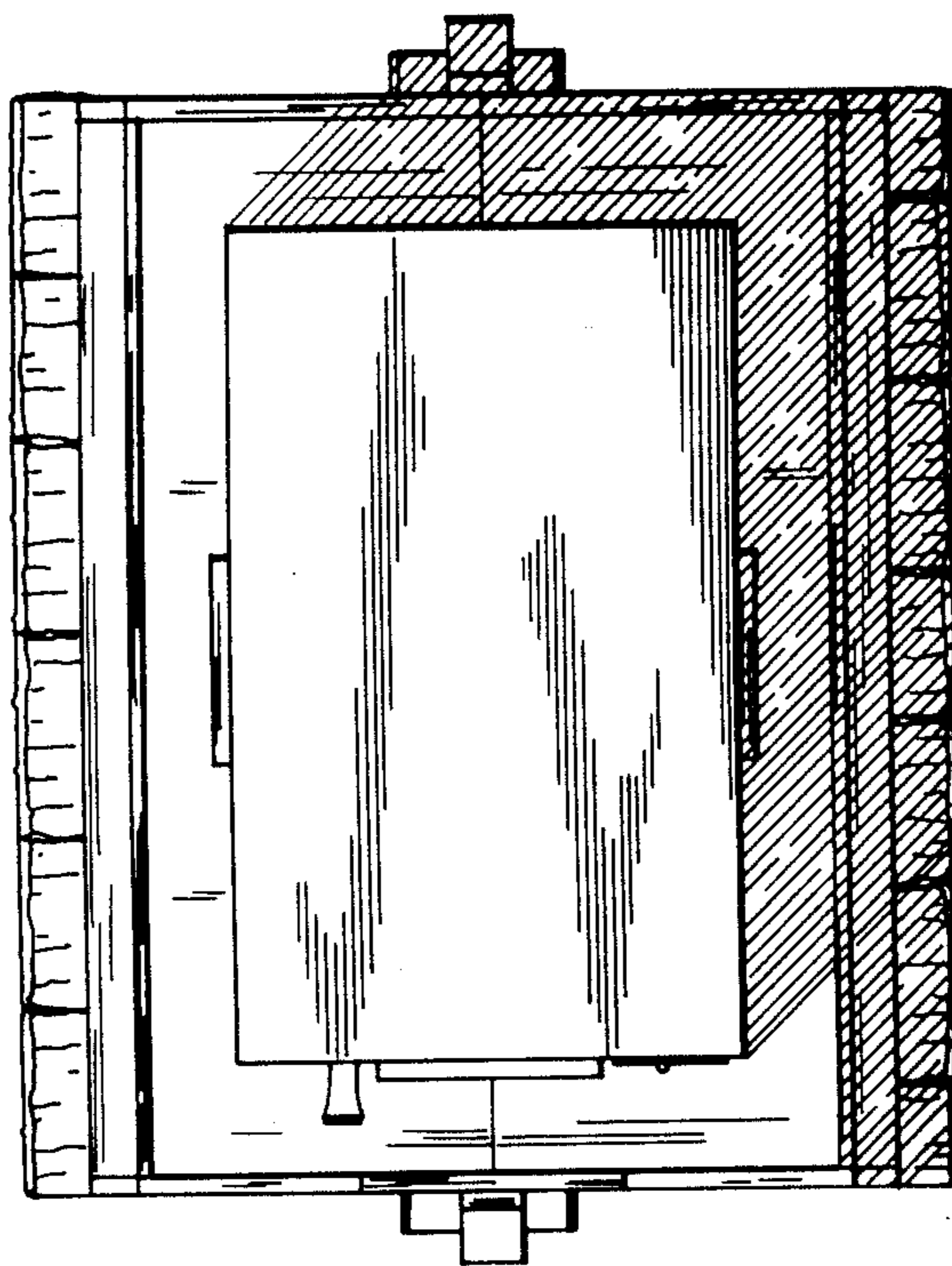


FIG. 5

