

[54] HAIRDRYER WITH CURLING WAND

[75] Inventor: Heinz-Ulrich Haase, Kronberg, Fed. Rep. of Germany

[73] Assignee: Braun A.G., Frankfurt am Main, Fed. Rep. of Germany

[**] Term: 14 Years

[21] Appl. No.: 839,116

[22] Filed: Oct. 3, 1977

[30] Foreign Application Priority Data

Apr. 1, 1977 [DE] Fed. Rep. of Germany 738600

[51] Int. Cl. D28-03

[52] U.S. Cl. D28/13; D28/15; D28/35

[58] Field of Search D28/9-19, D28/35; 132/7, 9, 37 R; 34/96-101; 219/222, 225, 226, 370

[56] References Cited

U.S. PATENT DOCUMENTS

3,599,345 8/1971 Tolmie 219/370

OTHER PUBLICATIONS

Form, 4/76, p. 87-Dryer at top.

Merchandising, 6/76, p. 11-Power Brush at center.

Primary Examiner—Louis S. Zarfes

Attorney, Agent, or Firm—Michael J. Striker

[57] CLAIM

The ornamental design for a hairdryer with curling wand, substantially as shown and described.

DESCRIPTION

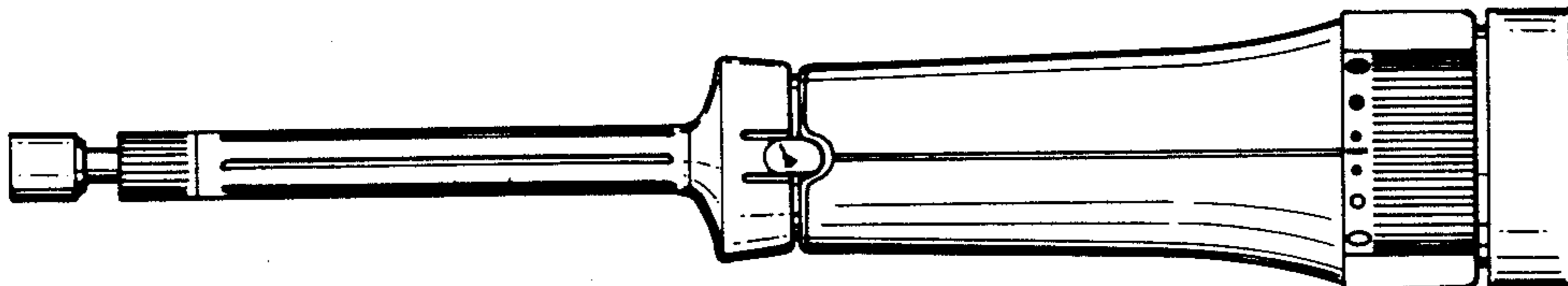
FIG. 1 is a top-plan view of a hairdryer with curling wand, showing my new design;

FIG. 2 is a right side elevational view thereof; and

FIG. 3 is a front end view thereof;

FIG. 4 is a bottom-plan view thereof; and

FIG. 5 is a rear end view of the design.



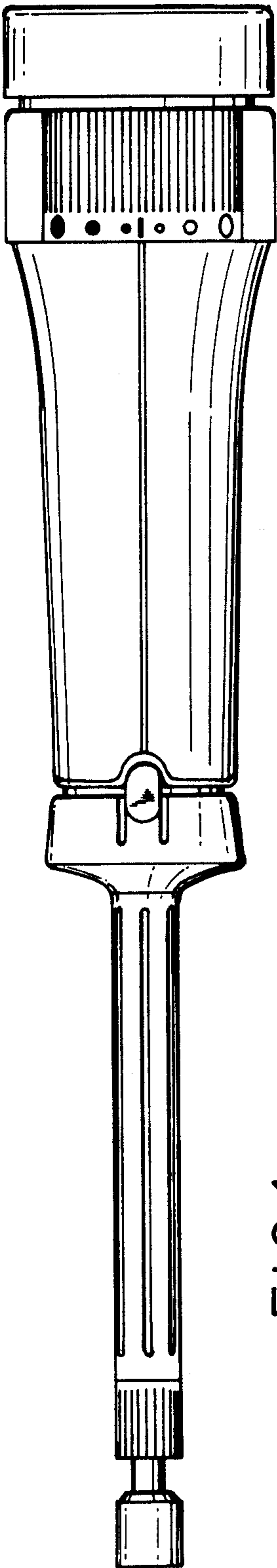


FIG. 1

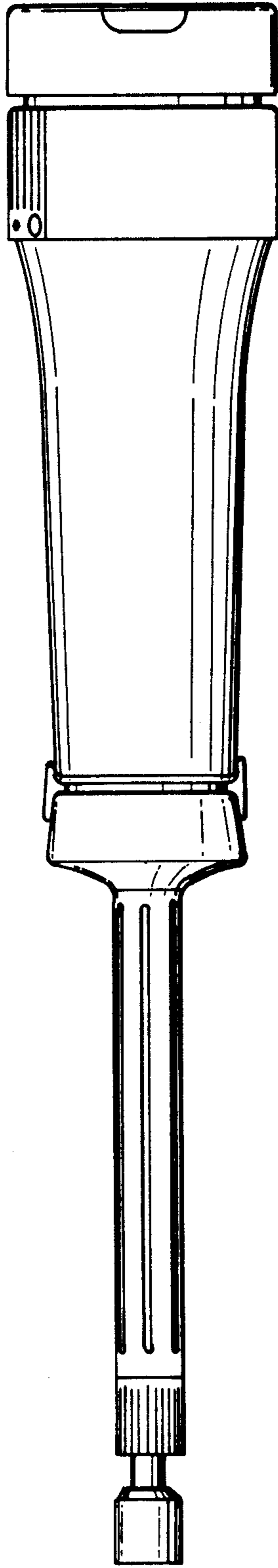


FIG. 2

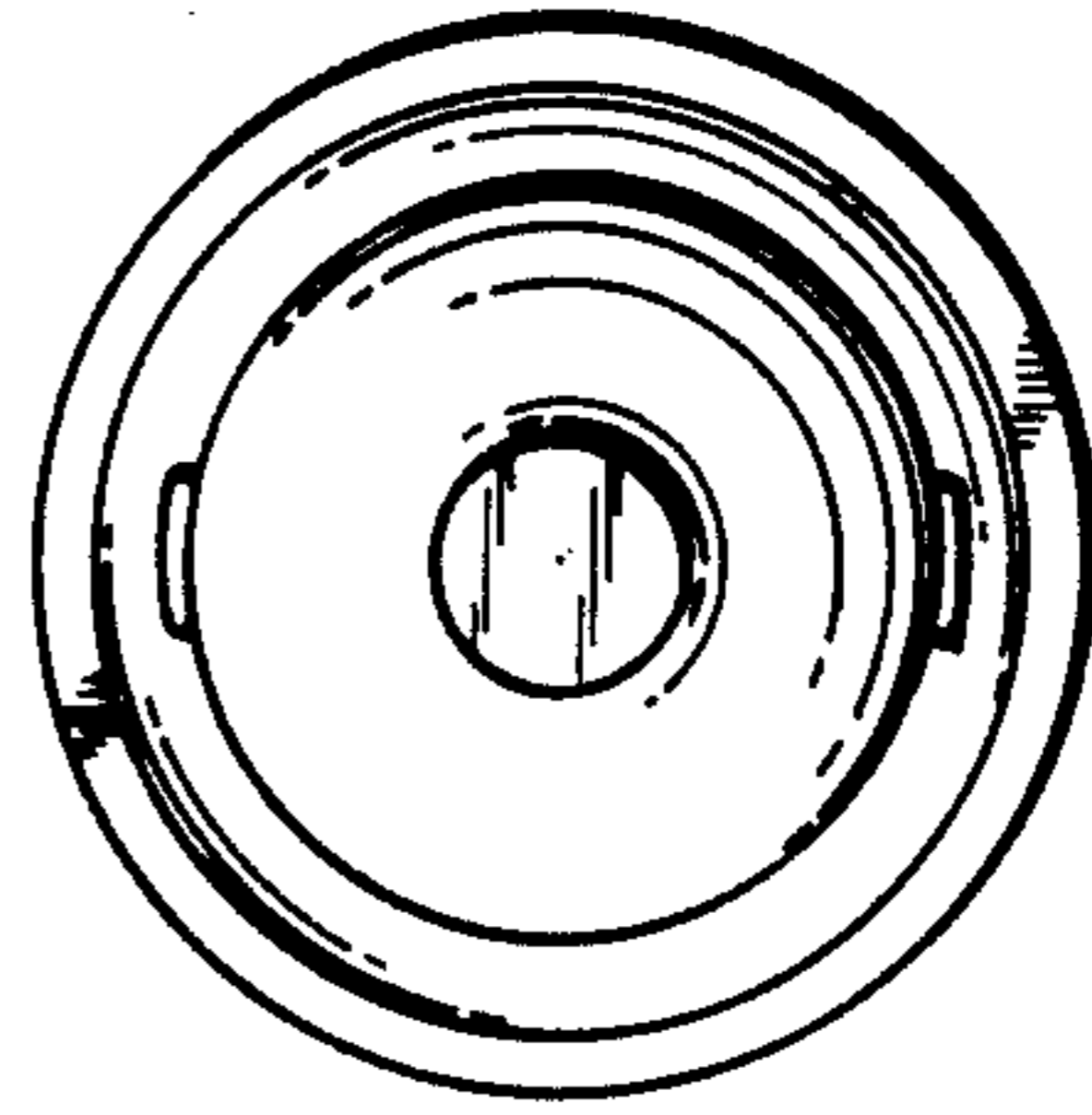


FIG. 3

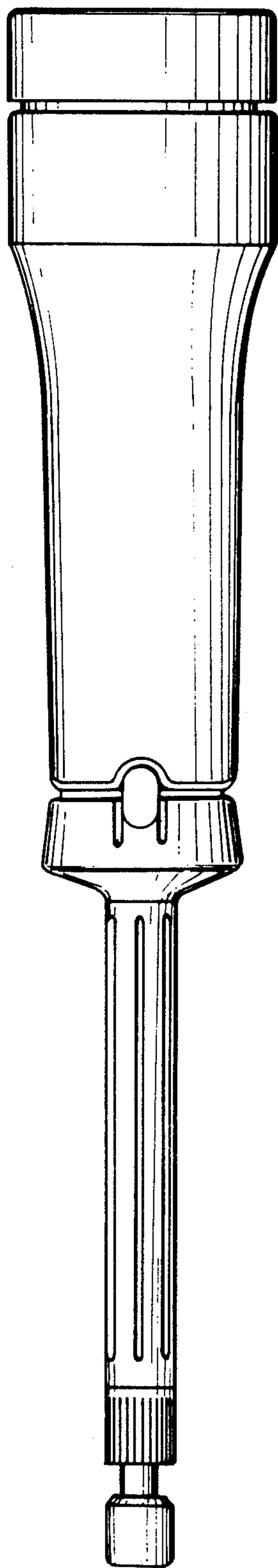


FIG. 4

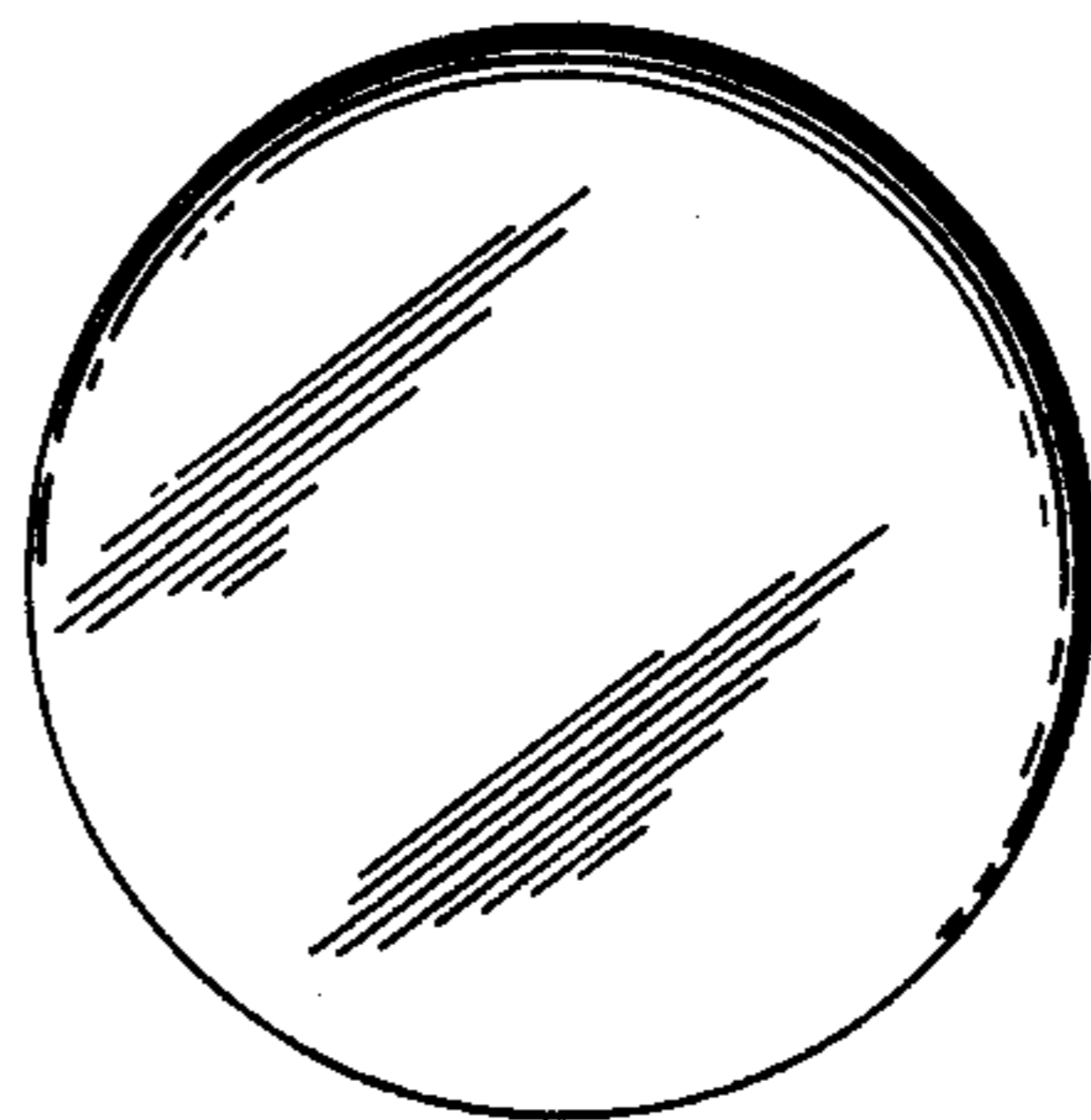


FIG. 5

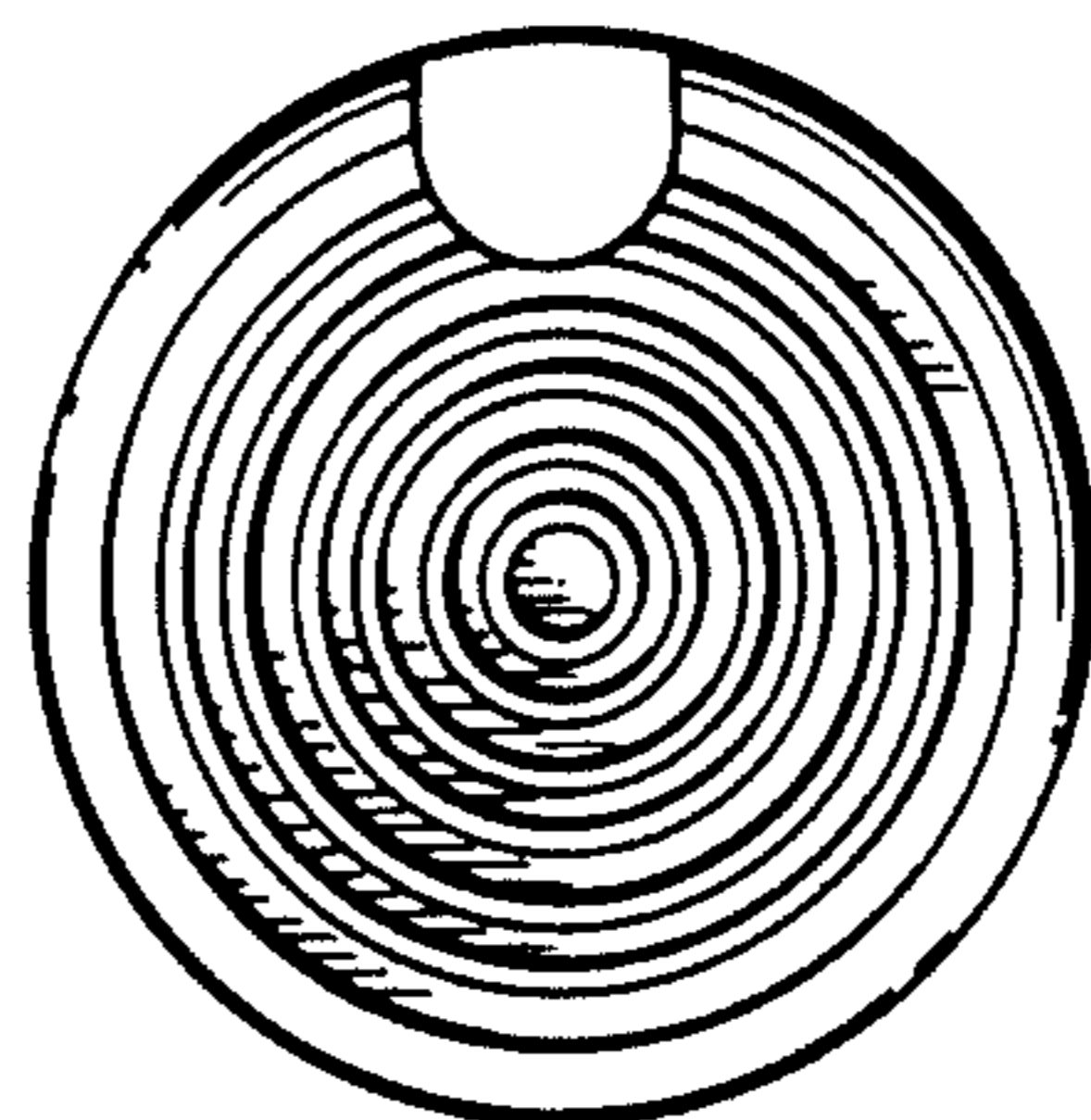


FIG. 5