

[54] ELECTRICAL HAIRSTYLING DRYER OR SIMILAR ARTICLE

[75] Inventor: Michel Rosse, Muttentz, Switzerland

[73] Assignee: Blitog SA, Zug, Switzerland

[**] Term: 14 Years

[21] Appl. No.: 885,033

[22] Filed: Mar. 9, 1978

[30] Foreign Application Priority Data

Oct. 25, 1977 [CH] Switzerland 65860/77

[51] Int. Cl. D28-03

[52] U.S. Cl. D28/13

[58] Field of Search D28/10, 12, 13, 15, D28/18, 24; D4/13, 14, 19; 34/96-101; 132/7, 9

[56] References Cited

U.S. PATENT DOCUMENTS

3,397,463 8/1968 Laing 34/97
3,911,934 10/1975 Helbling D28/12 X

OTHER PUBLICATIONS

Supplement to the Washington Post, Sun., 11/19/72, p. 7-Empire Hairbrush at left center.

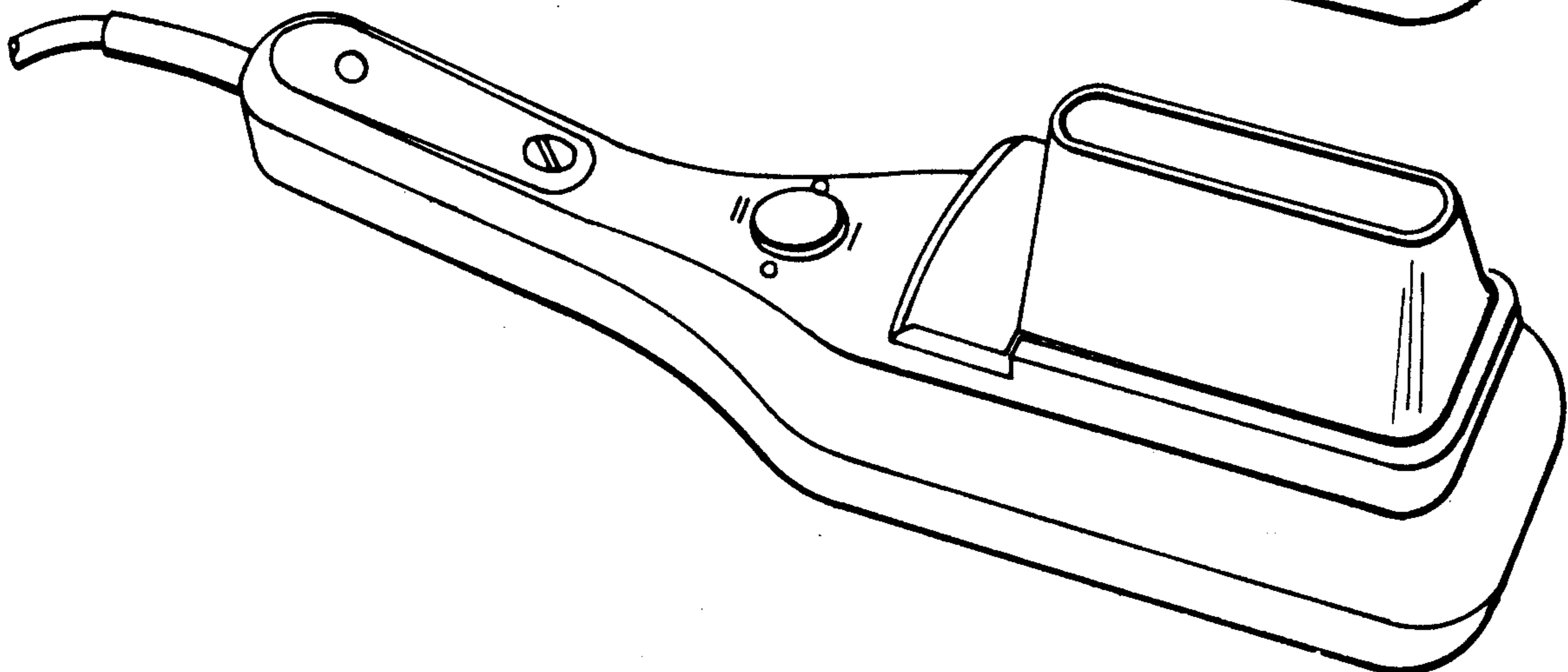
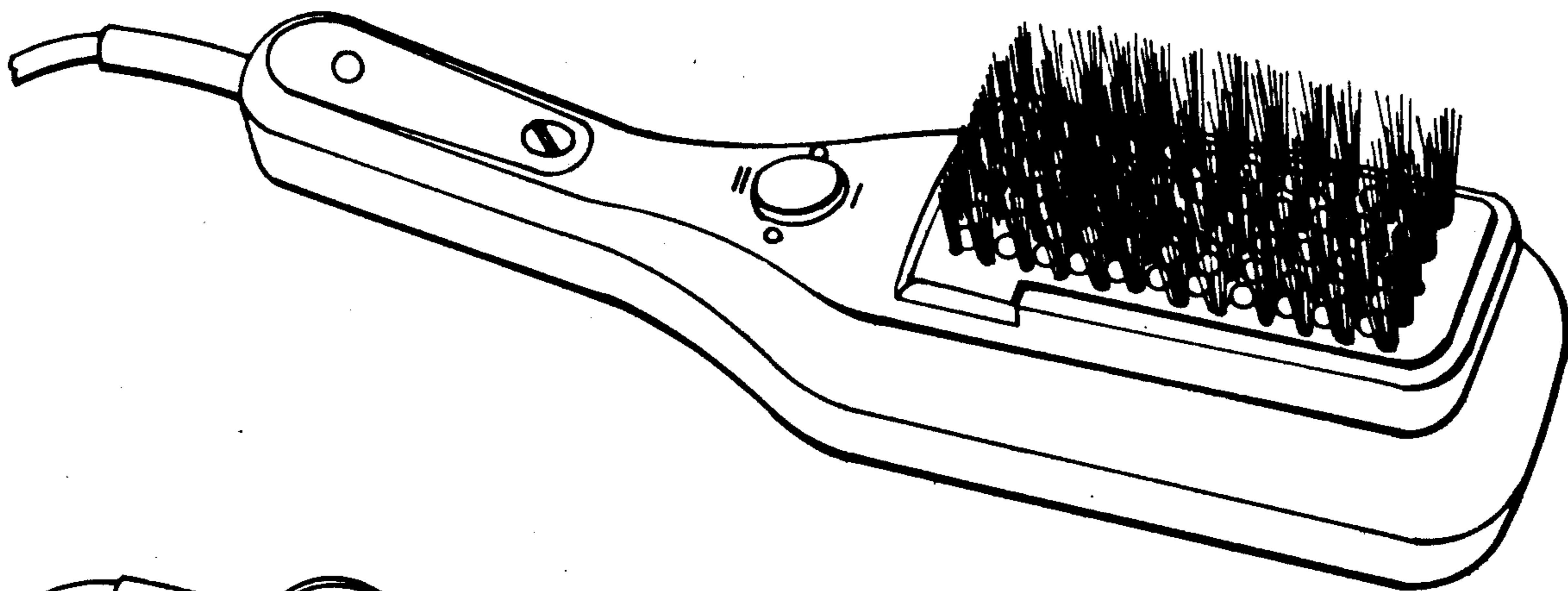
Primary Examiner—Louis S. Zarras
Attorney, Agent, or Firm—Werner W. Kleeman

[57] CLAIM

The ornamental design for electrical hairstyling dryer or similar article, as shown and described.

DESCRIPTION

FIG. 1 is a perspective view of an electrical hairstyling dryer or similar article showing my new design; FIG. 2 is an end view thereof, looking from the left-hand side of FIG. 1; FIG. 3 is an end view thereof, looking from the right-hand side of FIG. 1; FIG. 4 is a left side elevational view thereof, the right side being a mirror image; FIG. 5 is a top plan view thereof the intermediate rows of bristles being omitted for ease of illustration; FIG. 6 is a bottom plan view thereof; FIG. 7 is a perspective view of an electrical hairstyling dryer or similar article showing a modified form of my new design; FIG. 8 is an end view thereof, looking from the left-hand side of FIG. 7; FIG. 9 is an end view thereof, looking from the right-hand side of FIG. 7; FIG. 10 is a left side elevational view thereof, the right side being a mirror image; FIG. 11 is a top plan view thereof; and FIG. 12 is a bottom plan view thereof. The conventional power chord is shown broken away for ease of illustration.



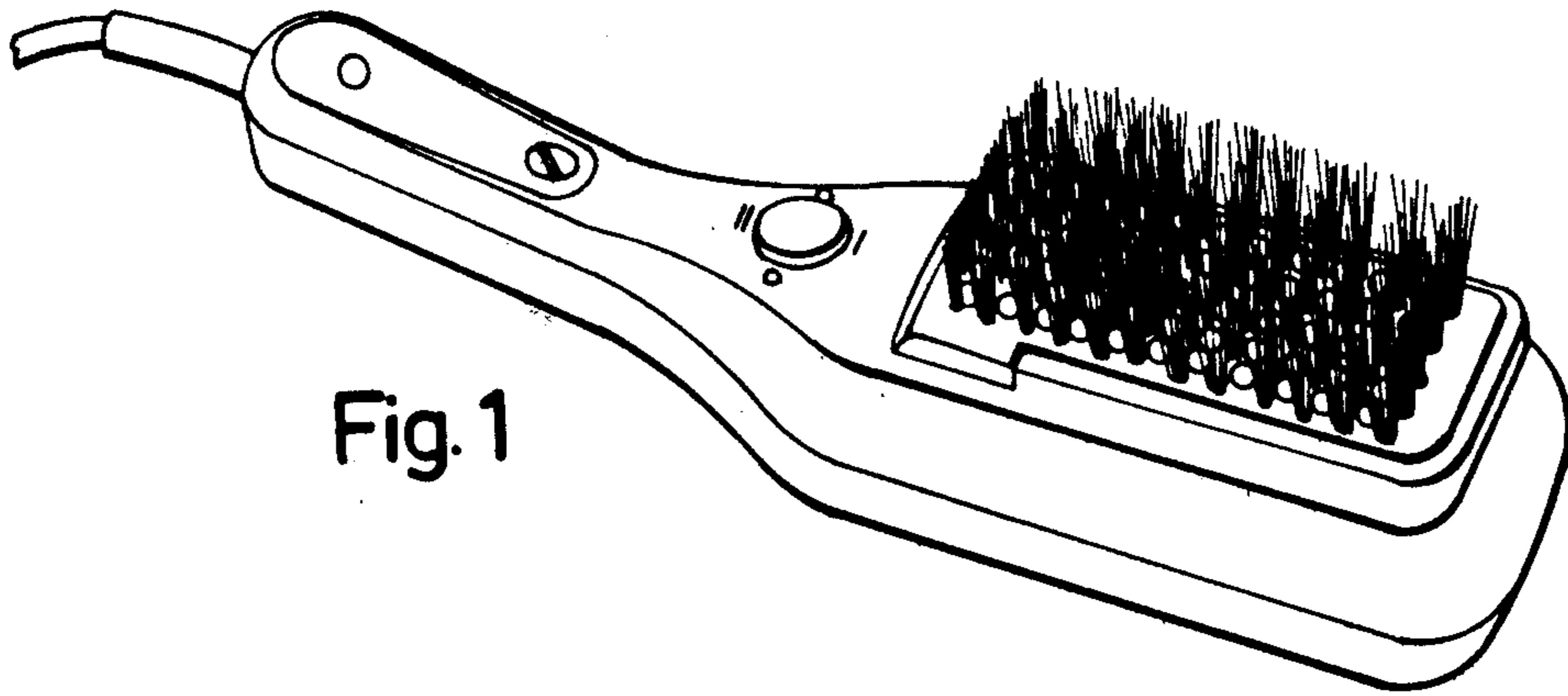


Fig. 1

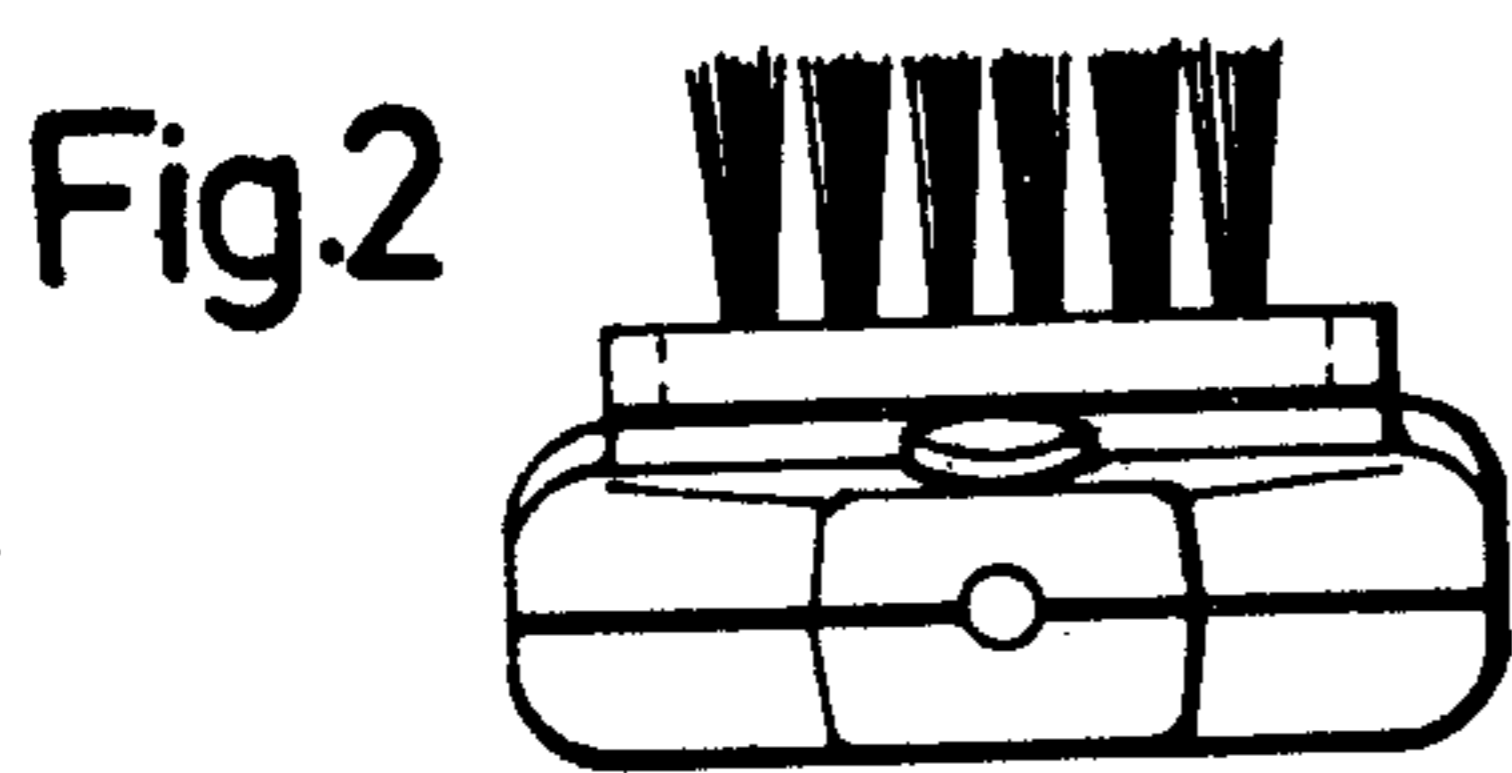


Fig. 2

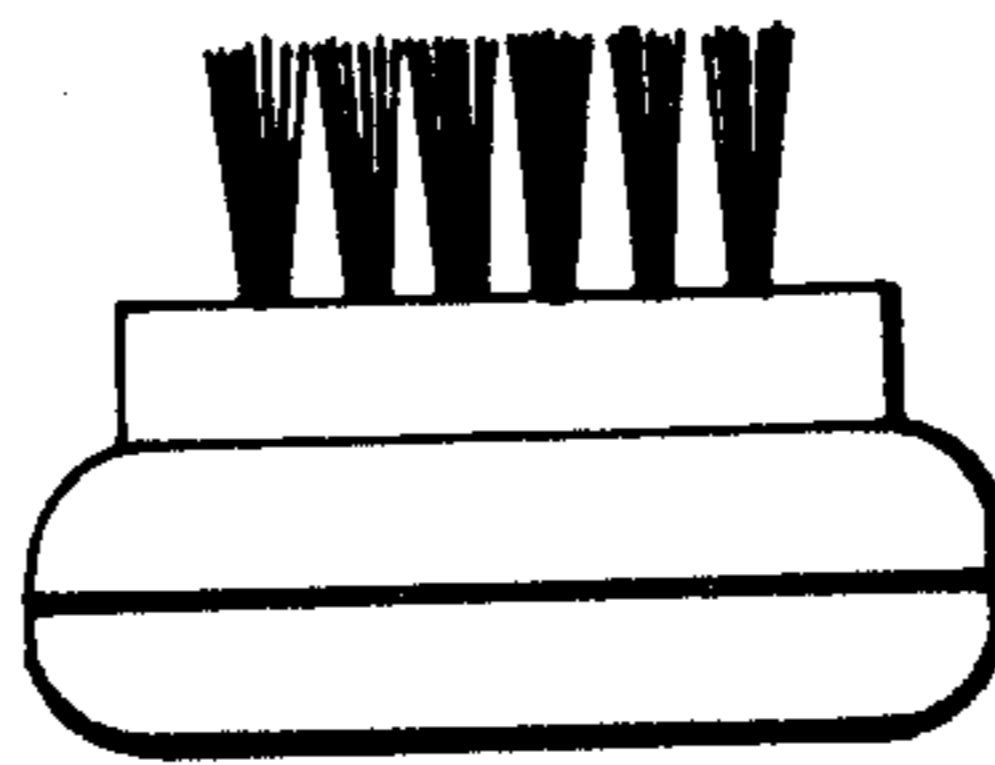


Fig. 3

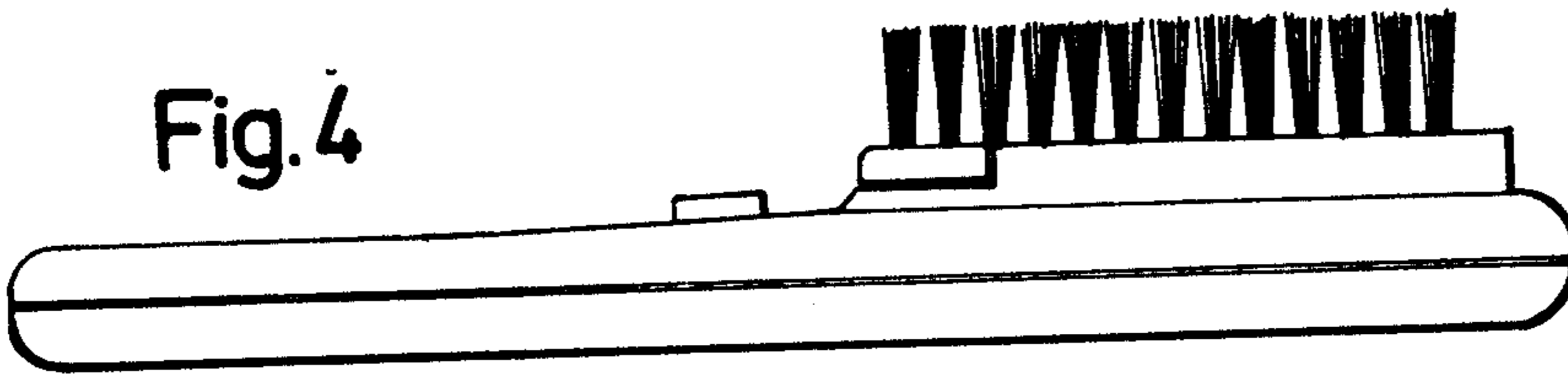


Fig. 4

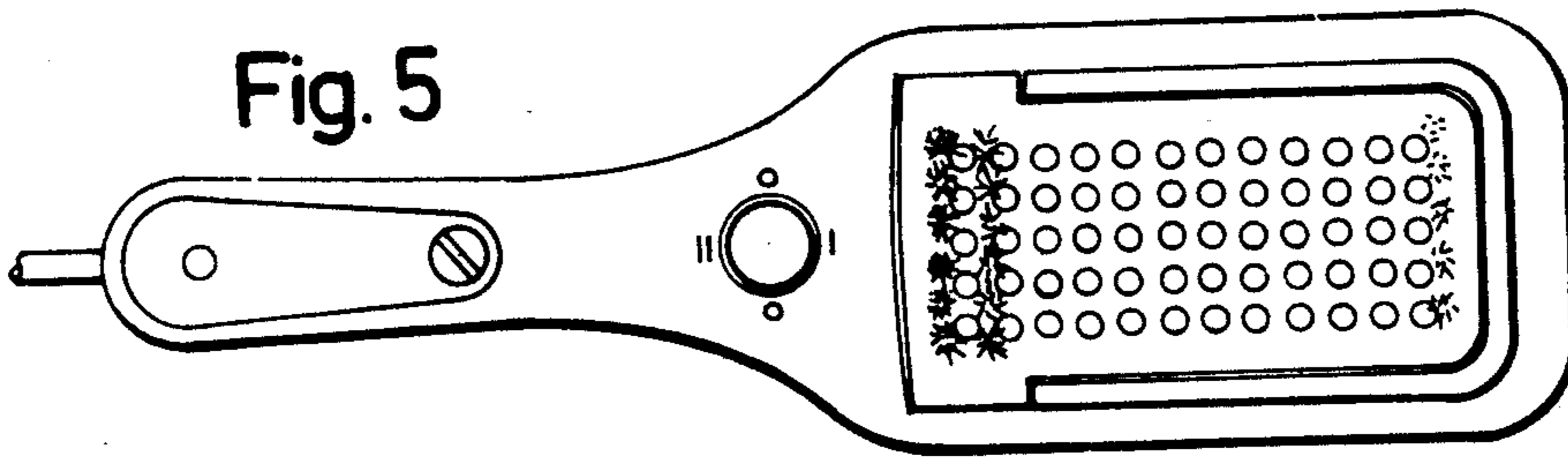


Fig. 5

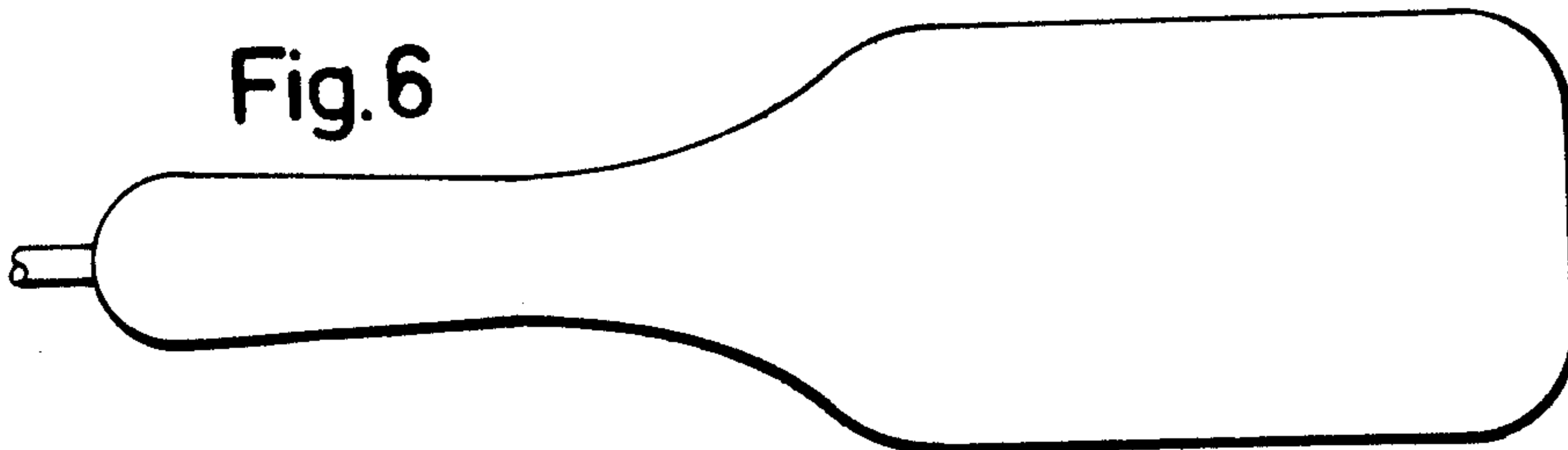


Fig. 6

