

[54] LANTERN

[75] Inventors: **Chung C. Wong, Kowloon; Robert E. Brindley, Hong Kong, both of Hong Kong**

[73] Assignee: **Sonca Industries Limited, Kowloon, Hong Kong**

[**] Term: **14 Years**

[21] Appl. No.: **872,240**

[22] Filed: **Jan. 25, 1978**

[30] **Foreign Application Priority Data**

Aug. 3, 1977 [GB] United Kingdom 981016/77

[51] Int. Cl. **D26—02**

[52] U.S. Cl. **D26/46; D26/48; D26/49**

[58] **Field of Search** D48/24 R, 24 A; 362/2157, 183, 189, 190, 194, 195, 196, 197, 198, 199, 200, 201, 202, 203, 204, 205

[56] **References Cited**

U.S. PATENT DOCUMENTS

D. 198,181 5/1964 Doring D48/24 R
D. 226,219 1/1973 Brindley D48/24 R

Primary Examiner—Susan J. Lucas
Attorney, Agent, or Firm—John E. Lind

[57] **CLAIM**

The ornamental design for a lantern, substantially as shown and described.

DESCRIPTION

FIG. 1 is a side elevational view of a lantern showing our new design;

FIG. 2 is a front view of the lantern;

FIG. 3 is a rear view of the lantern;

FIG. 4 is a top plan view of the lantern; and

FIG. 5 is a bottom plan view of the lantern.

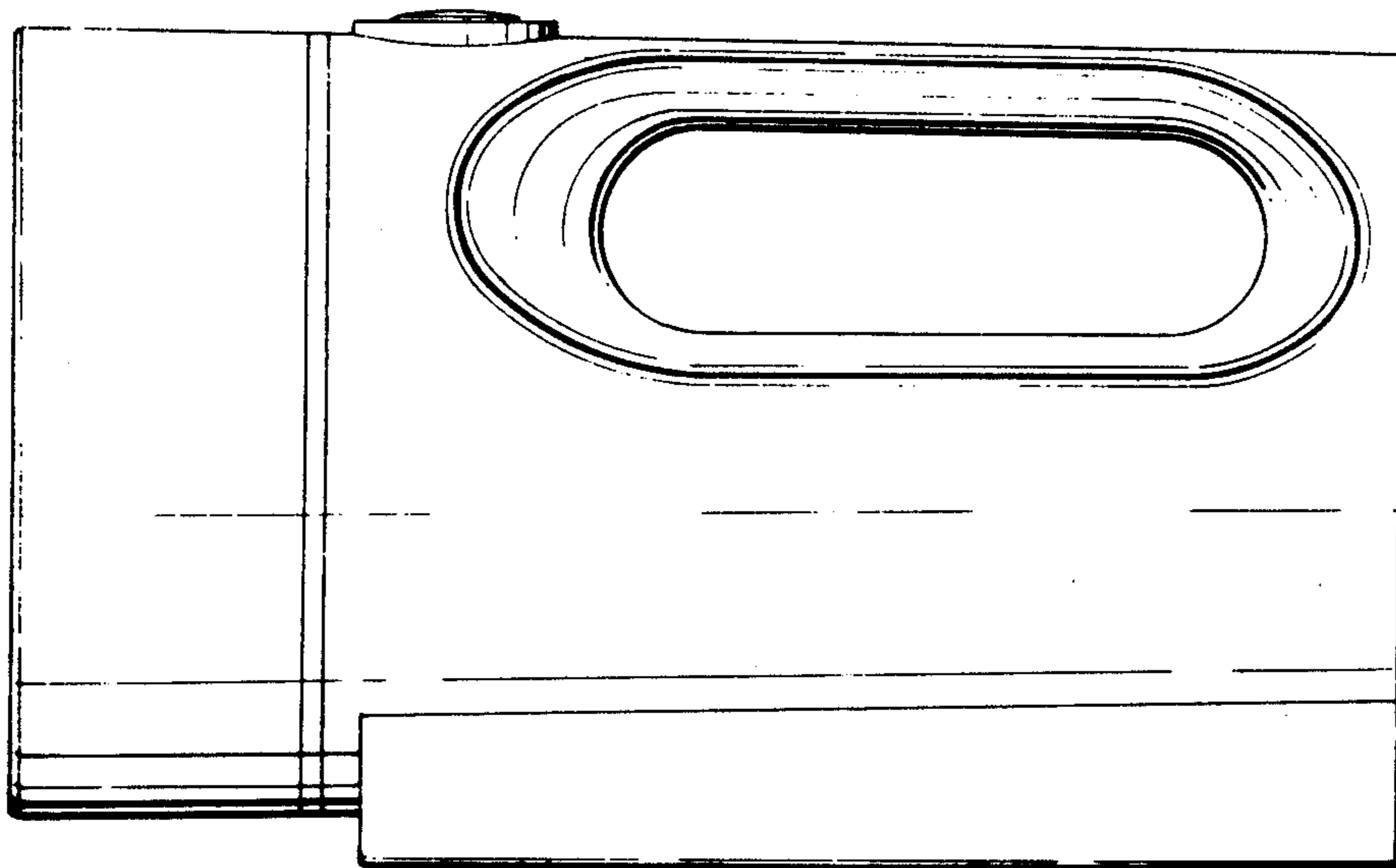


FIG. 1

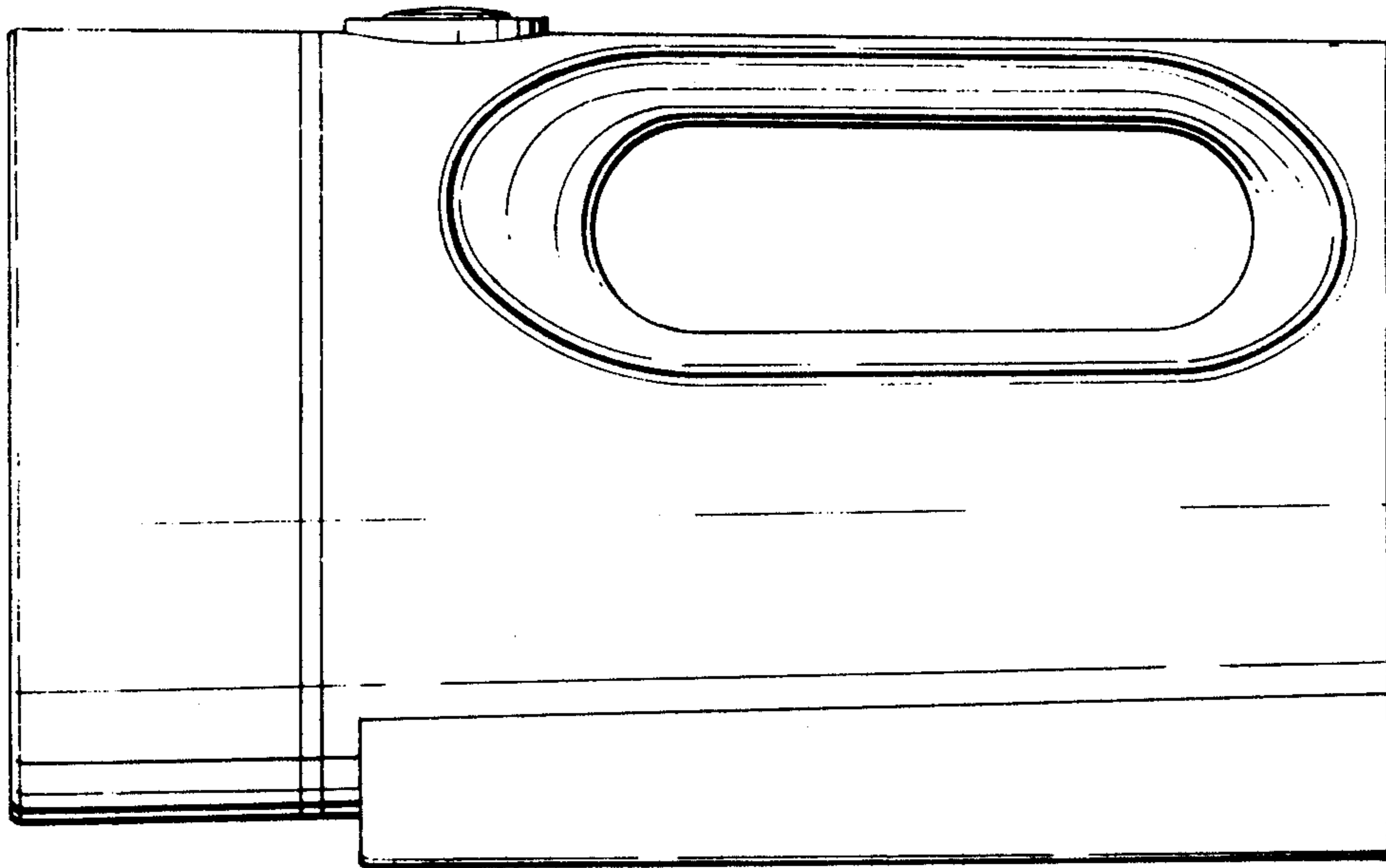


FIG. 2

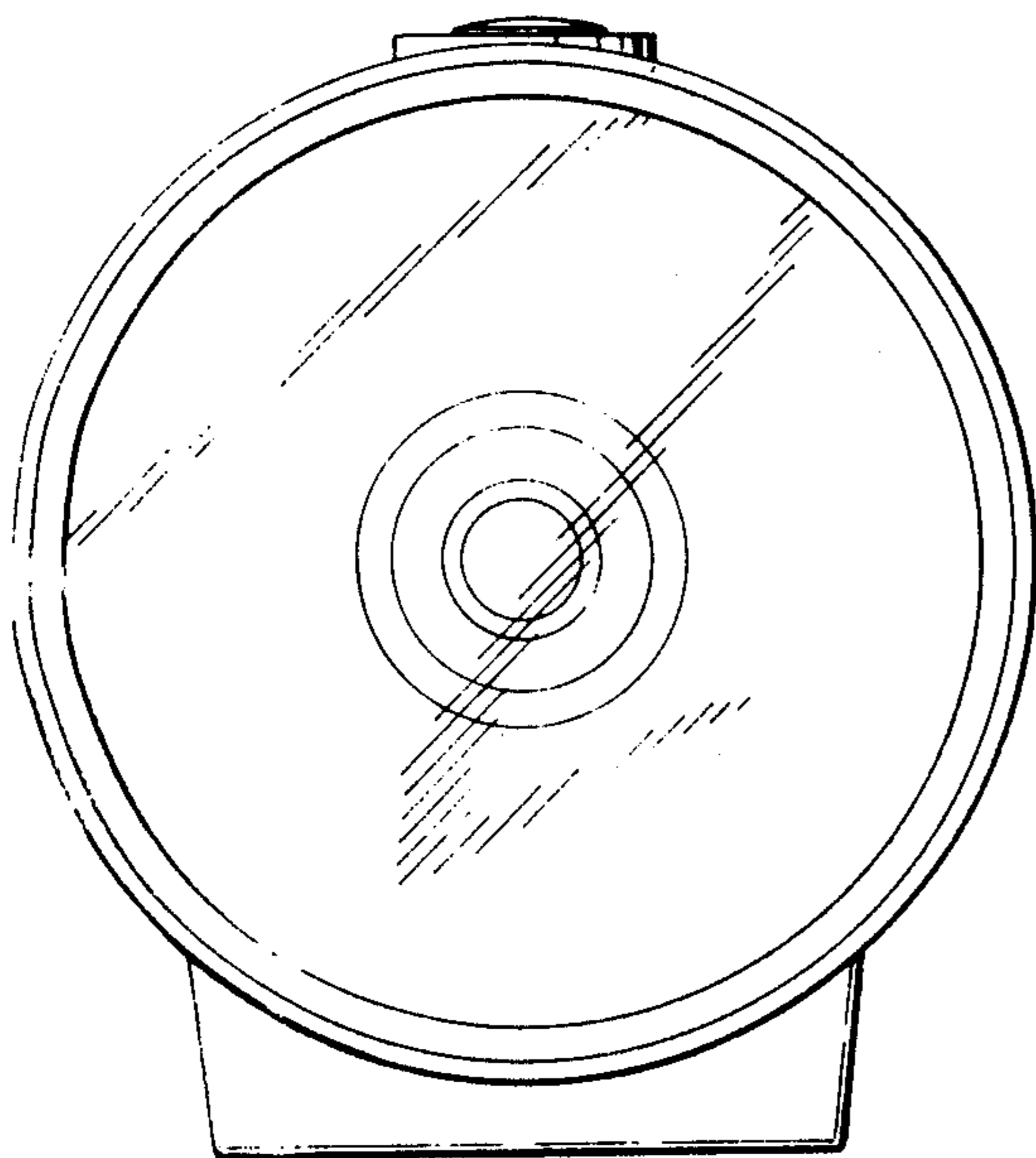


FIG. 3

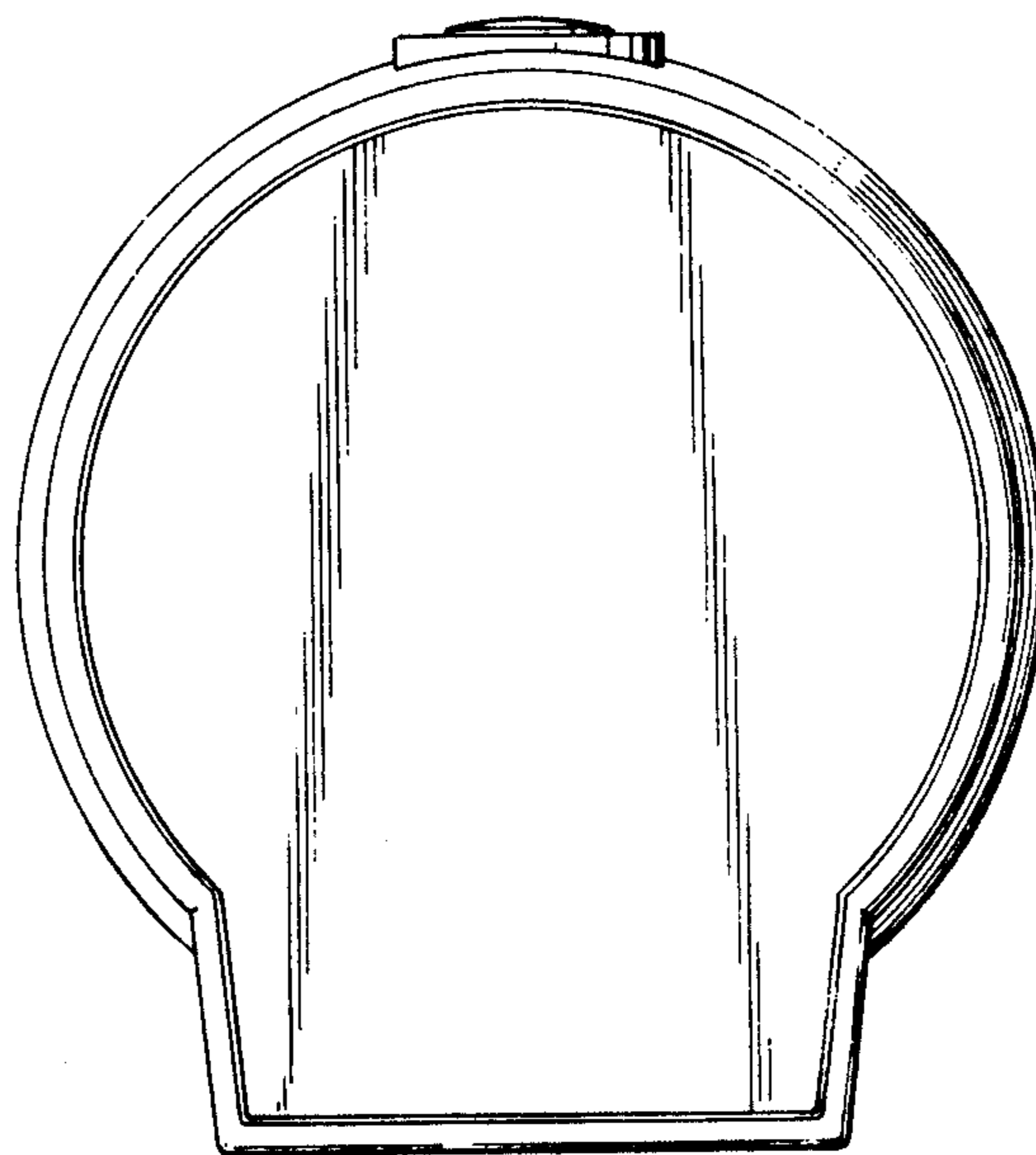


FIG. 4

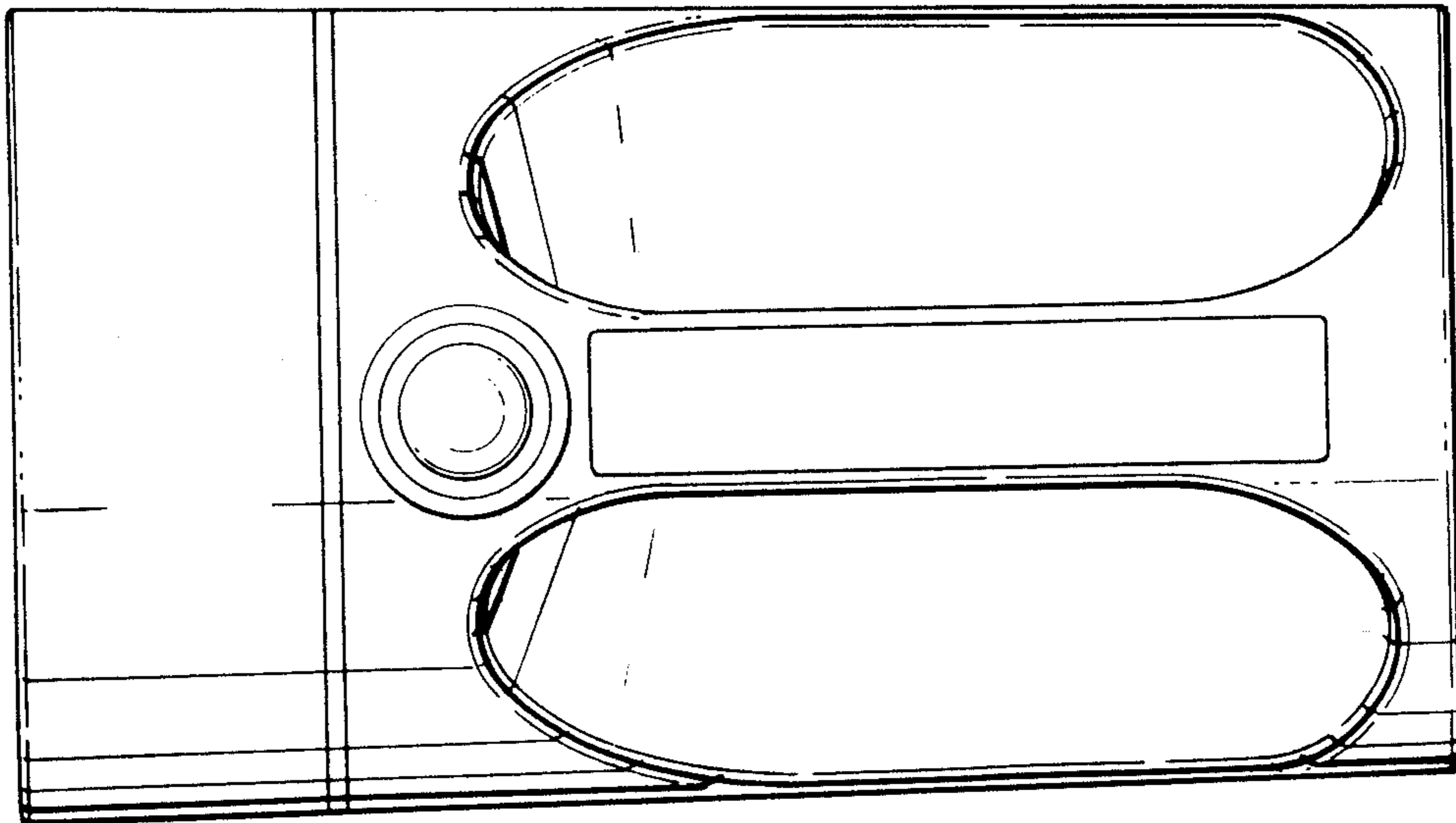


FIG. 5

