

[54] PORTABLE ELECTRIC HEATER

[75] Inventors: Donald L. Townsend; Peter E. Huggler; Rex L. Notbohm, all of Columbia, Mo.

[73] Assignee: McGraw-Edison Company, Elgin, Ill.

[**] Term: 14 Years

[21] Appl. No.: 918,665

[22] Filed: Jun. 23, 1978

[51] Int. Cl. D23-03

[52] U.S. Cl. D23/124

[58] Field of Search D23/72, 77, 122, 123, D23/124, 156; 219/359, 363, 366, 367, 368, 369, 370, 371, 372, 533, 534

[56] References Cited

U.S. PATENT DOCUMENTS

D. 153,542 4/1949 Owens et al. D23/156

D. 164,613 9/1951 Wahlberg et al. D23/124
D. 201,165 5/1965 Briggs D23/124
1,730,982 10/1929 Pankratz et al. 219/370 X
2,839,657 6/1958 Mast 219/370 X

Primary Examiner—Catherine E. Kemper
Attorney, Agent, or Firm—Jon Carl Gealow

[57] CLAIM

The ornamental design for a portable electric heater, substantially as shown and described.

DESCRIPTION

FIG. 1 is a top perspective view of a portable electric heater, showing our new design;

FIG. 2 is a side elevational view, the opposite side being a mirror image thereof;

FIG. 3 is a rear elevational view thereof;

FIG. 4 is a front elevational view thereof;

FIG. 5 is a top plan view thereof;

FIG. 6 is a bottom plan view thereof.

The conventional electrical cord has been shown fragmentarily in all views for ease of illustration.

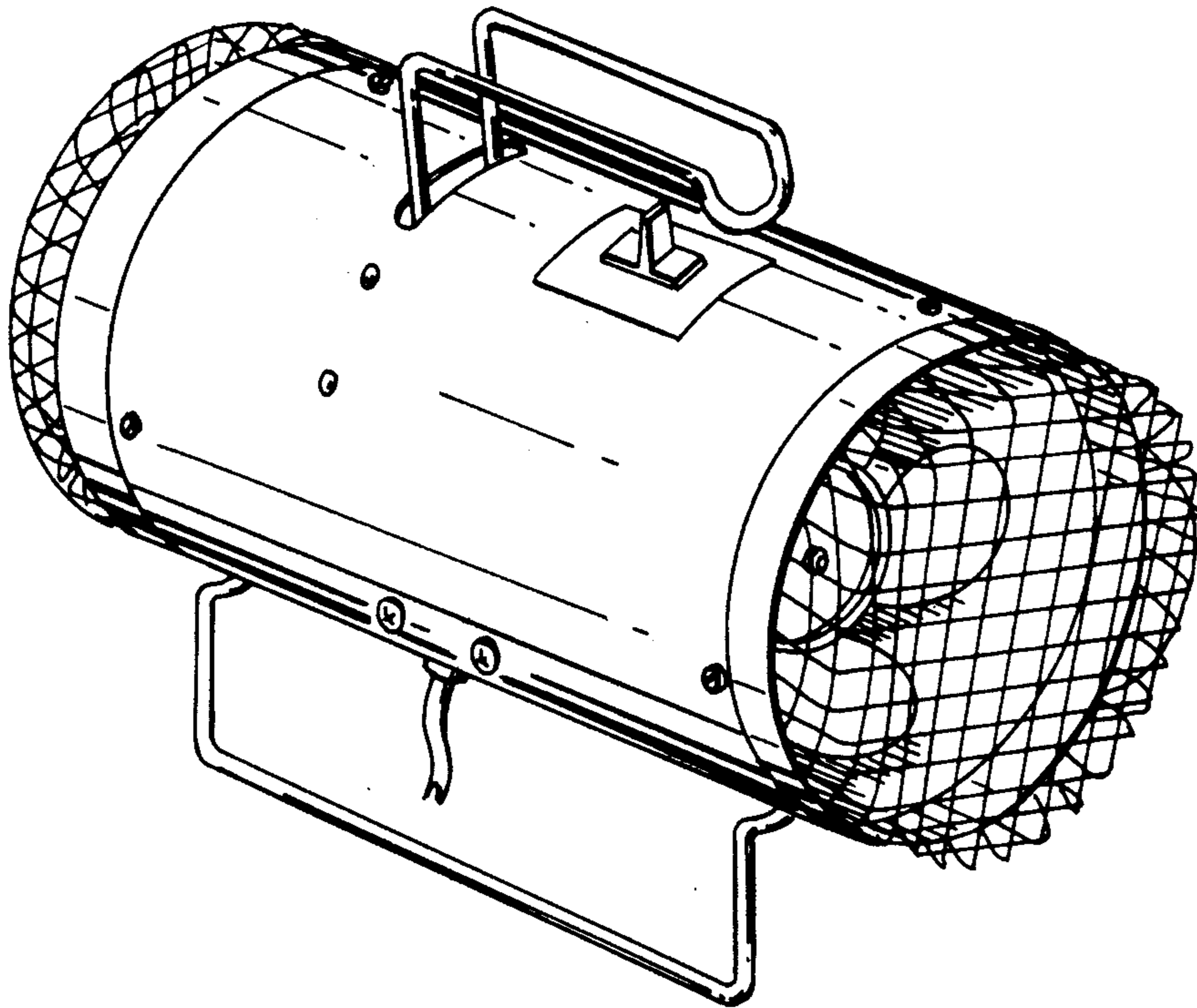


FIG. 1

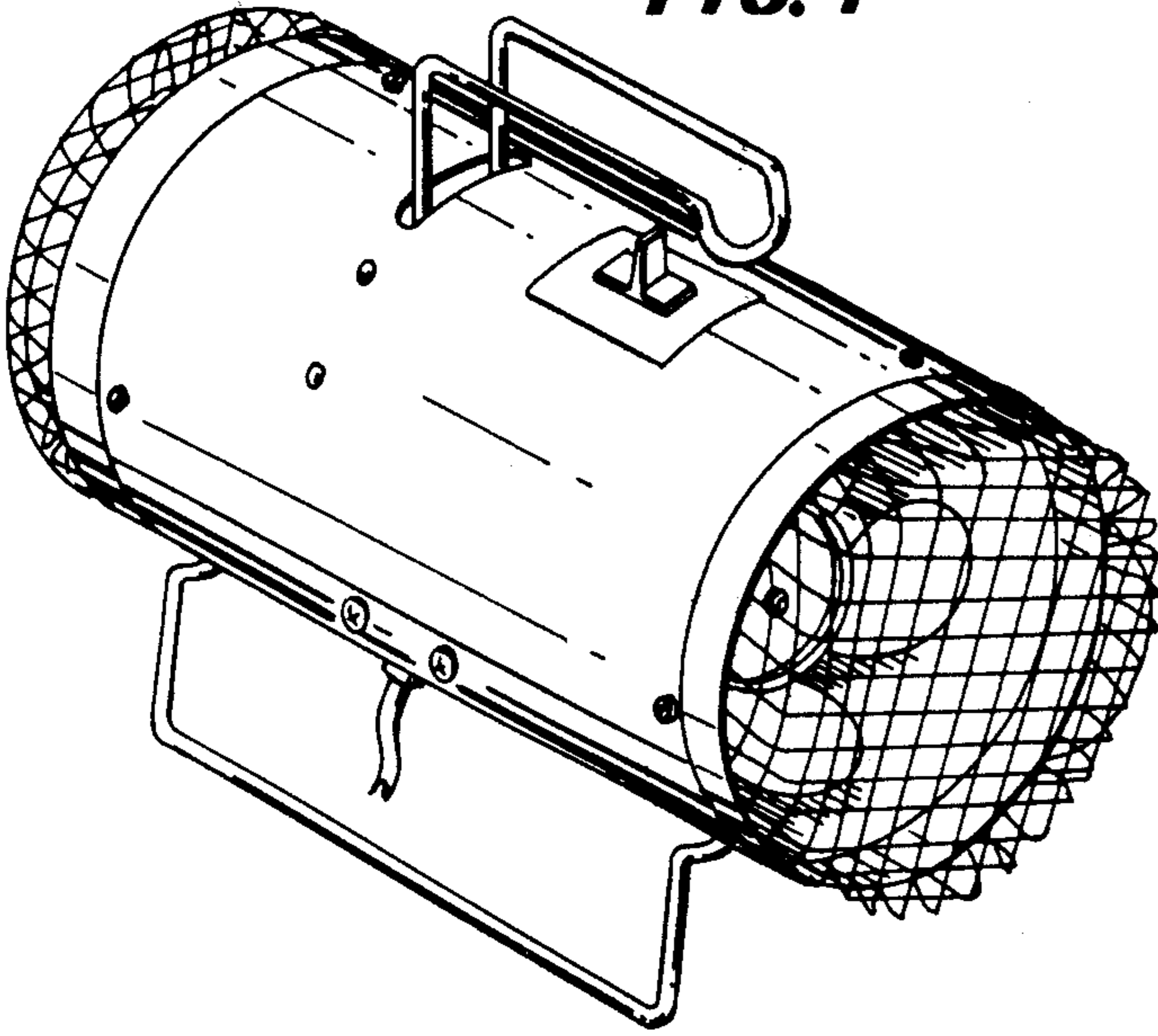


FIG. 3

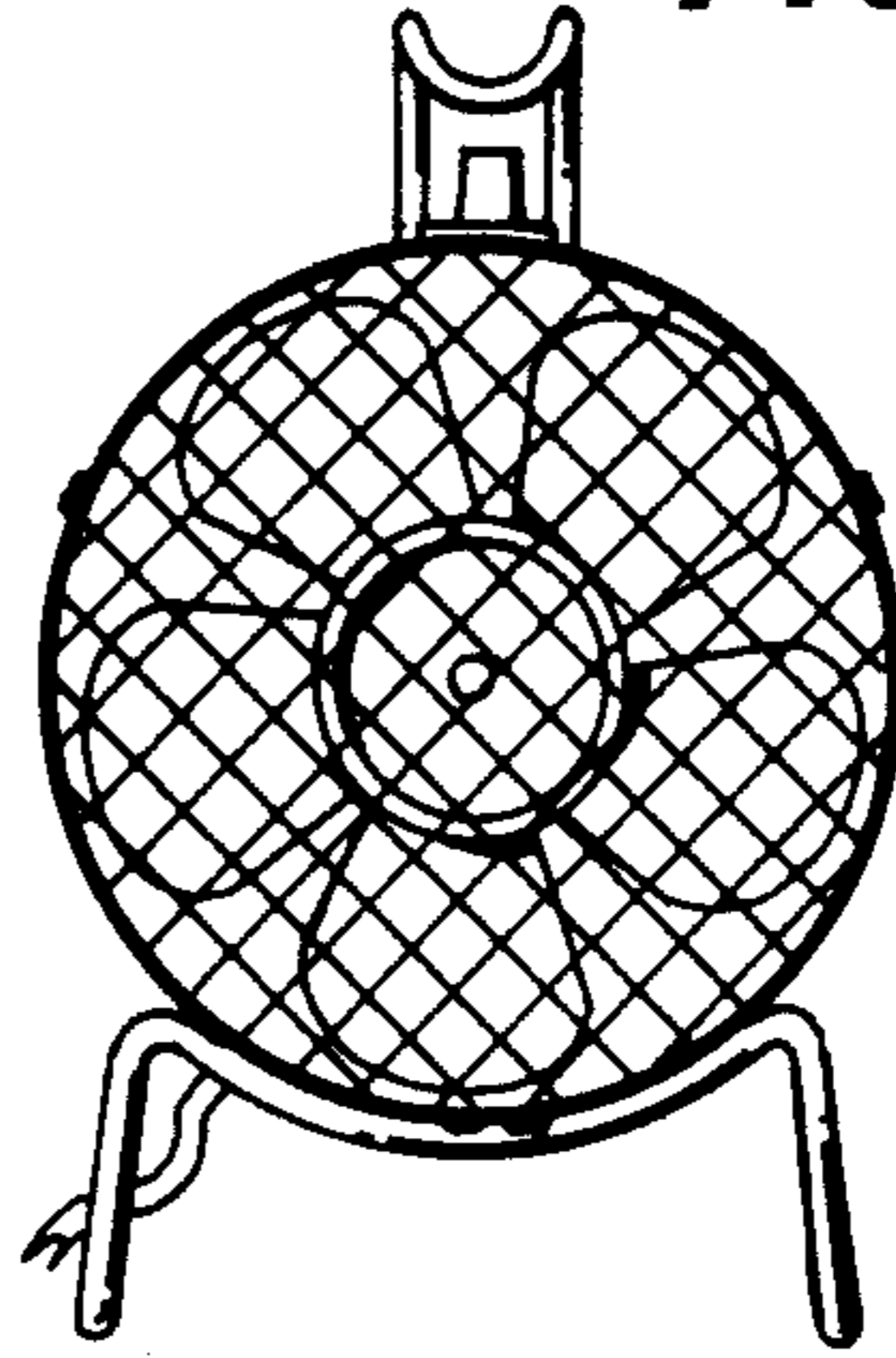


FIG. 4

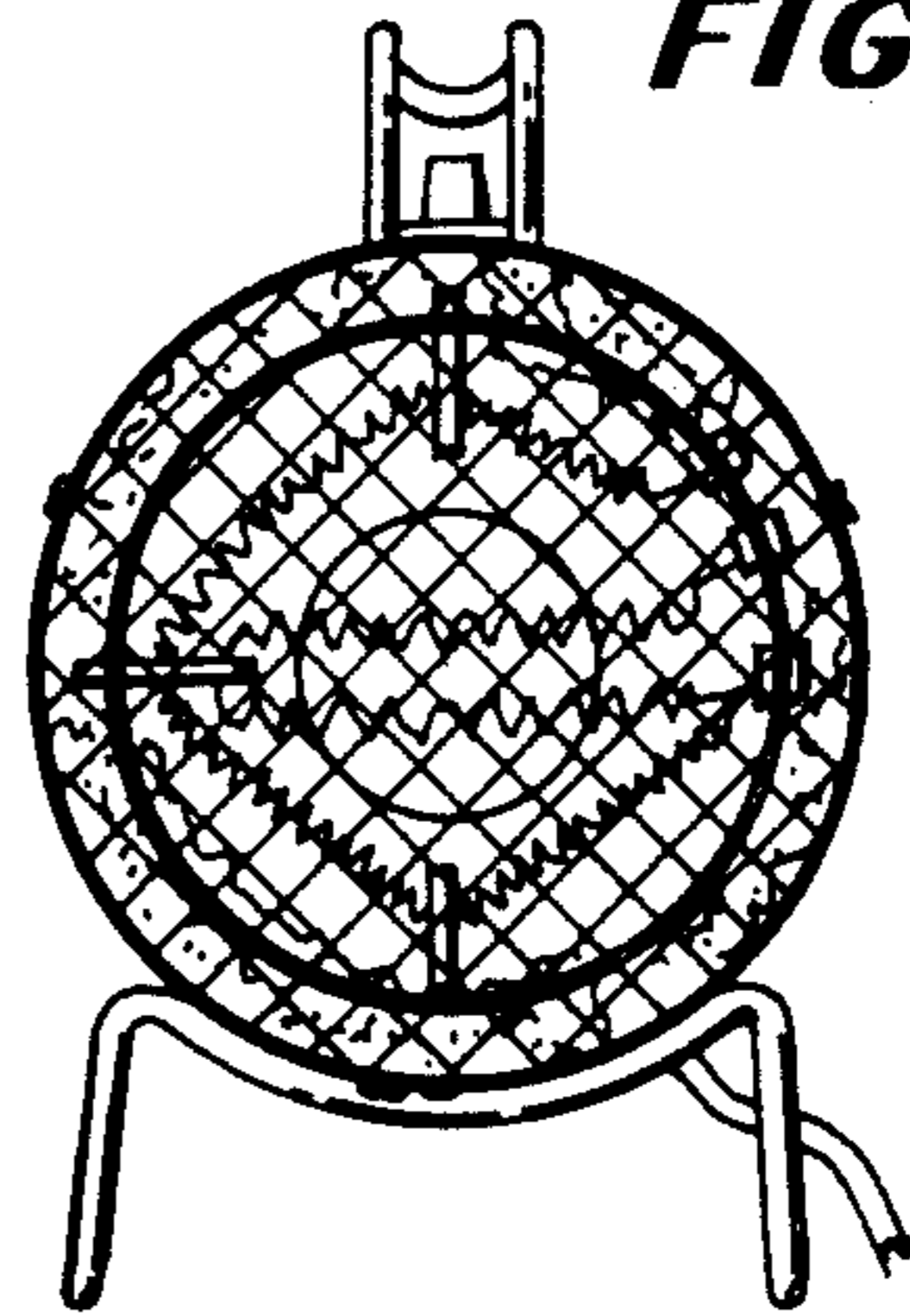


FIG. 2

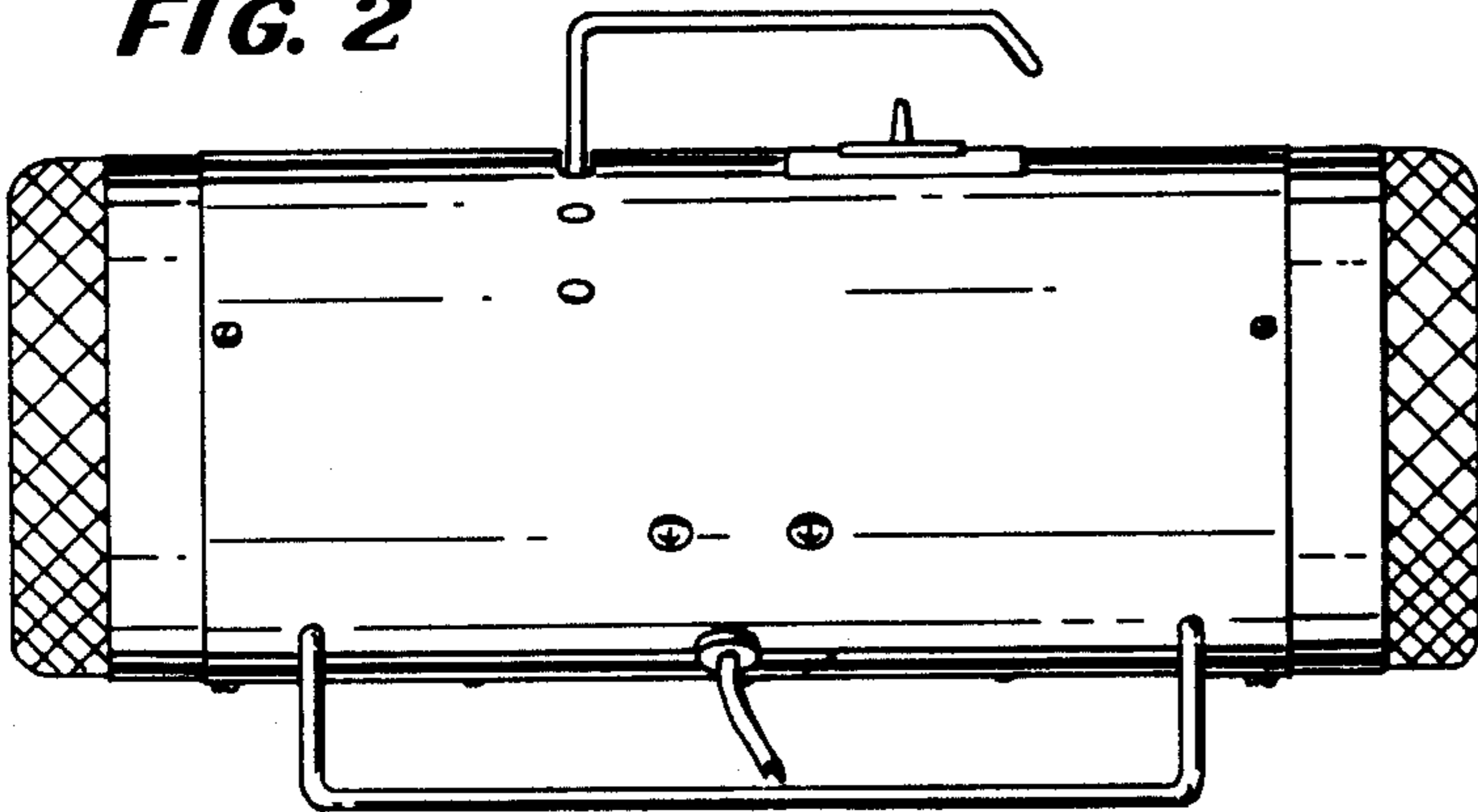


FIG. 6

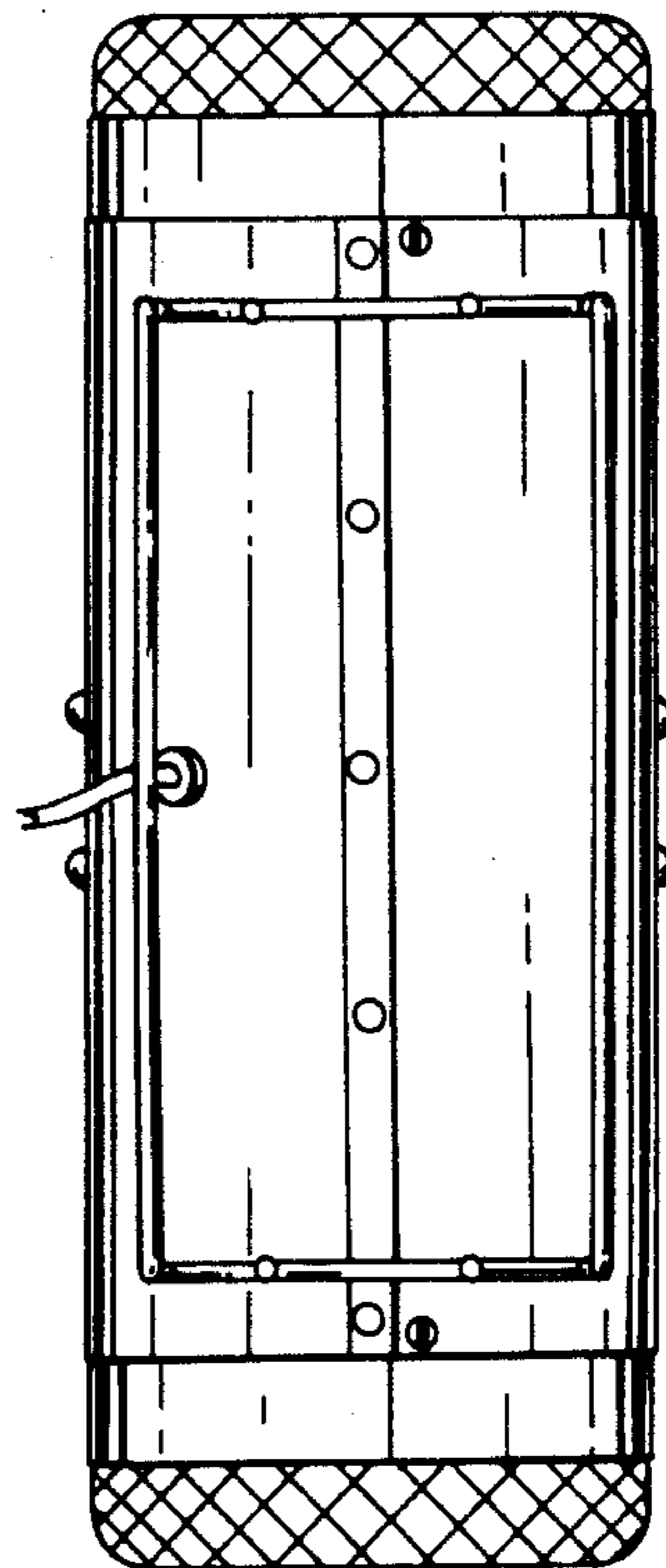


FIG. 5

