

[54] CHILD RECREATION CLIMBER STRUCTURE

[75] Inventor: Frank W. Beller, Aurora, Ill.

[73] Assignee: Recreation Systems Co., North Aurora, Ill.

[**] Term: 14 Years

[21] Appl. No.: 940,959

[22] Filed: Sep. 11, 1978

[51] Int. Cl. D21-03

[52] U.S. Cl. D21/245

[58] Field of Search D21/245, 244, 243; 272/113

[56] References Cited

U.S. PATENT DOCUMENTS

D. 176,999 3/1956 Ahrens D21/245
D. 250,724 1/1979 Dieter D21/245

OTHER PUBLICATIONS

Jamison Equipment for Fun & Fitness, p. 12, bottom, "Corral".

Primary Examiner—Melvin B. Feifer

Attorney, Agent, or Firm—Howard H. Darbo

[57] CLAIM

The ornamental design for a child recreation climber structure, as shown and described.

DESCRIPTION

FIG. 1 is a perspective view of the child recreation climber structure showing my new design; FIG. 2 is a rear elevational view thereof; FIG. 3 is a right side elevational view thereof, the left side being substantially a mirror image thereof, and FIG. 4 is a top plan view.

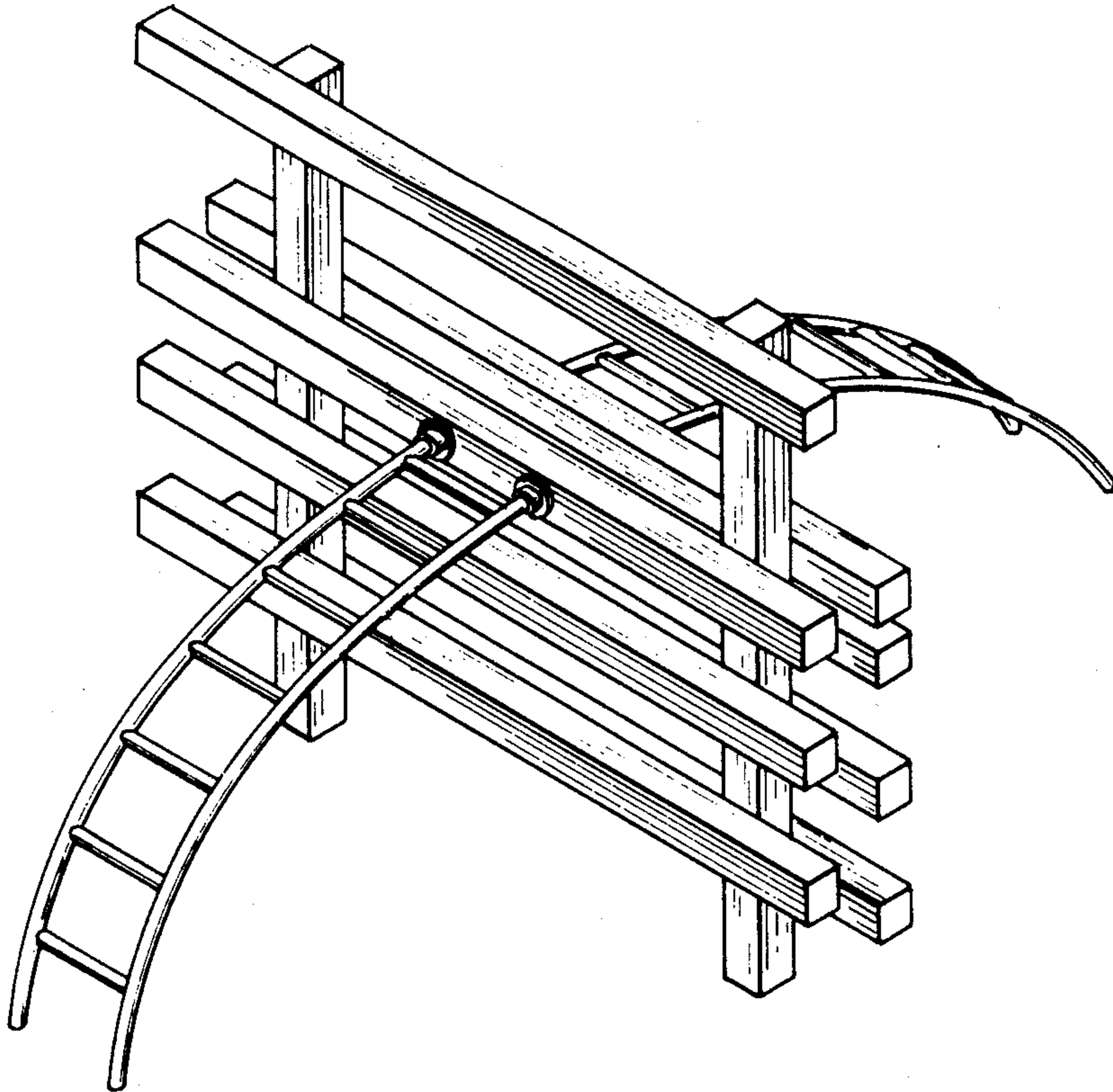


Fig. 1.

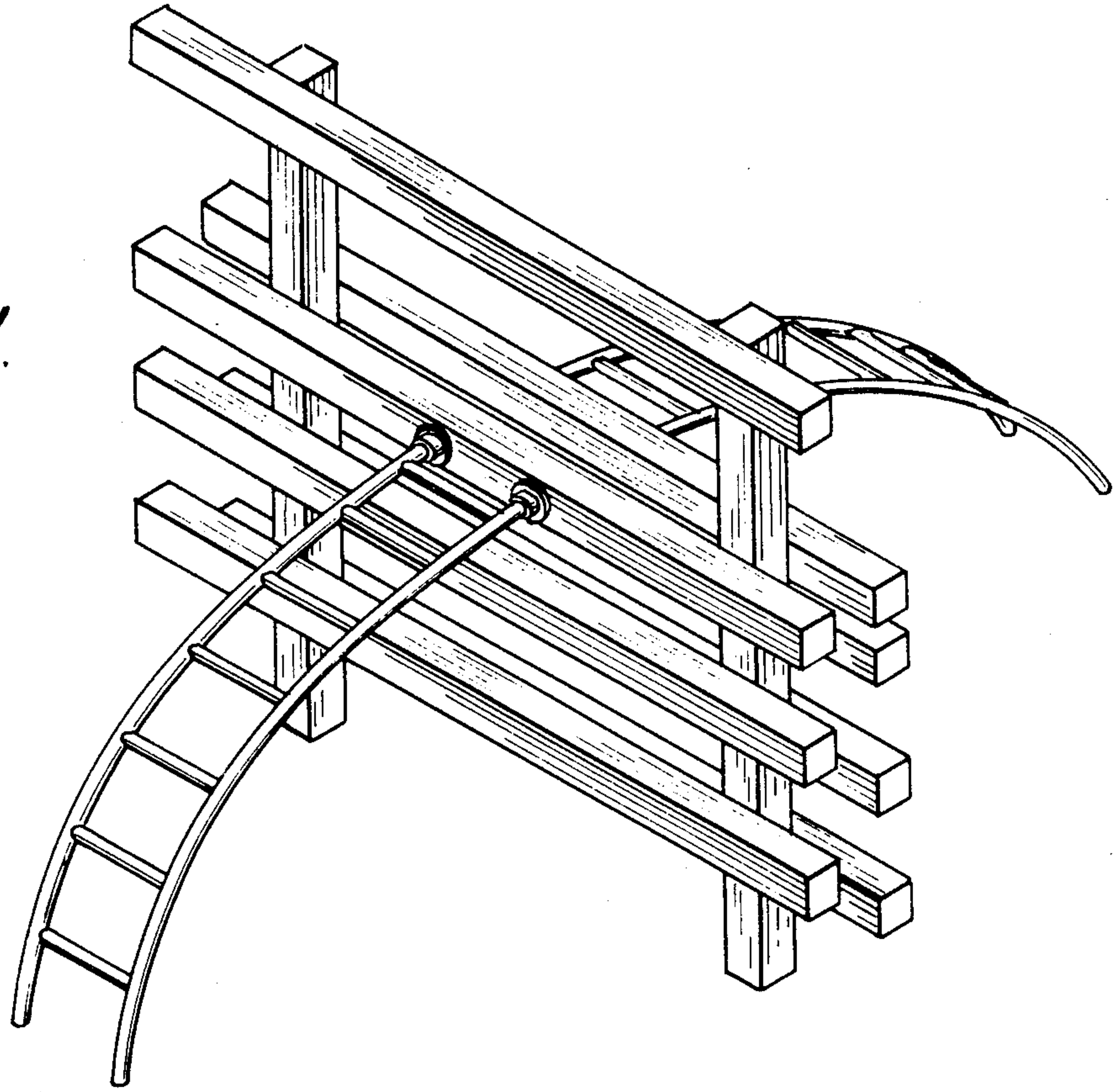


Fig. 2.

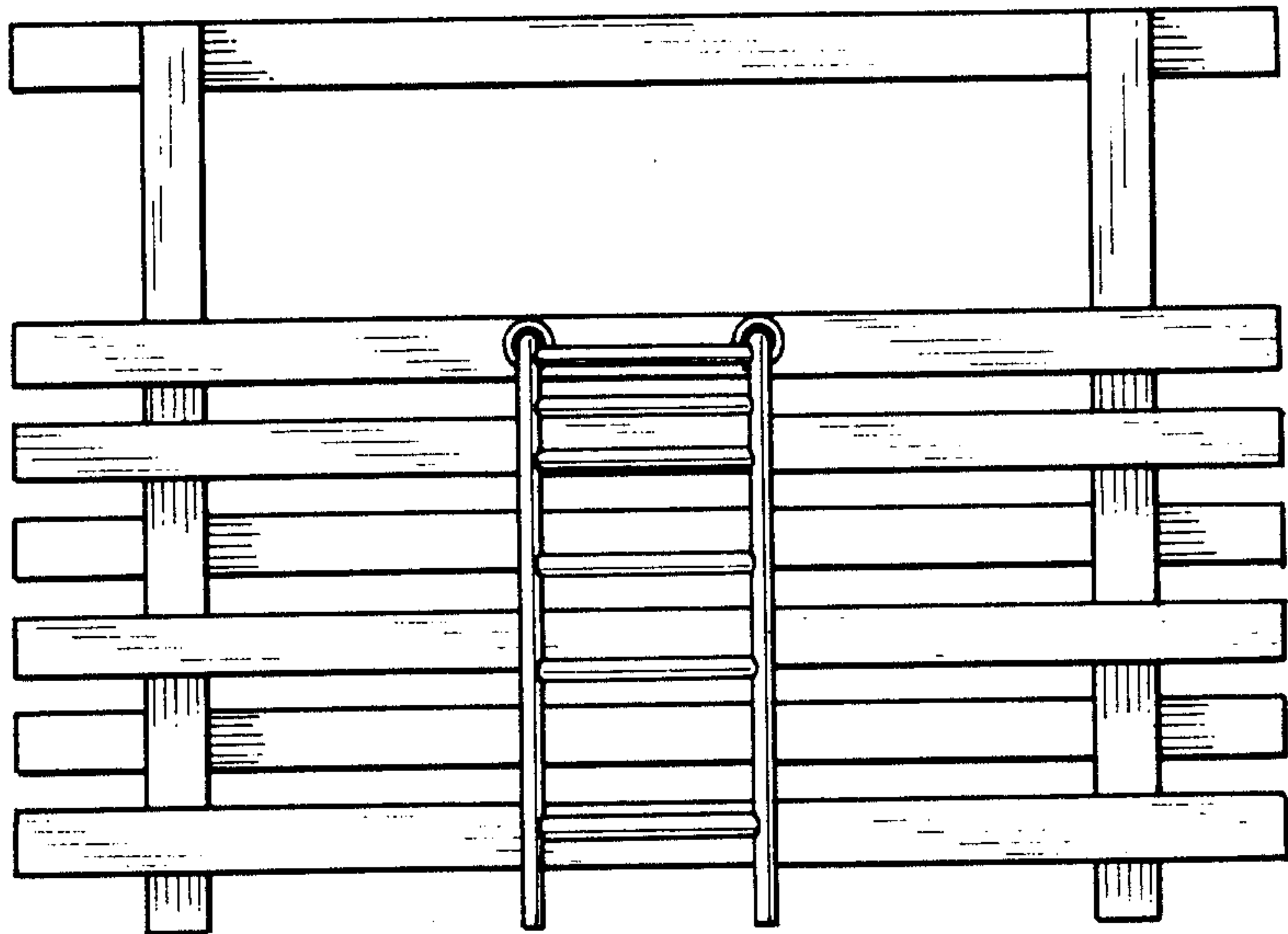


Fig. 3.

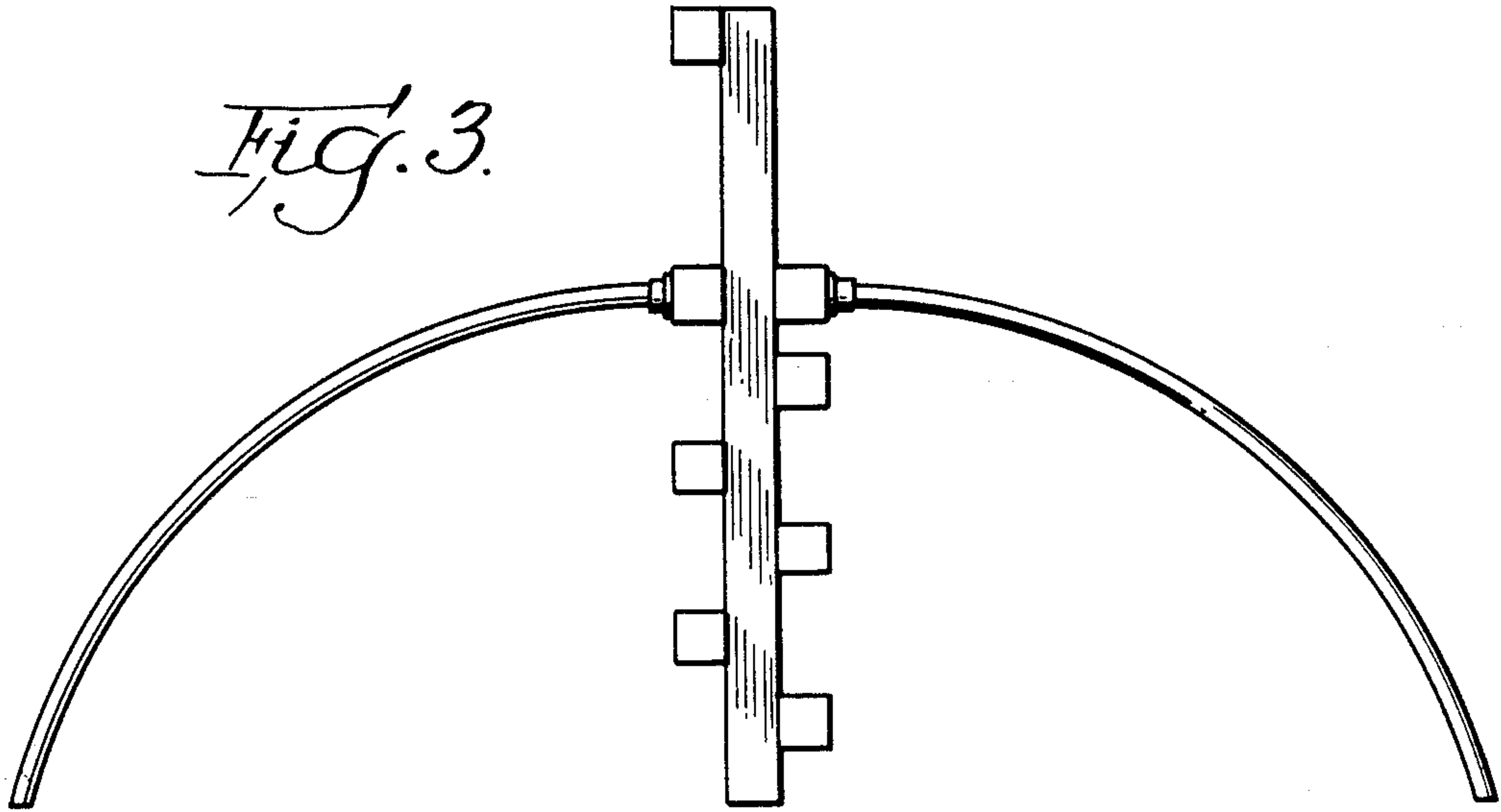


Fig. 4.

