

[54] COMBINED POOL CUE CHALKER AND DRESSER

[76] Inventors: Carl L. DiLuzio, 48 Hampden St., Indian Orchard, Mass. 01151; Louis A. Graveline, 1 Meadow St., Ludlow, Mass. 01056

[**] Term: 14 Years

[21] Appl. No.: 963,168

[22] Filed: Nov. 22, 1978

[51] Int. Cl. D21-01

[52] U.S. Cl. D21/232

[58] Field of Search D21/232; 273/17, 18, 273/19, 20, 21

[56] References Cited

U.S. PATENT DOCUMENTS

4,442	4/1885	Beresford	273/18
10,925	8/1884	Beresford	273/21

636,199 10/1899 Davies 273/17

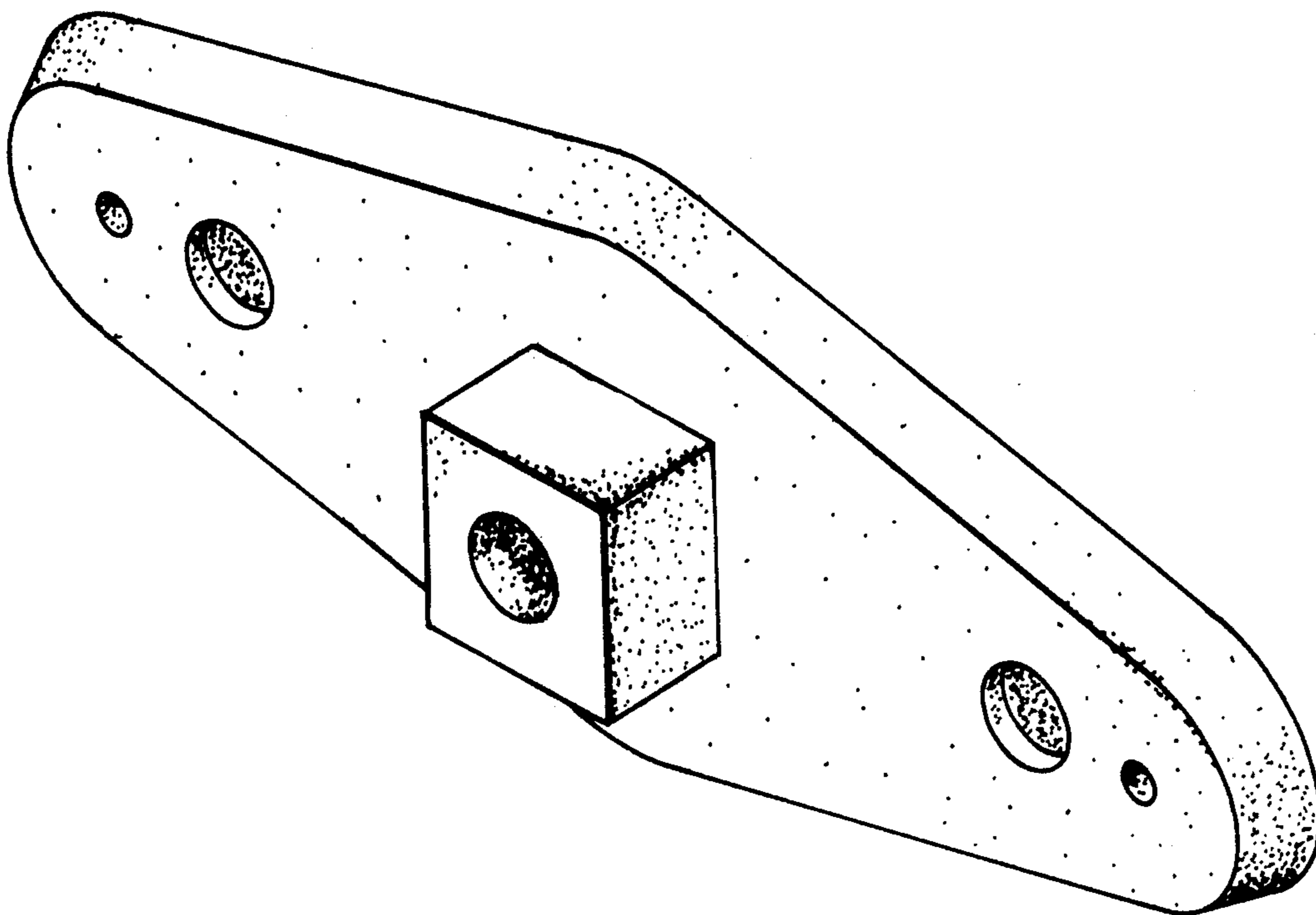
Primary Examiner—Melvin B. Feifer
Attorney, Agent, or Firm—Alonzo L. Neal

[57] CLAIM

The ornamental design for combined pool cue chalker and dresser, as shown and described.

DESCRIPTION

FIG. 1 is an upper right front perspective view of the design for a combined pool cue chalker and dresser; FIG. 2 is a rear elevated view thereof; FIG. 3 is a side elevated view thereof; FIG. 4 is an upper left front perspective view of a first alternate embodiment of the design for a combined pool cue chalker and dresser; FIG. 5 is an upper right front perspective view of a second alternate embodiment of the design for a combined pool cue chalker and dresser; and FIG. 6 is an upper left front perspective view of a third alternate embodiment of the design for a combined pool cue chalker and dresser.



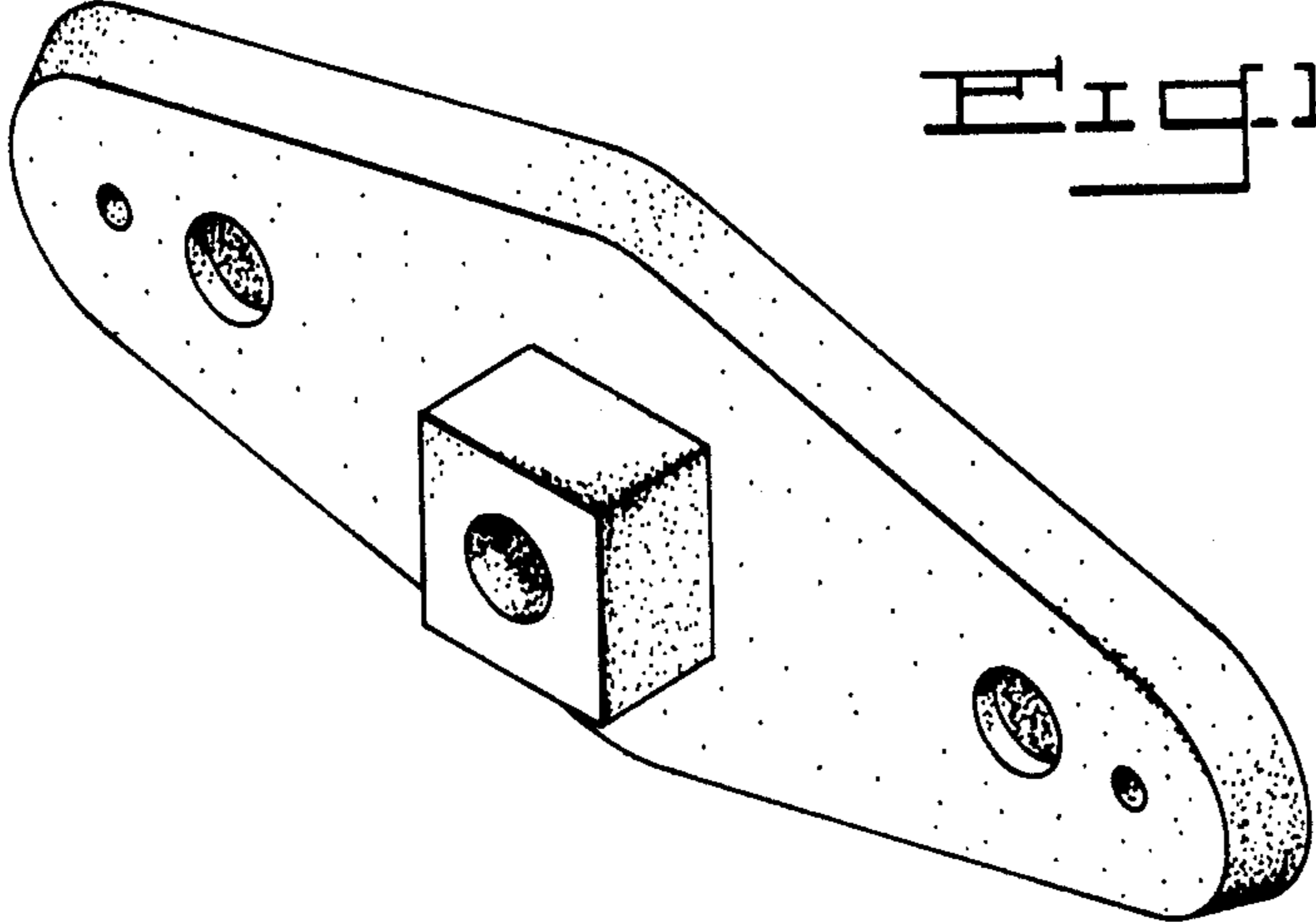


Fig. 1.

Fig. 2.

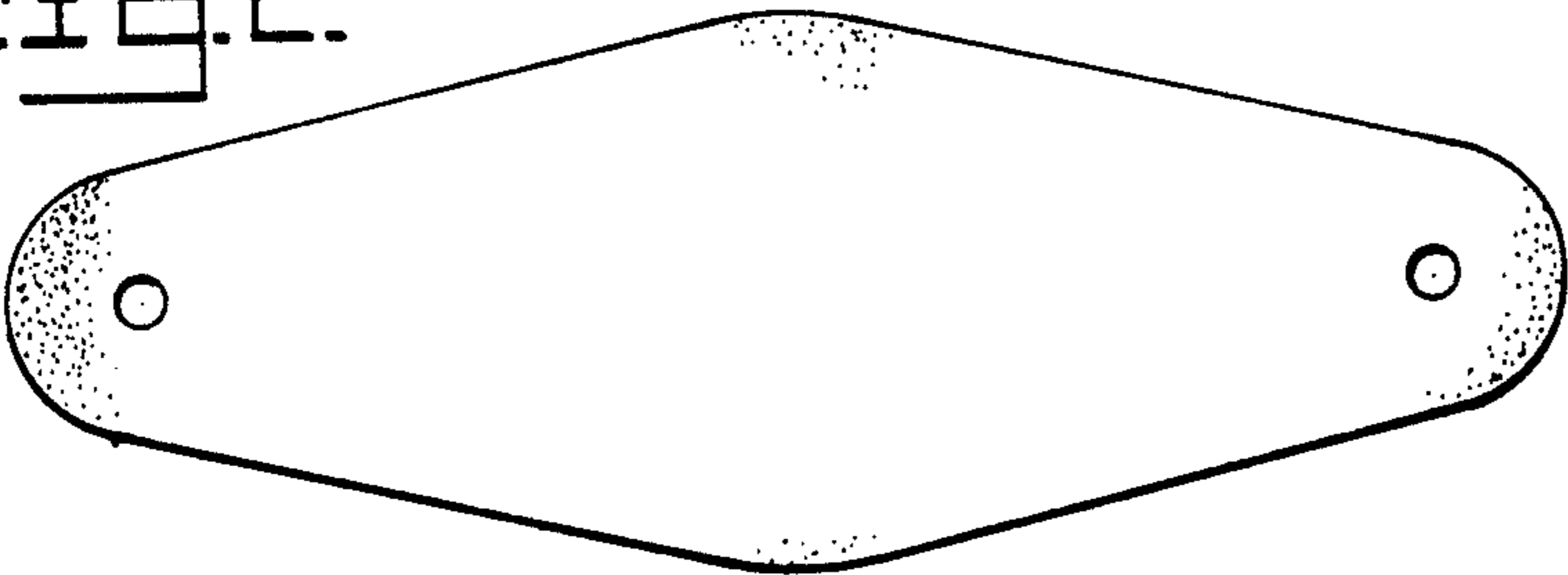


Fig. 3.



Fig. 4.

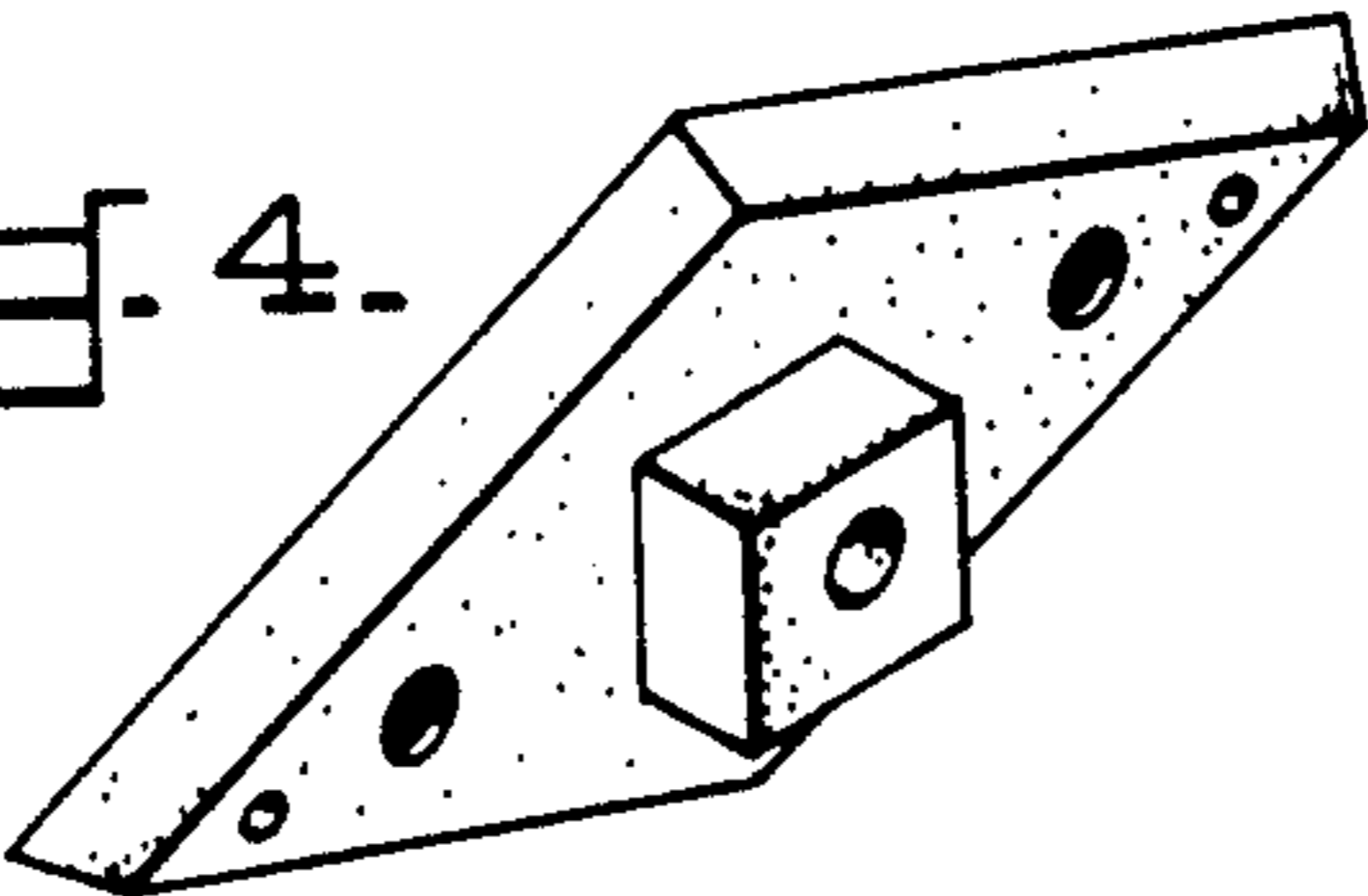


Fig. 5.

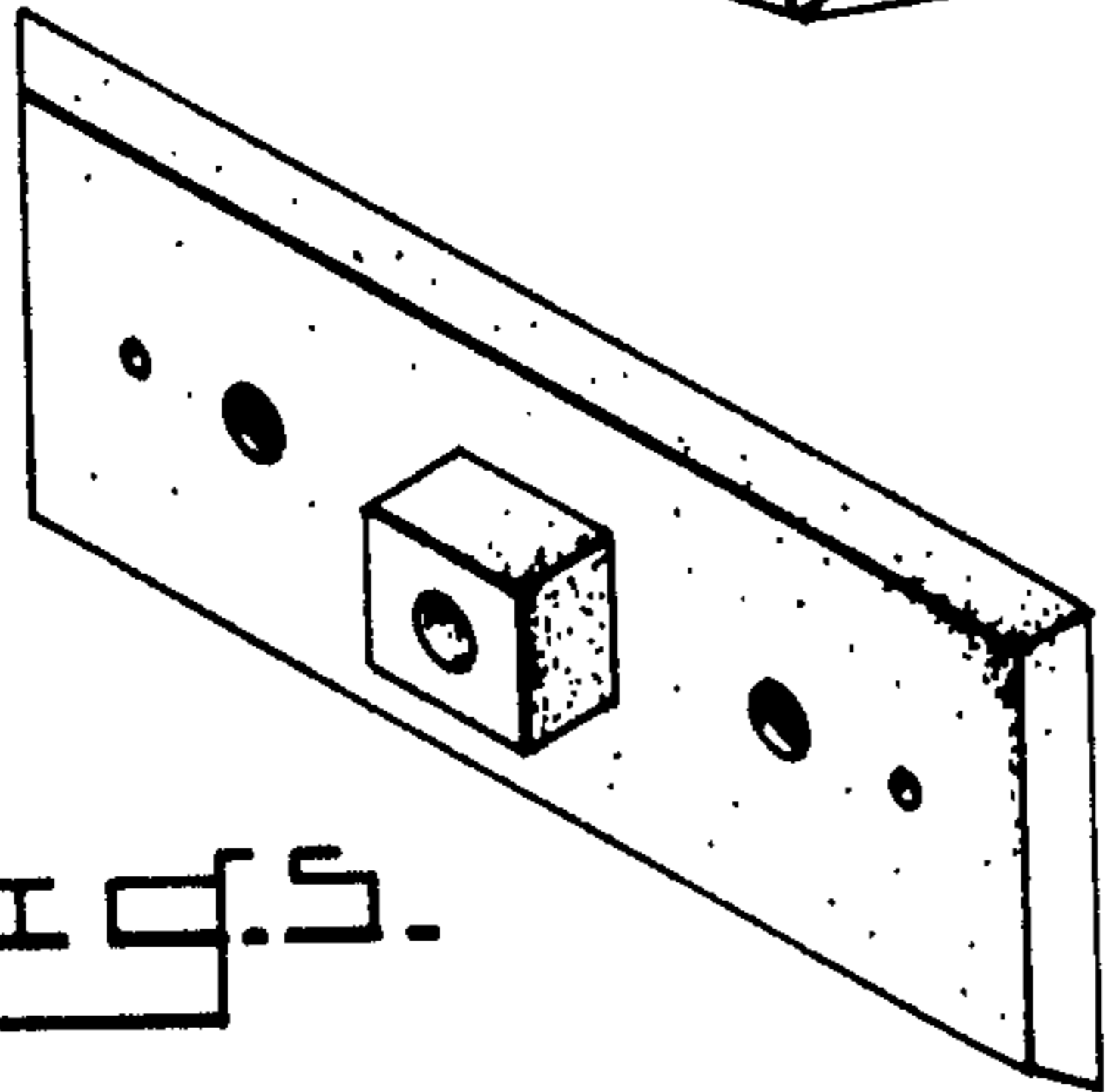


Fig. 6.

