

[54] GOLF CLUB HEAD

[76] Inventor: Karsten Solheim, 501 W. Wakonda La., Phoenix, Ariz. 85023

[\*\*] Term: 14 Years

[21] Appl. No.: 920,223

[22] Filed: Jun. 28, 1978

[51] Int. Cl. .... D21-02

[52] U.S. Cl. .... D21/220

[58] Field of Search ..... D21/214-220; 273/167-175

[56] References Cited

U.S. PATENT DOCUMENTS

D. 240,841 8/1976 Solheim ..... D21/220

OTHER PUBLICATIONS

Golf Digest, Jan. 1976, p. 82, Royal Perimeter Cavity, Iron.

Primary Examiner—Melvin B. Feifer

[57] CLAIM

The ornamental design for a golf club head, substantially as shown and described.

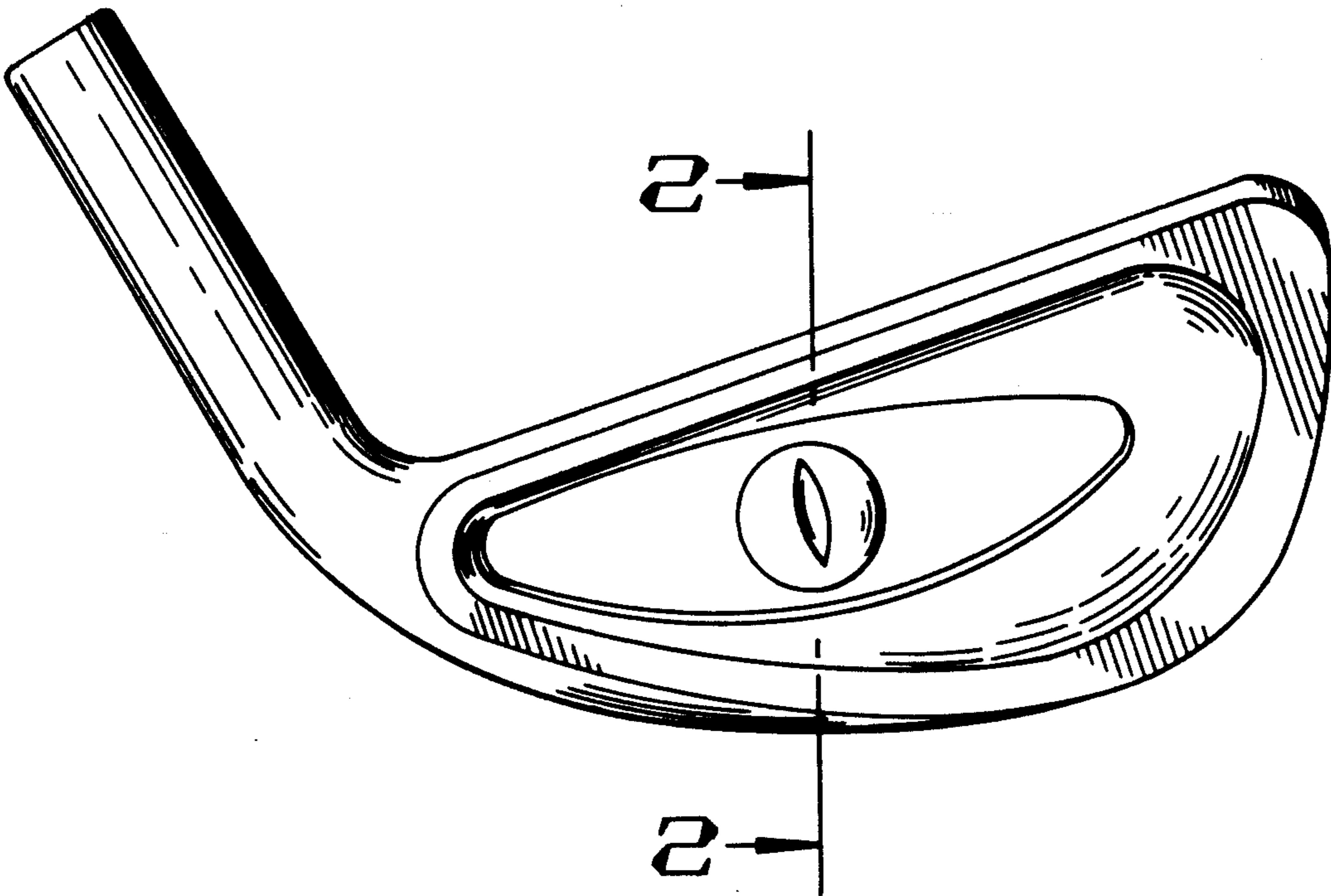
DESCRIPTION

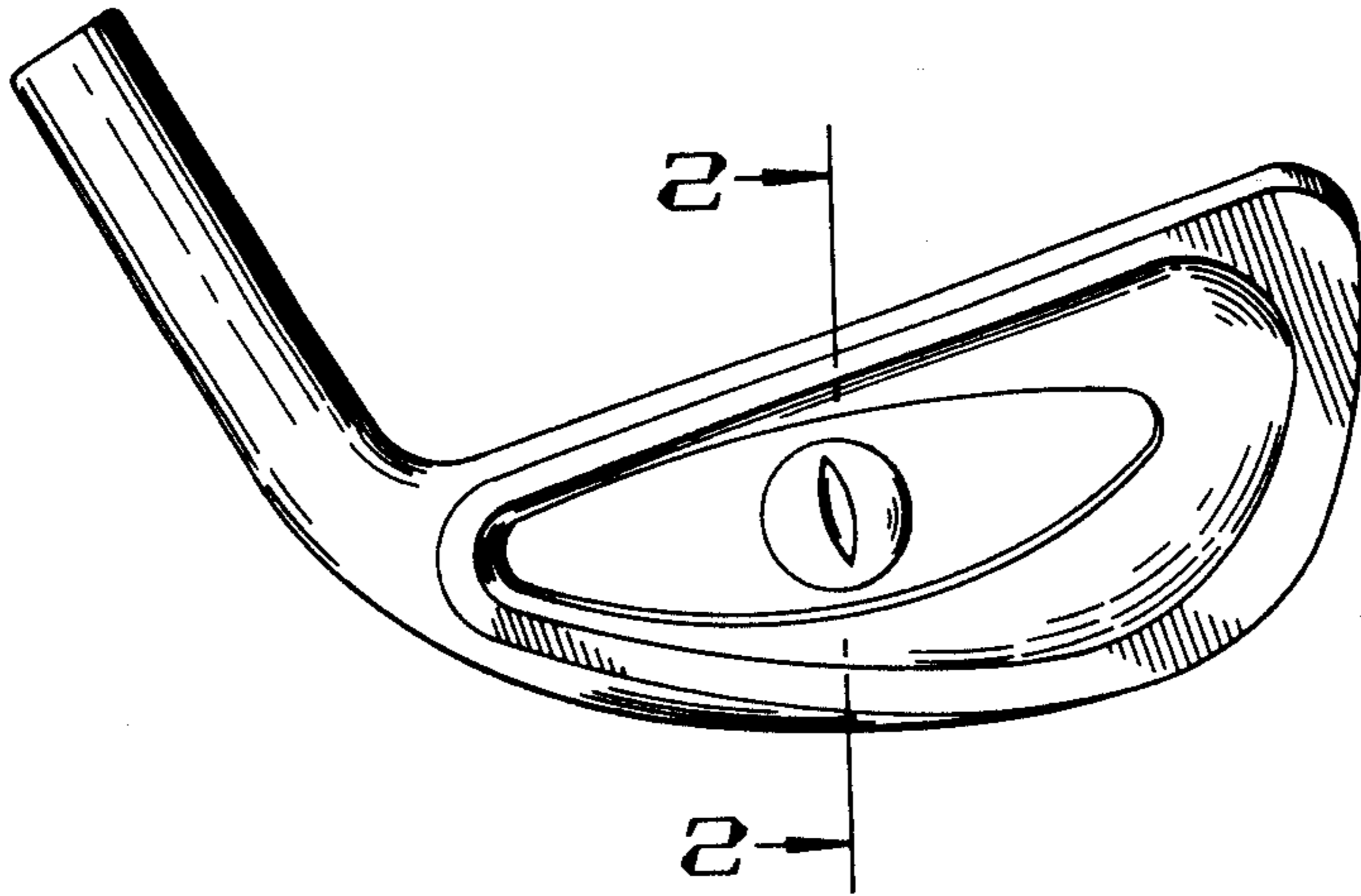
FIG. 1 is a rear elevation view of a golf club head embodying my new design;

FIG. 2 is a sectional view of a golf club head showing the contour of the cavity embodying new new design;

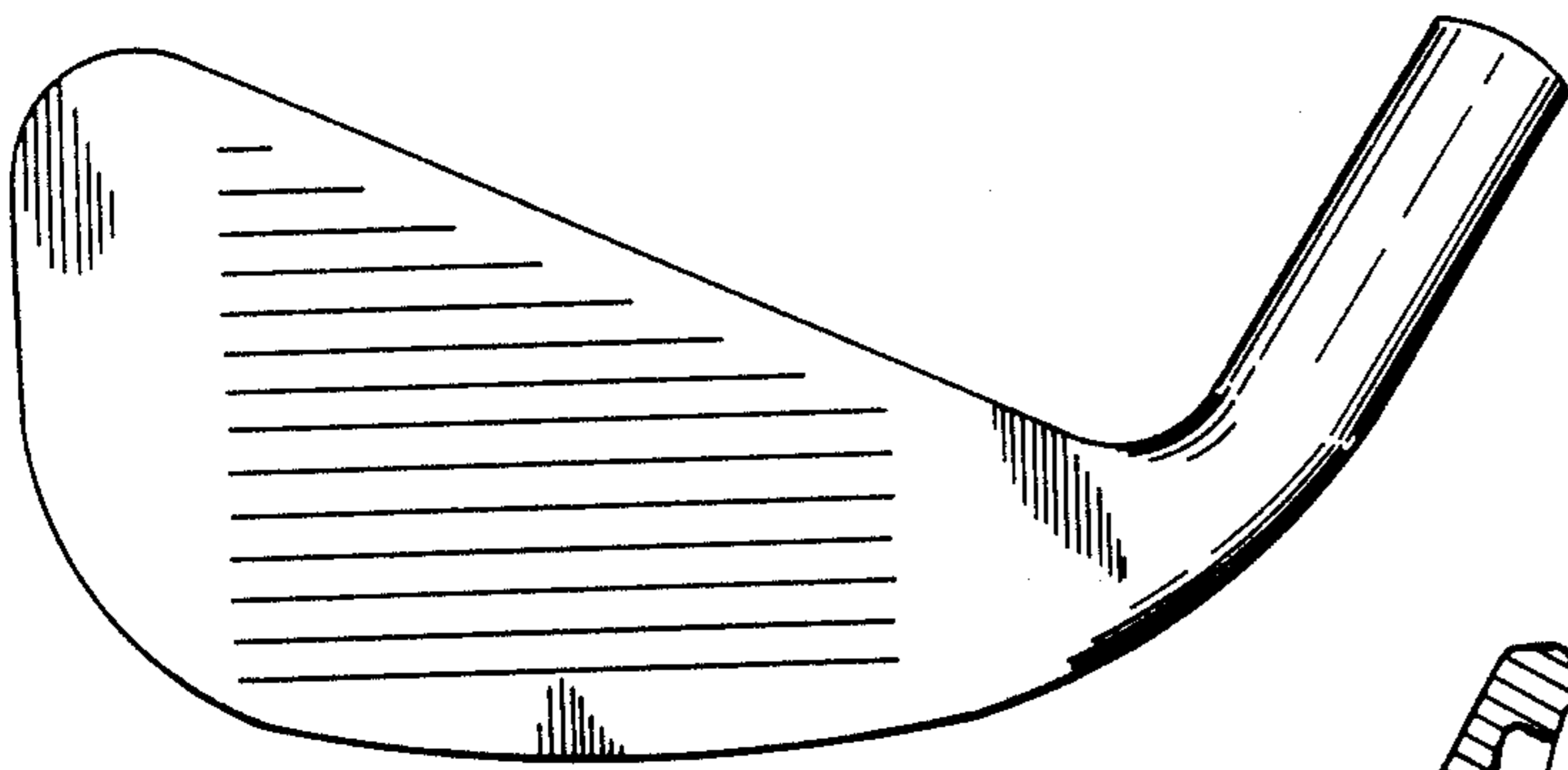
FIG. 3 is a front view of the golf club head;

FIG. 4 is an end fragmentary view of the toe in elevation of same.

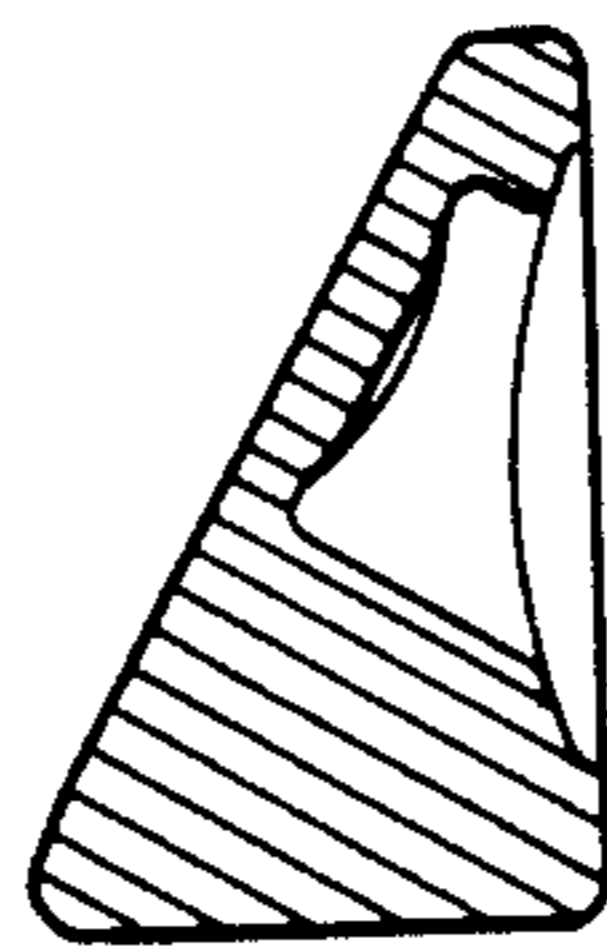




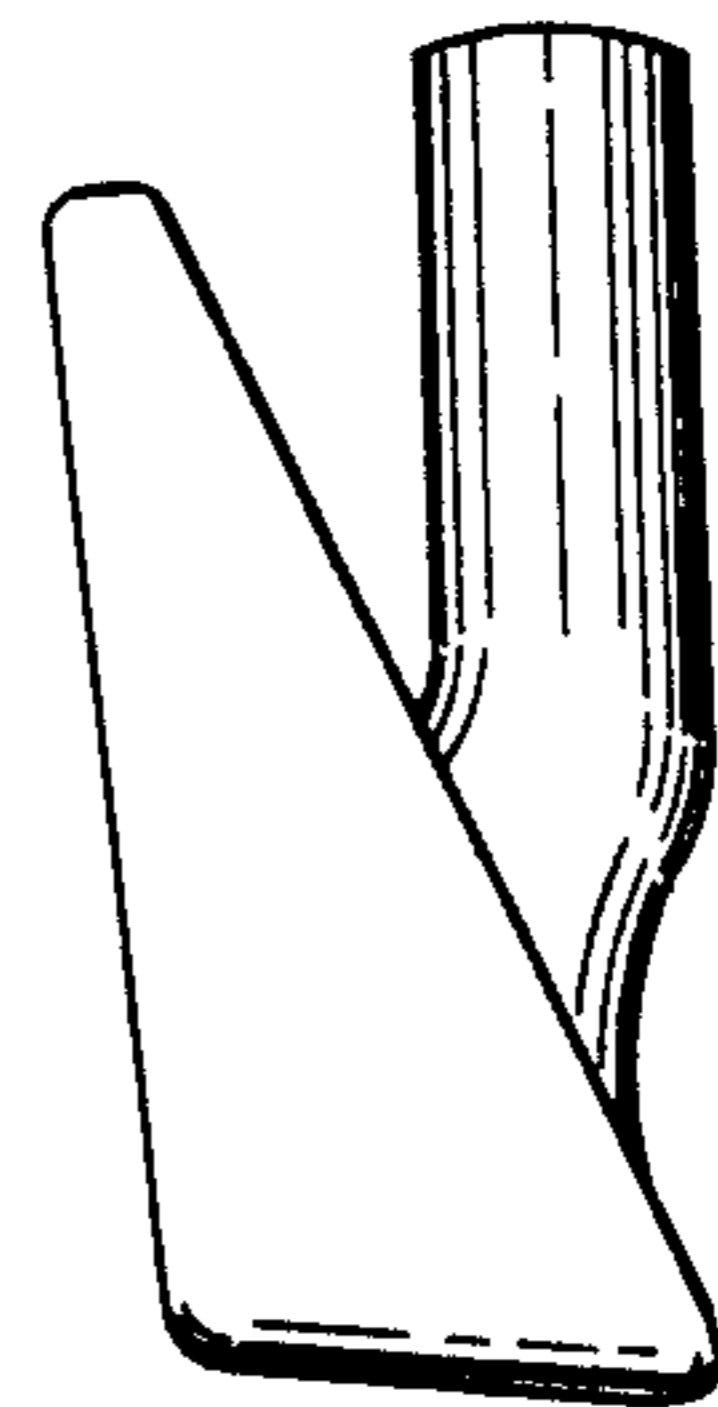
*FIG. 1*



*FIG. 3*



*FIG. 2*



*FIG. 4*