

[54] SKATEBOARD TRUCK

[75] Inventor: William H. Brawner, El Cajon, Calif.

[73] Assignee: H.P.G. IV, Inc., El Cajon, Calif.

[**] Term: 14 Years

[21] Appl. No.: 882,955

[22] Filed: Mar. 2, 1978

[51] Int. Cl. D21-02

[52] U.S. Cl. D21/227

[58] Field of Search D21/81, 227, 226, 230;
280/11.37 E, 11.1 R, 11.2, 87.04 R, 87.04 A,
11.19, 87.01, 11.27, 11.28

[56] References Cited

U.S. PATENT DOCUMENTS

3,945,655 3/1976 Banks et al. 280/87.04 A

OTHER PUBLICATIONS

Skateboarder Magazine, Oct. 1977, p. 136, ACS 650 Truck.

Skateboarder Magazine, Dec. 1977, p. 15, Lazer Trucks.

Primary Examiner—Charles A. Rademaker

Attorney, Agent, or Firm—Carl R. Brown

[57] CLAIM

The ornamental design for a skateboard truck, substantially as shown and described.

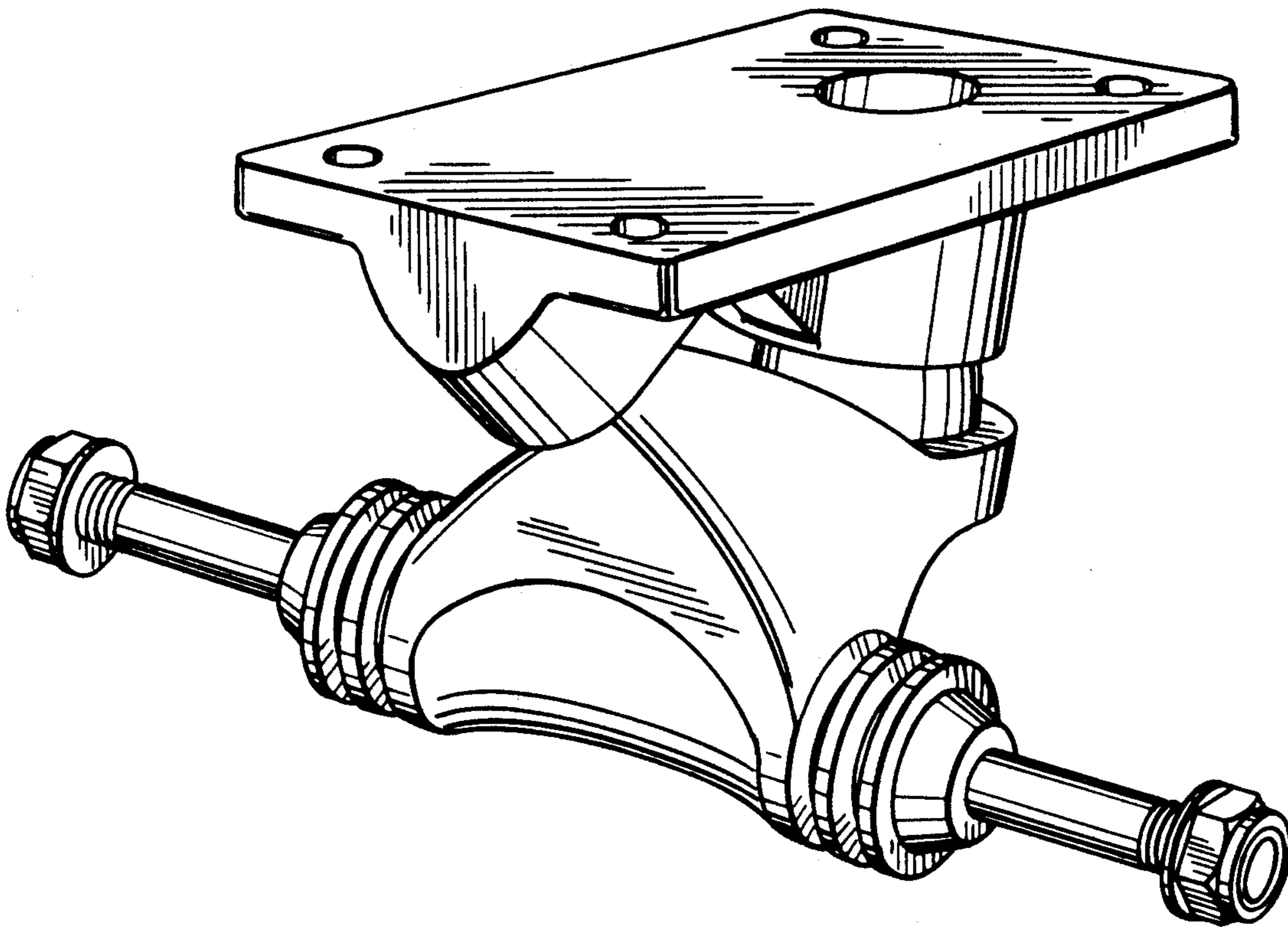
DESCRIPTION

FIG. 1 is a perspective view of a skateboard truck, showing my new design;

FIG. 2 is a bottom plan view thereof;

FIG. 3 is a side elevational view thereof; and

FIG. 4 is an end elevational view as taken from the left side of FIG. 3.



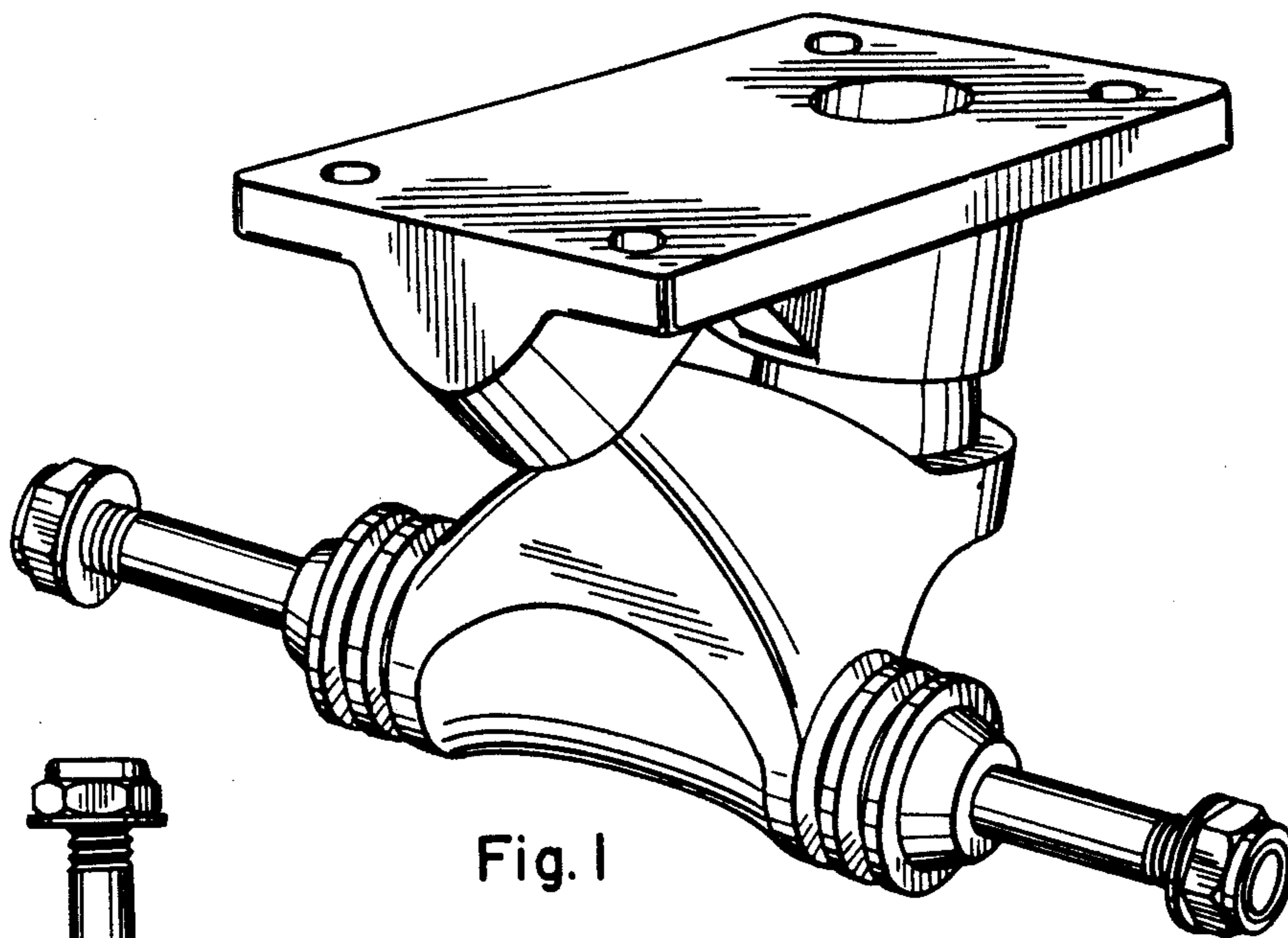


Fig. 1

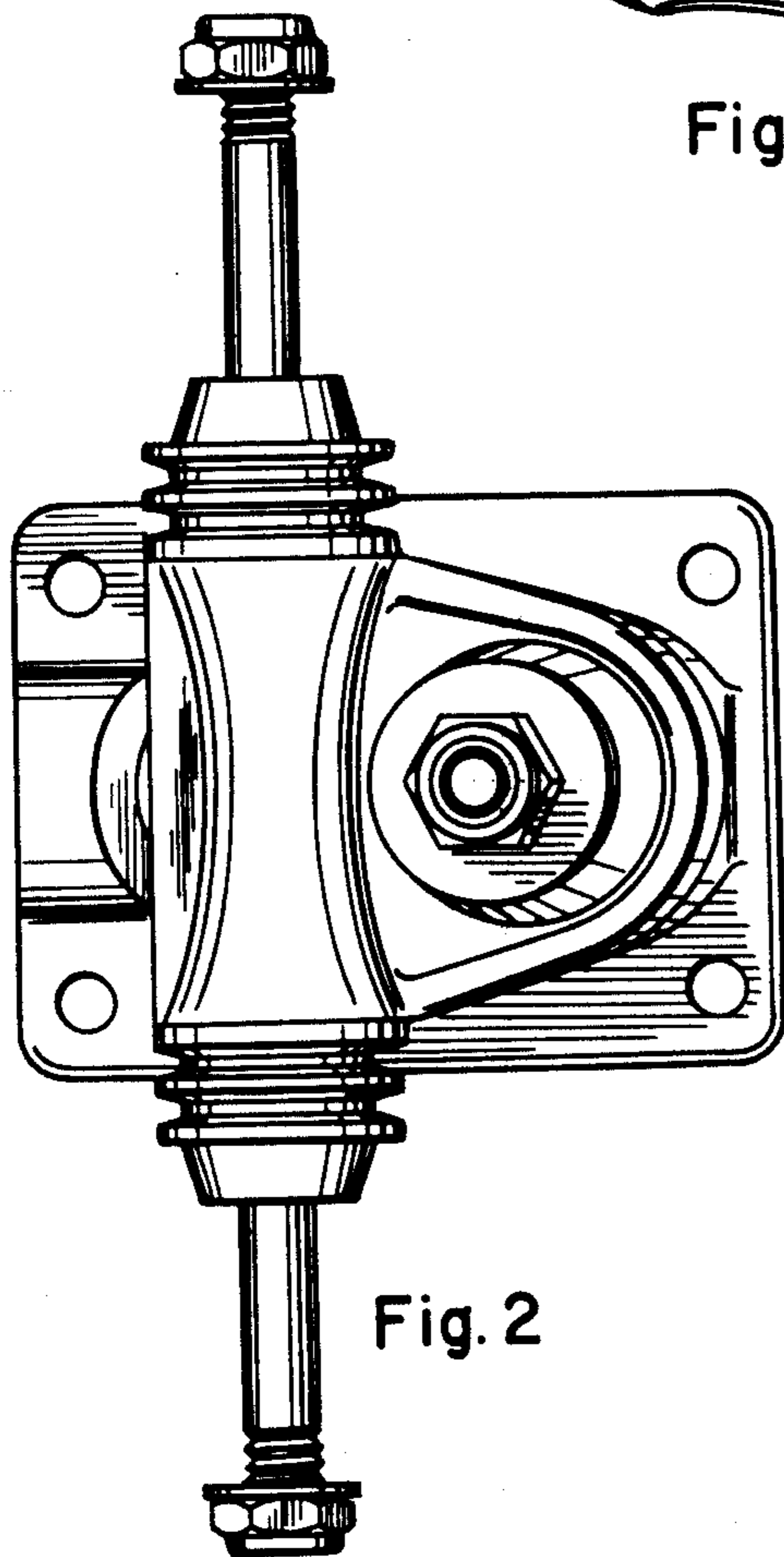


Fig. 2

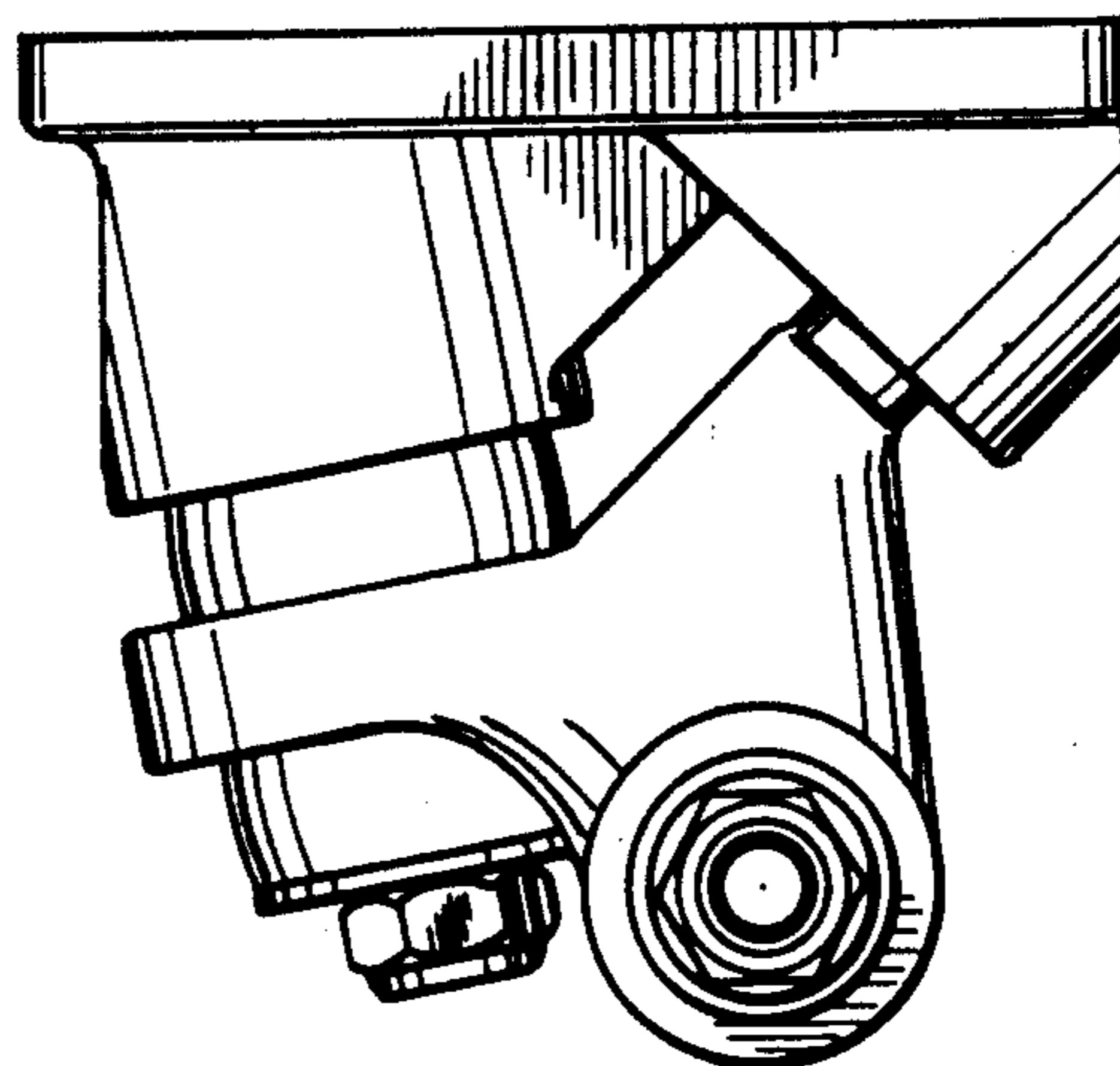


Fig. 3

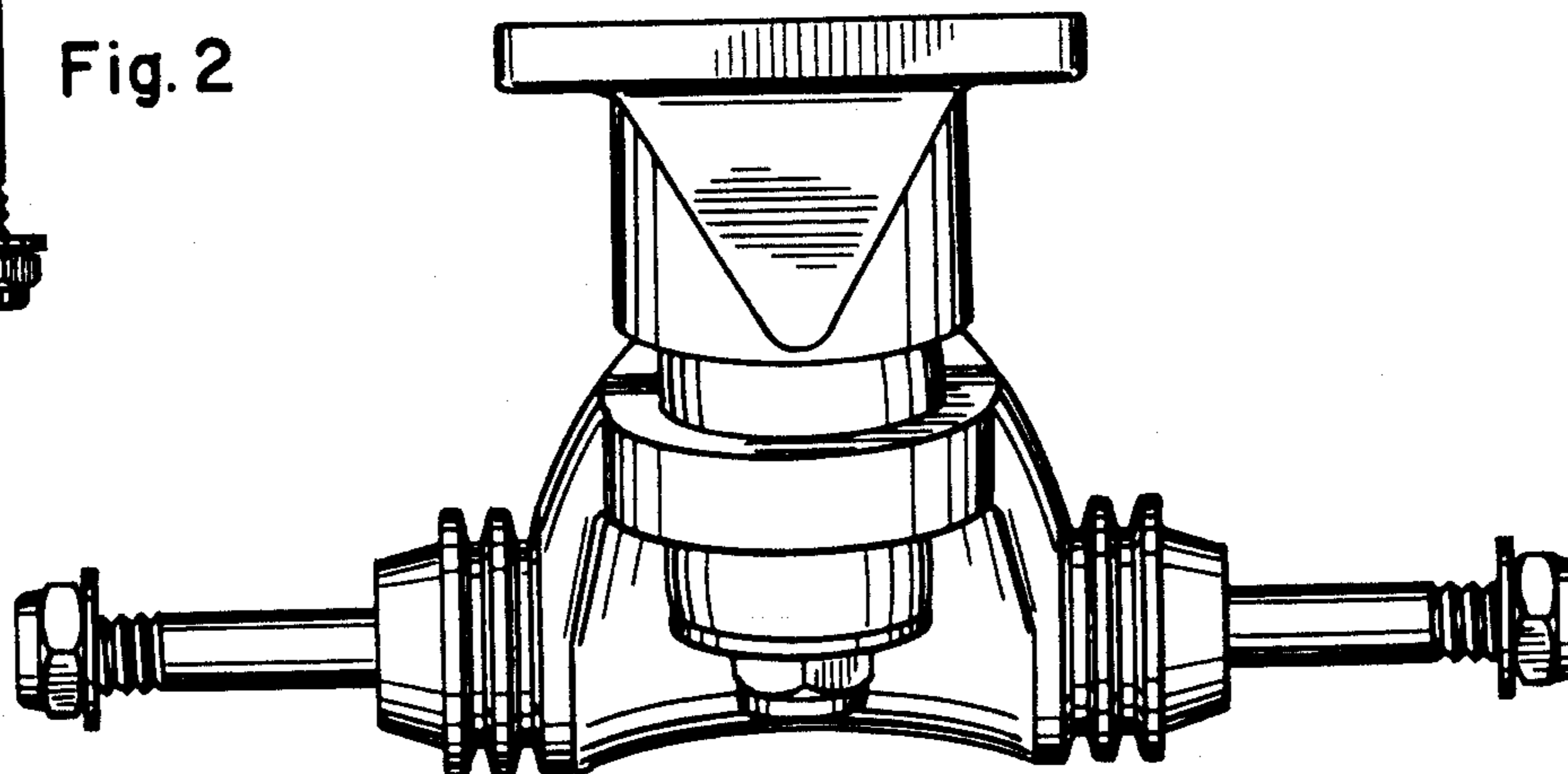


Fig. 4-