

[54] HOLDER FOR ELONGATED IMPLEMENTS

[76] Inventor: Paul Suljic, 20829 Roseton Ave., Lakewood, Calif. 90715

[**] Term: 14 Years

[21] Appl. No.: 956,930

[22] Filed: Nov. 3, 1978

Related U.S. Application Data

[63] Continuation of Ser. No. 832,275, Sep. 12, 1977, abandoned.

[51] Int. Cl. D19-02

[52] U.S. Cl. D19/83; D6/114; D19/78

[58] Field of Search D19/77, 78, 83, 93; D6/114, 115, 135; 211/69.4, 69.9

[56] References Cited

U.S. PATENT DOCUMENTS

D. 26,103	9/1896	Augustine	D19/83
D. 51,190	8/1917	Weeks	D19/83
D. 251,883	5/1979	Grulkowski	D6/114
455,505	7/1891	Brower	211/69.9

Primary Examiner—Joel Stearman
Assistant Examiner—George P. Word
Attorney, Agent, or Firm—Jack C. Munro

[57] CLAIM

The ornamental design for a holder for elongated implements, substantially as shown.

DESCRIPTION

FIG. 1 is a perspective view of a holder for elongated implements showing my new design; FIG. 2 is a front elevational view thereof; FIG. 3 is a side elevational view thereof; FIG. 4 is a rear elevational view thereof; FIG. 5 is a top plan view thereof; and FIG. 6 is a bottom plan view thereof.

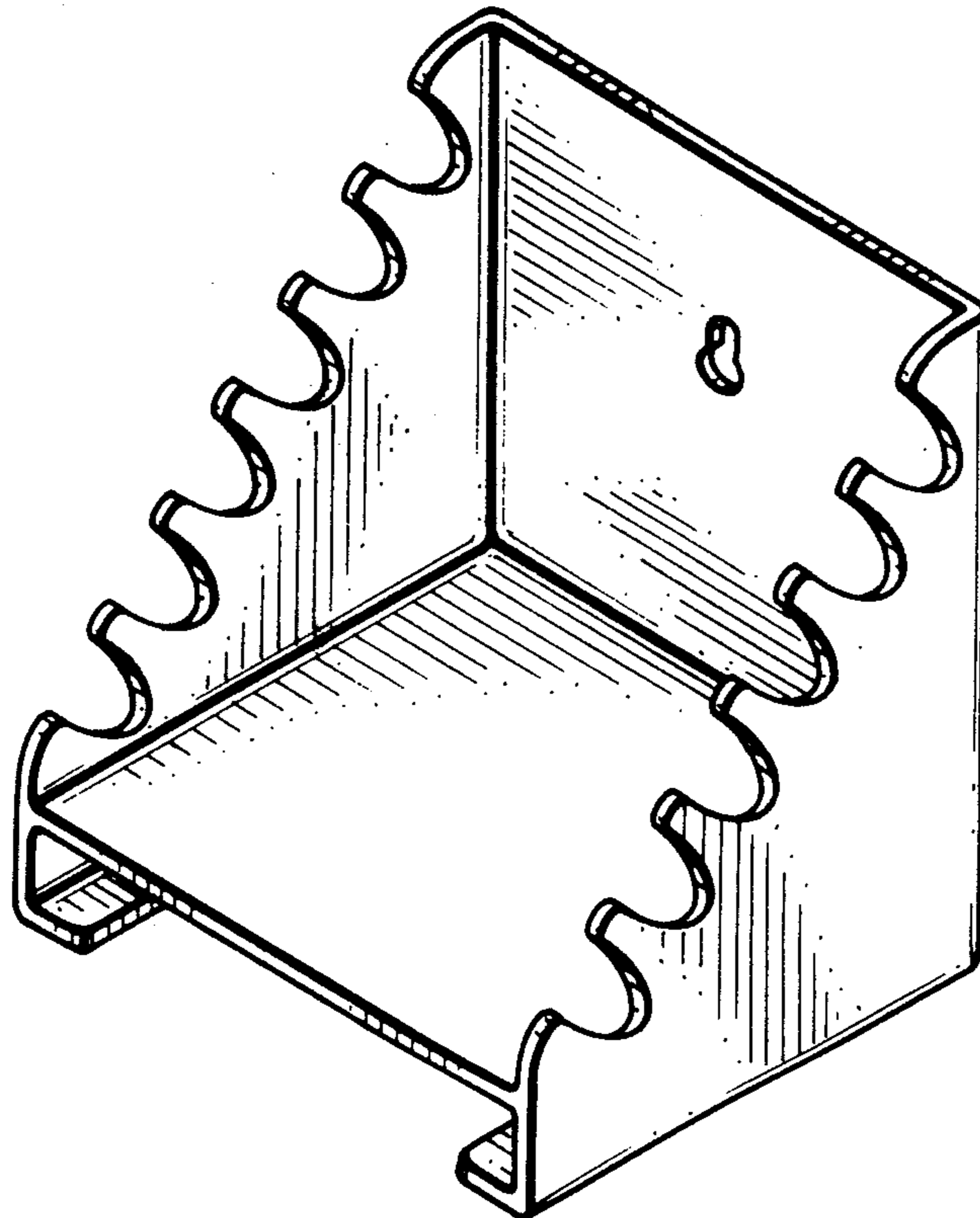


Fig. 1.

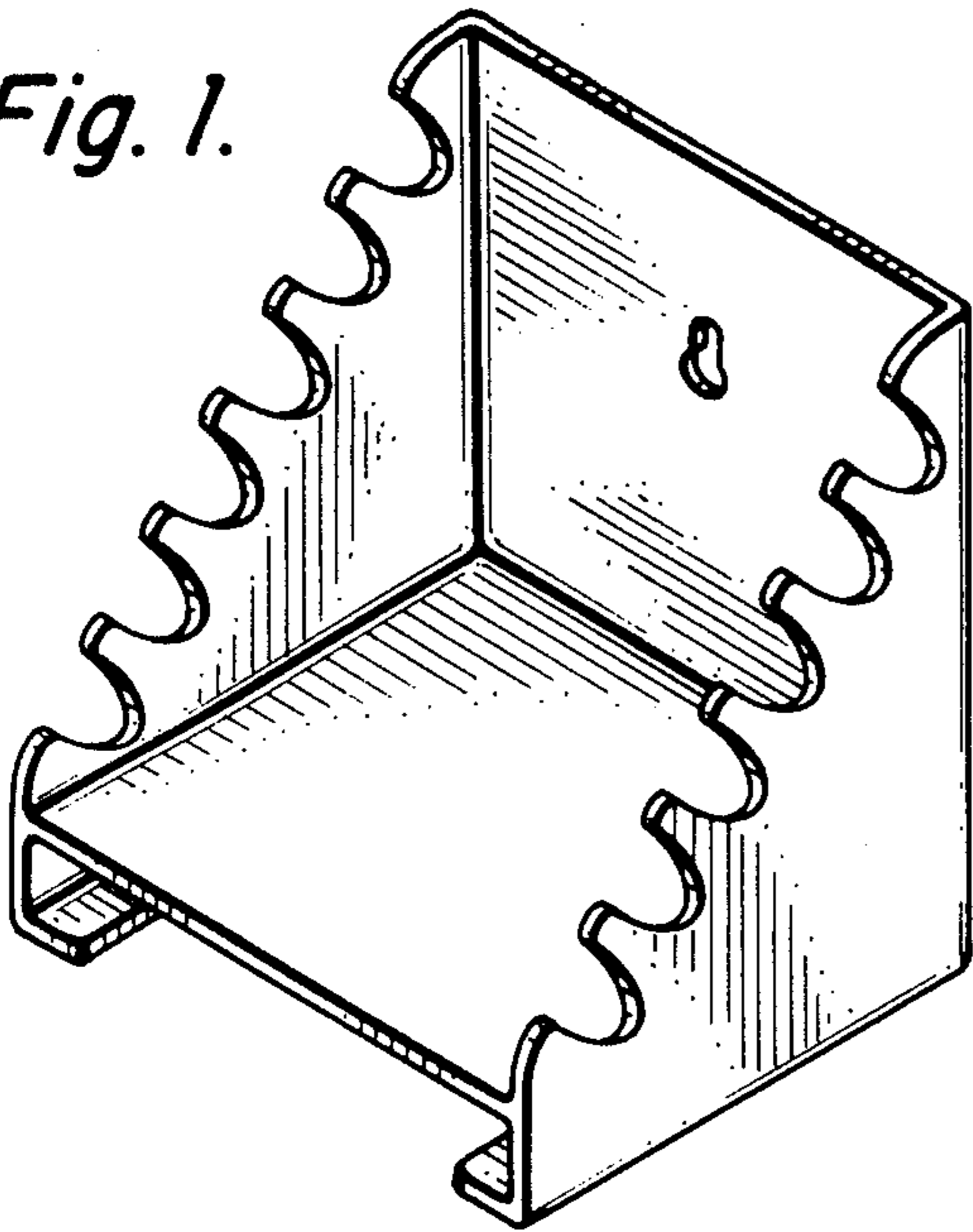


Fig. 2.

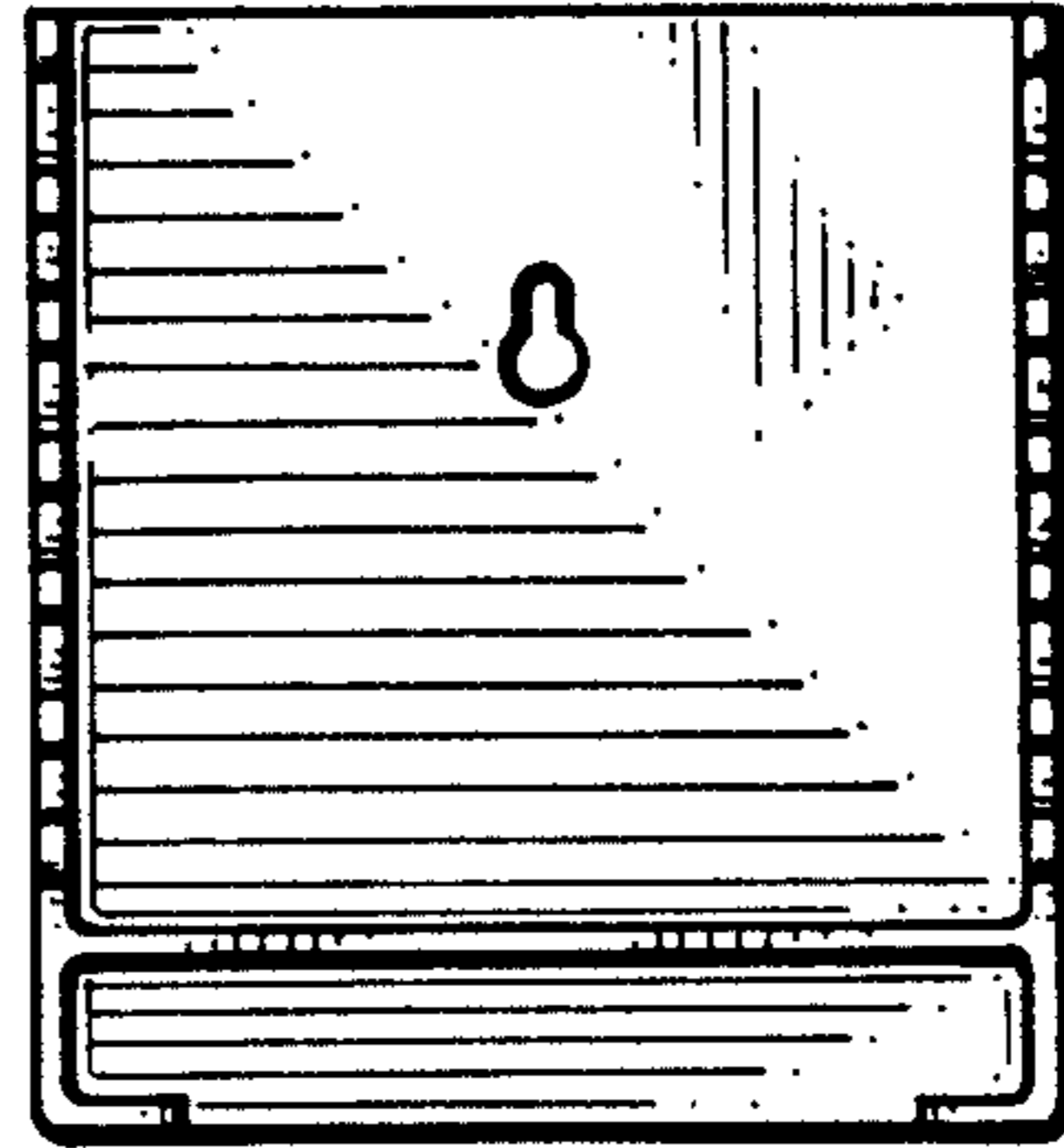


Fig. 3.

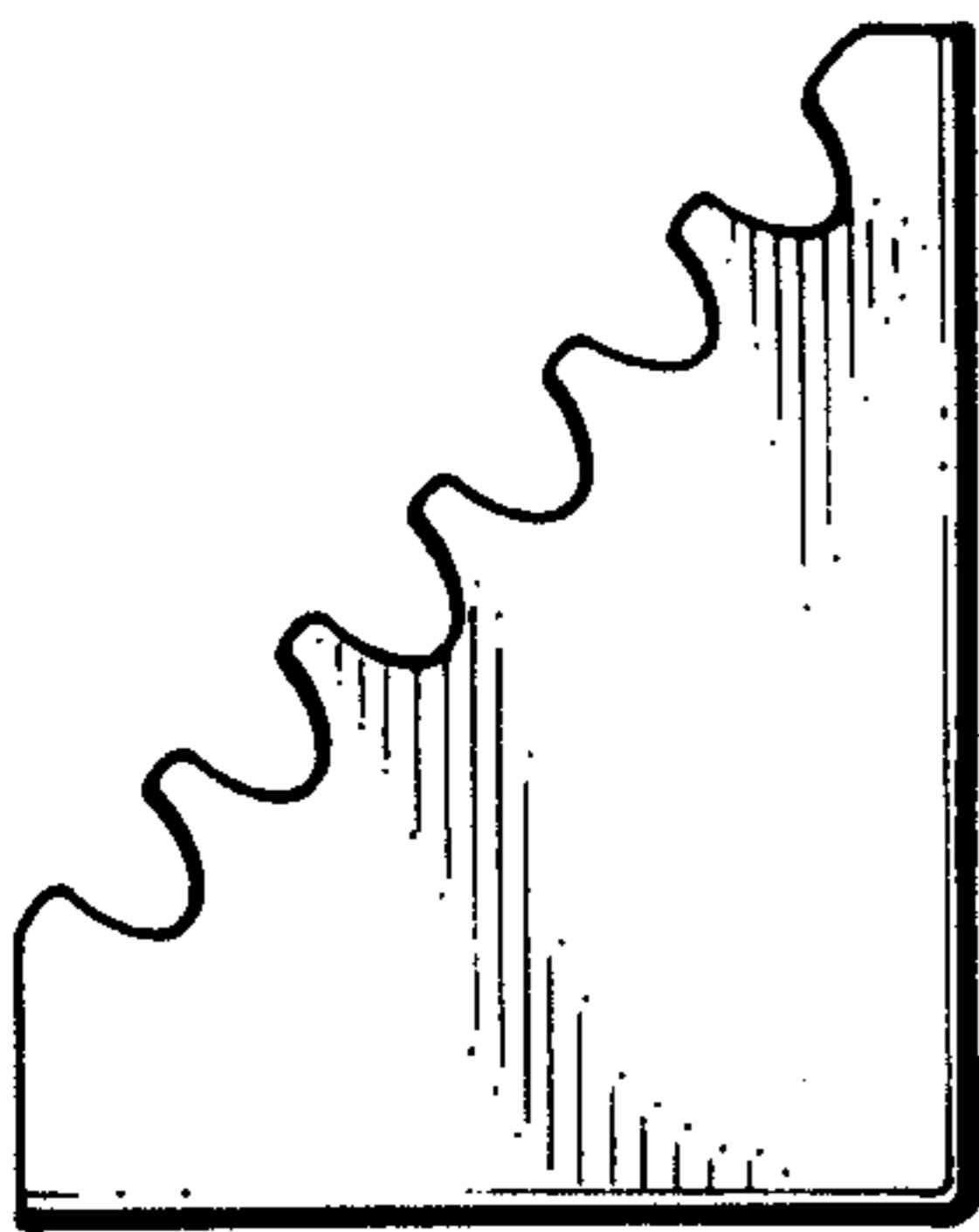


Fig. 4.

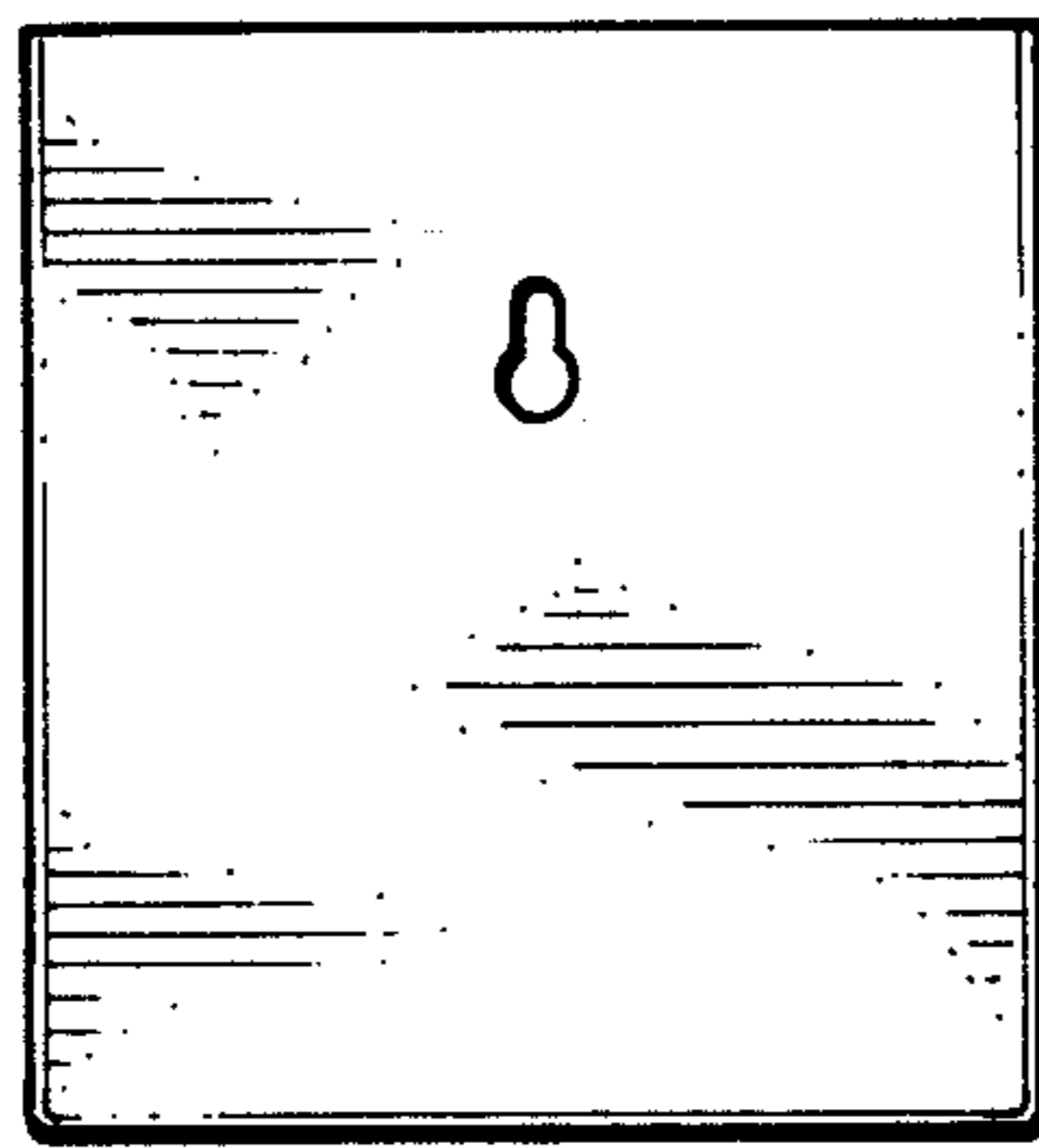


Fig. 5.

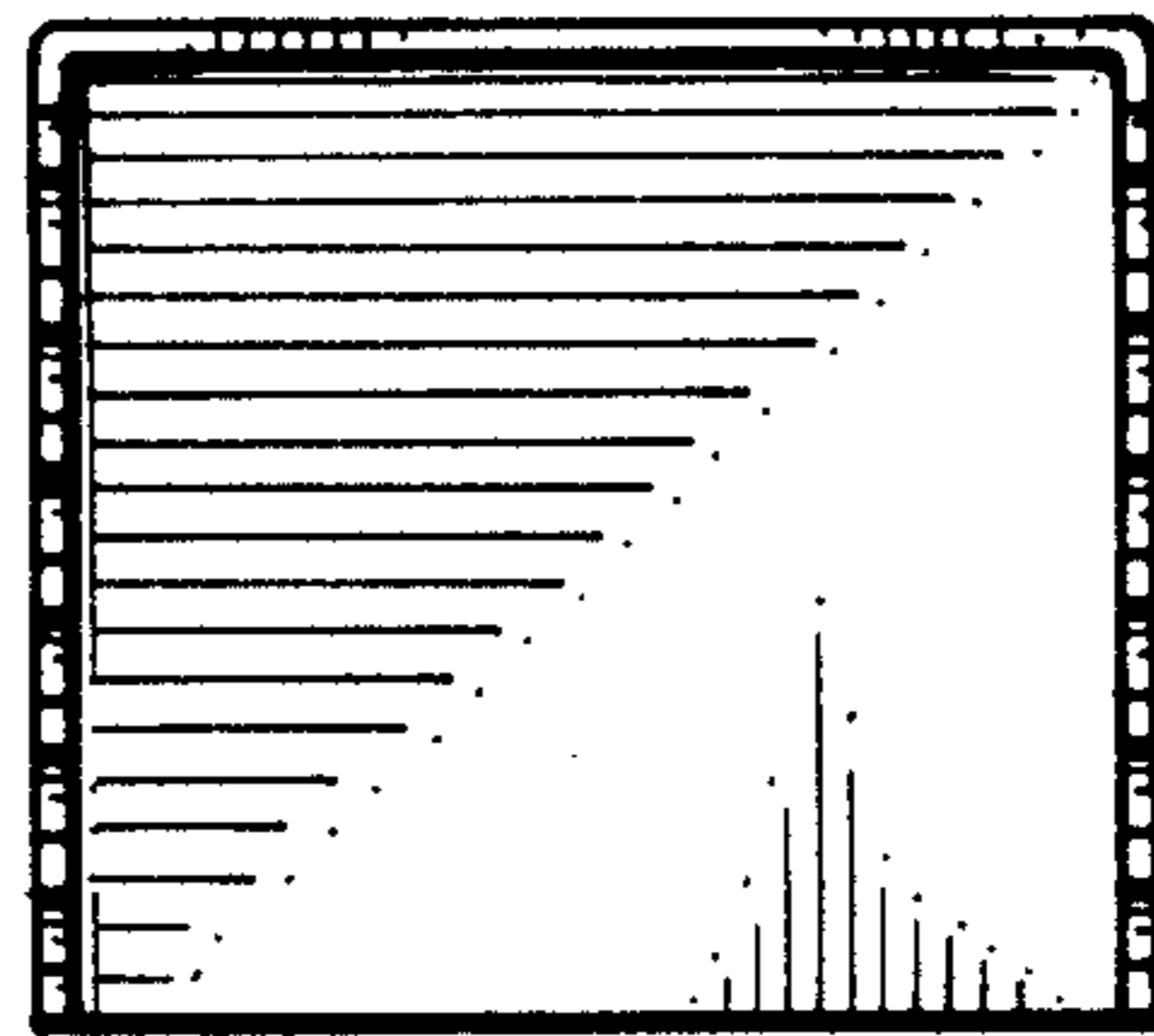


Fig. 6.

