

[54] GUITAR

[76] Inventor: Charles W. Grimes, 8137 Catawba, Fontana, Calif. 92335

[**] Term: 14 Years

[21] Appl. No.: 905,882

[22] Filed: May 15, 1978

[51] Int. Cl. D17-03

[52] U.S. Cl. D17/14; D17/18

[58] Field of Search D17/14, 15, 18-21; 84/267

[56] References Cited *
U.S. PATENT DOCUMENTS

D. 181,866 1/1958 McCarty D17/14

D. 209,333	11/1967	Ketjen	D17/14
D. 219,618	12/1970	Appleton	D17/14
3,443,465	5/1969	Kasha	84/267
3,956,962	5/1976	Fields	84/267

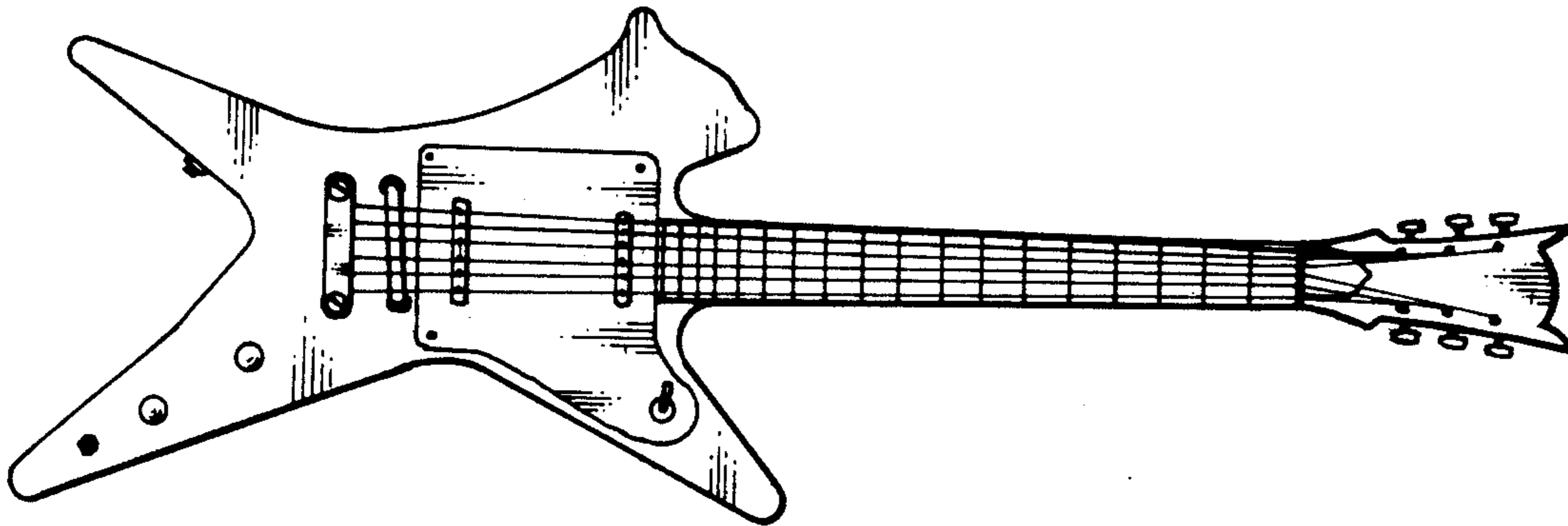
Primary Examiner—Joel Stearman
Assistant Examiner—Jane E. Corrigan
Attorney, Agent, or Firm—John H. Crowe

[57] CLAIM

The ornamental design for a guitar, substantially as shown and described.

DESCRIPTION

FIG. 1 is a front elevational view of a guitar showing my new design;
FIG. 2 is a rear elevational view;
FIG. 3 is a right side elevational view; and
FIG. 4 is a left side elevational view.



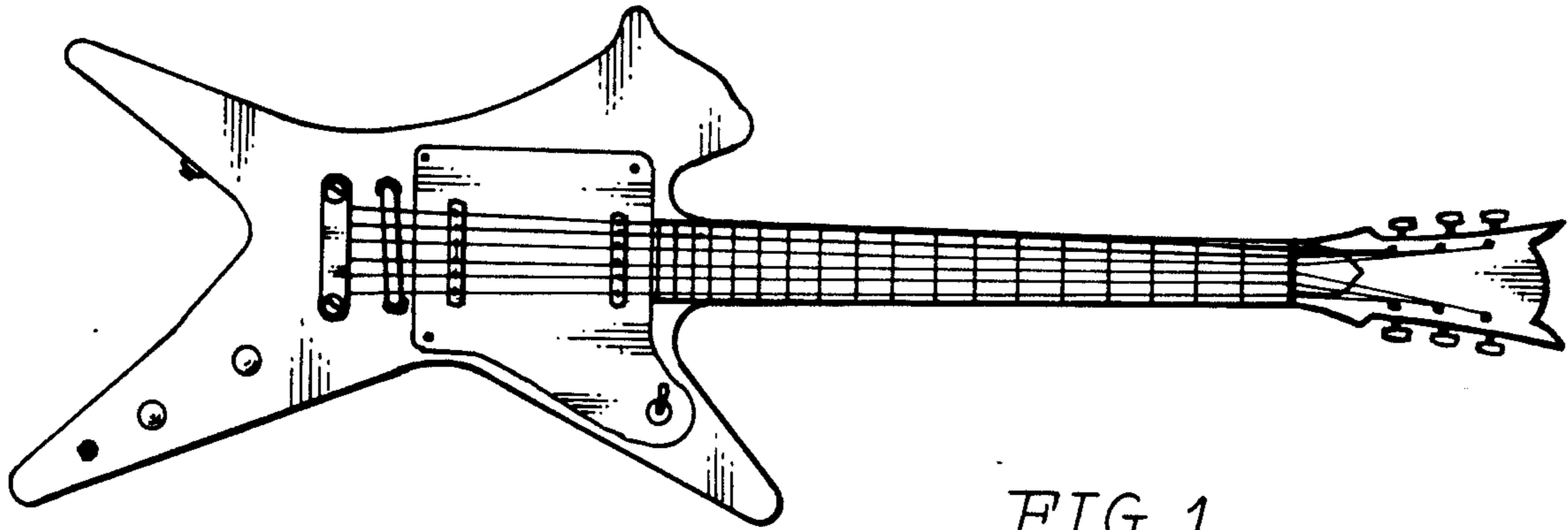


FIG. 1.

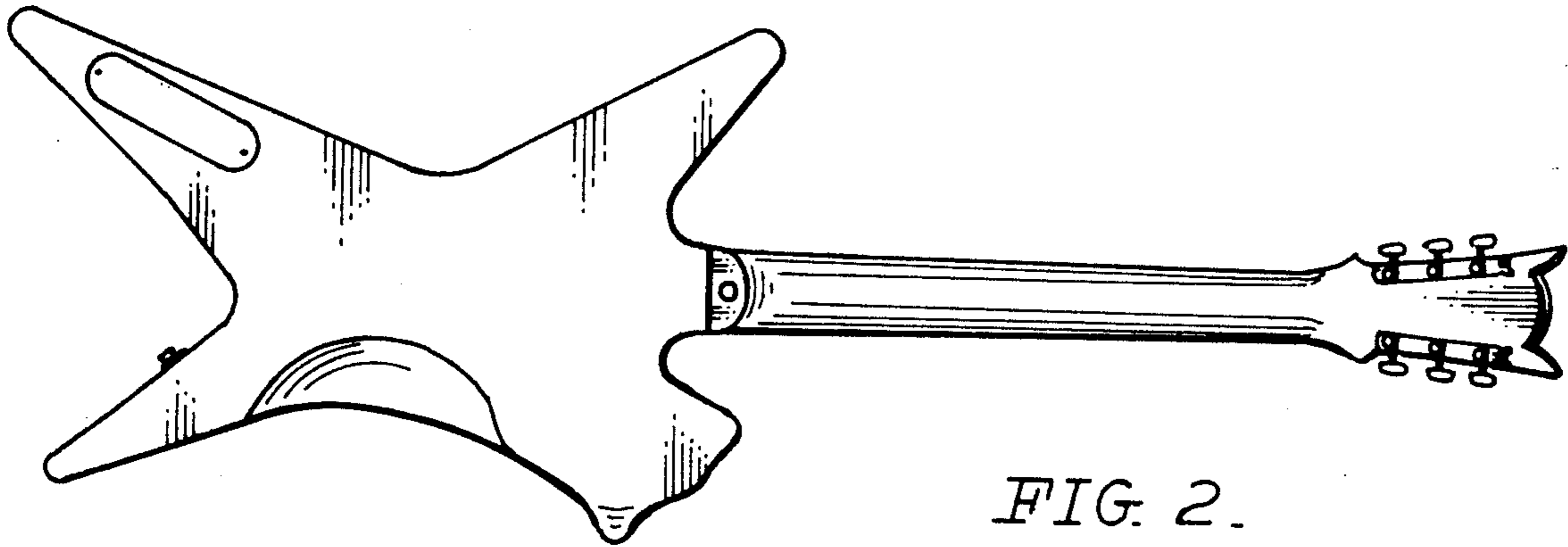


FIG. 2.



FIG. 3.



FIG. 4.