

[54] SUCTION CLEANER OR THE LIKE

[56]

References Cited

U.S. PATENT DOCUMENTS

[75] Inventor: John D. Essex, North Canton, Ohio

D. 214,340	6/1969	Schaefer et al. ....	D15/54
D. 233,645	11/1974	Diehl .....	D15/54
D. 233,647	11/1974	Diehl .....	D15/54
D. 234,415	3/1975	Lauderback .....	D15/54

[73] Assignee: The Hoover Company, North Canton, Ohio

Primary Examiner—Catherine E. Kemper  
Attorney, Agent, or Firm—Gerald H. Kreske

[\*\*] Term: 14 Years

[57] CLAIM

[21] Appl. No.: 953,569

The ornamental design for a suction cleaner or the like, as shown or described.

[22] Filed: Oct. 23, 1978

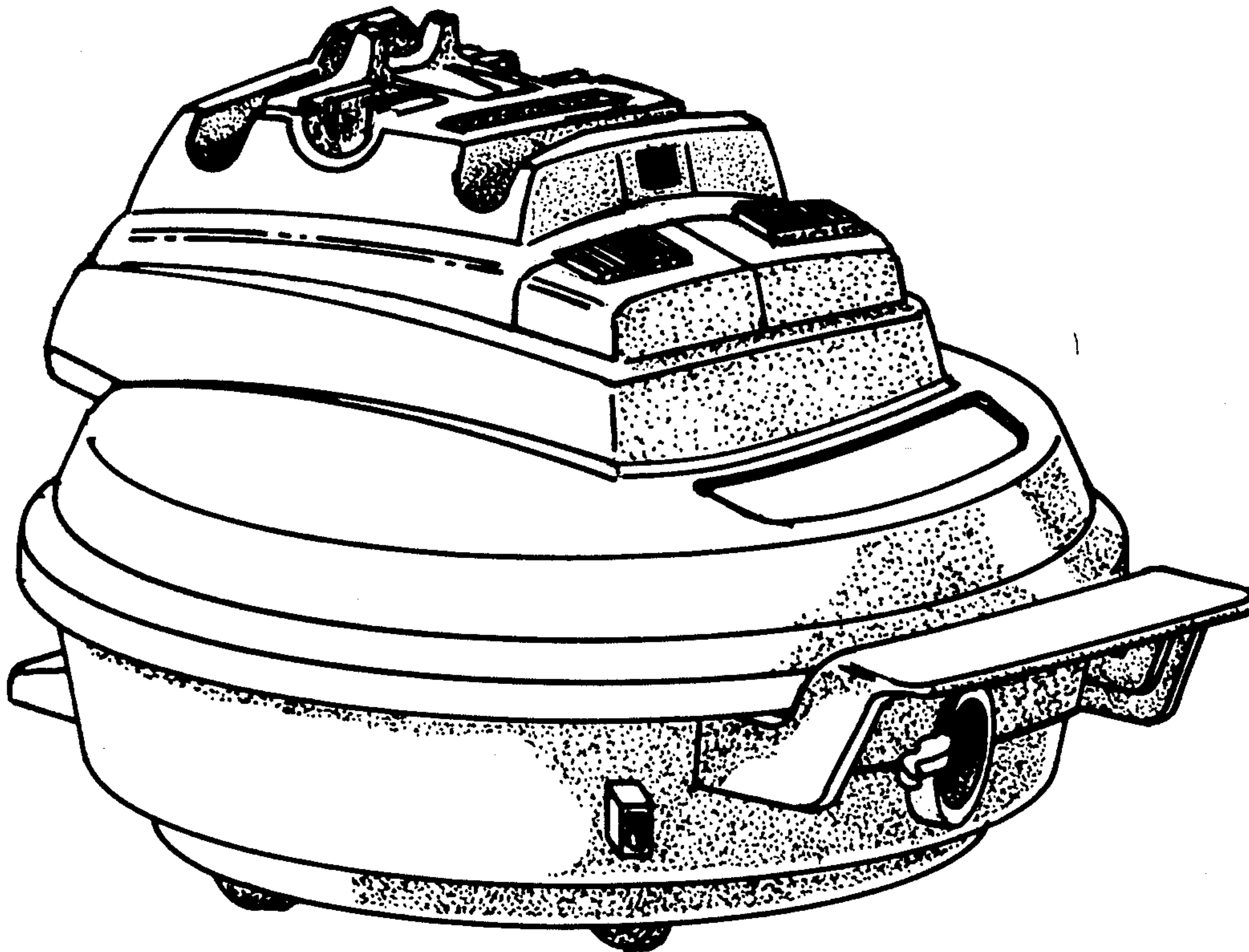
DESCRIPTION

[51] Int. Cl. .... D15—05

[52] U.S. Cl. .... D15/54

[58] Field of Search ..... D15/34, 48, 52, 53,  
D15/54, 55, 62; 15/320, 323, 324, 325, 326, 327

FIG. 1 is a left front perspective view of a suction cleaner or the like showing my new design;  
FIG. 2 is a right side elevational view thereof shown on a slightly larger scale;  
FIG. 3 is a rear elevational view thereof;  
FIG. 4 is a top plan view thereof; and  
FIG. 5 is a bottom plan view thereof.



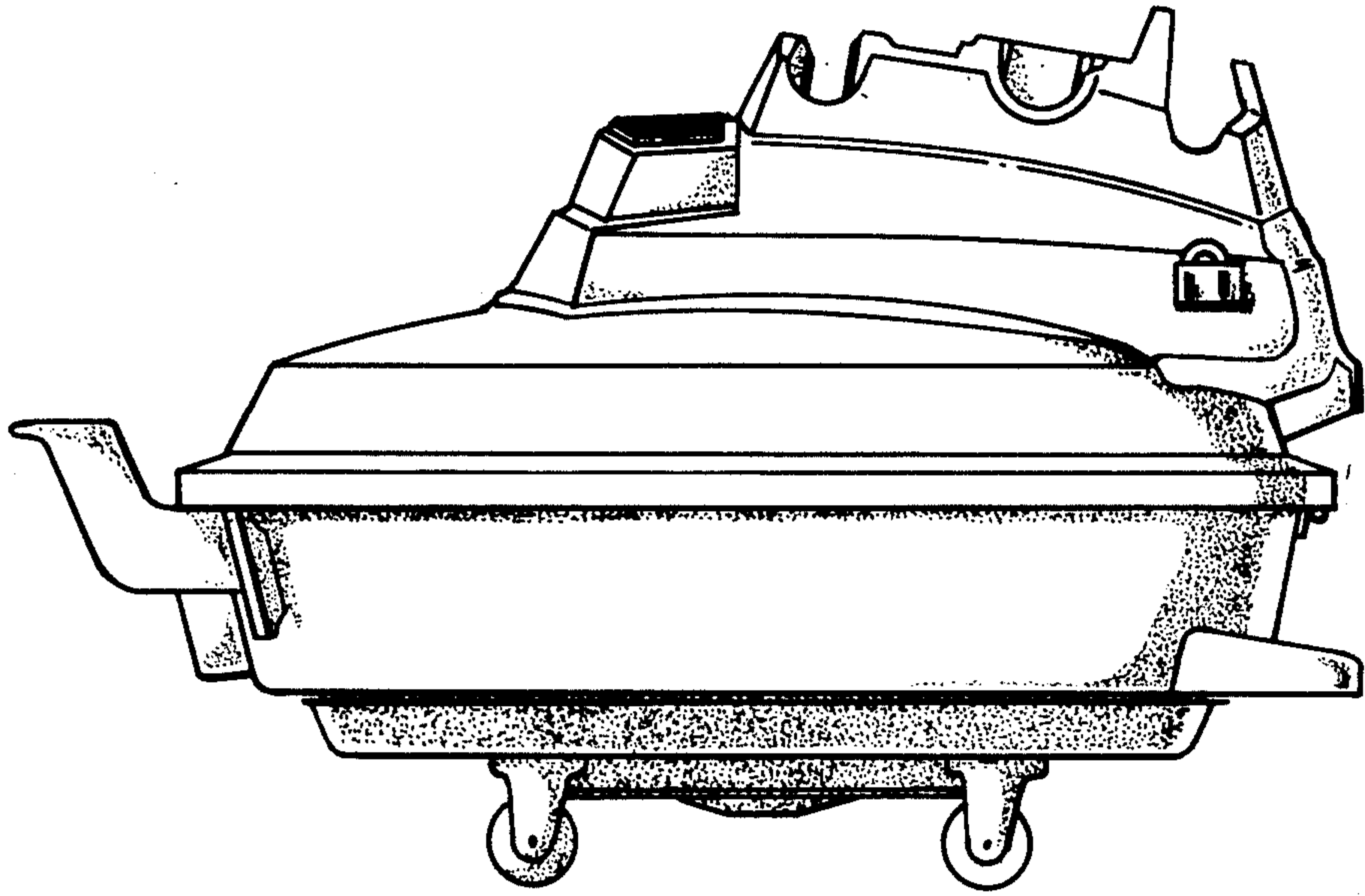


Fig. 2

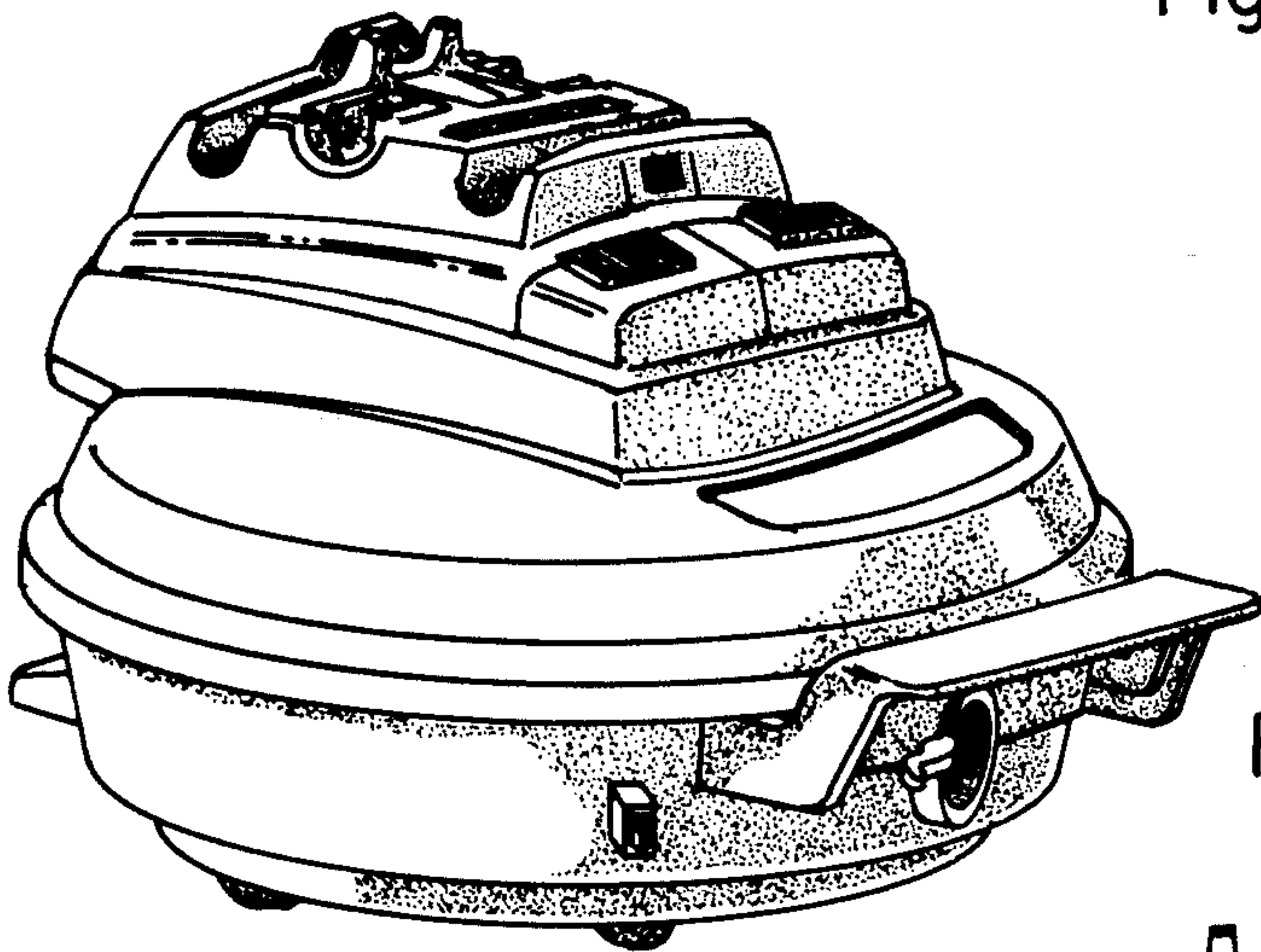


Fig. 1

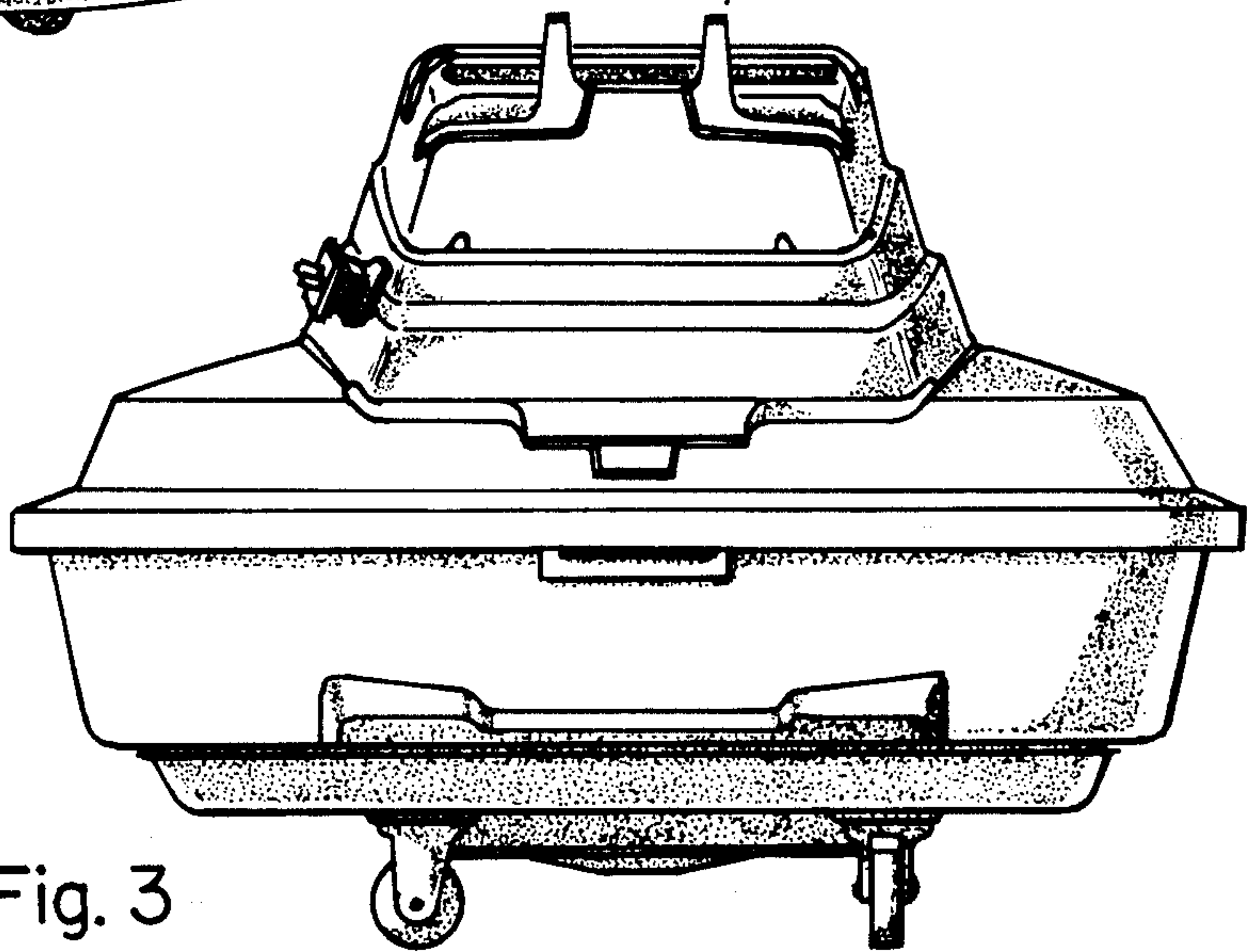


Fig. 3



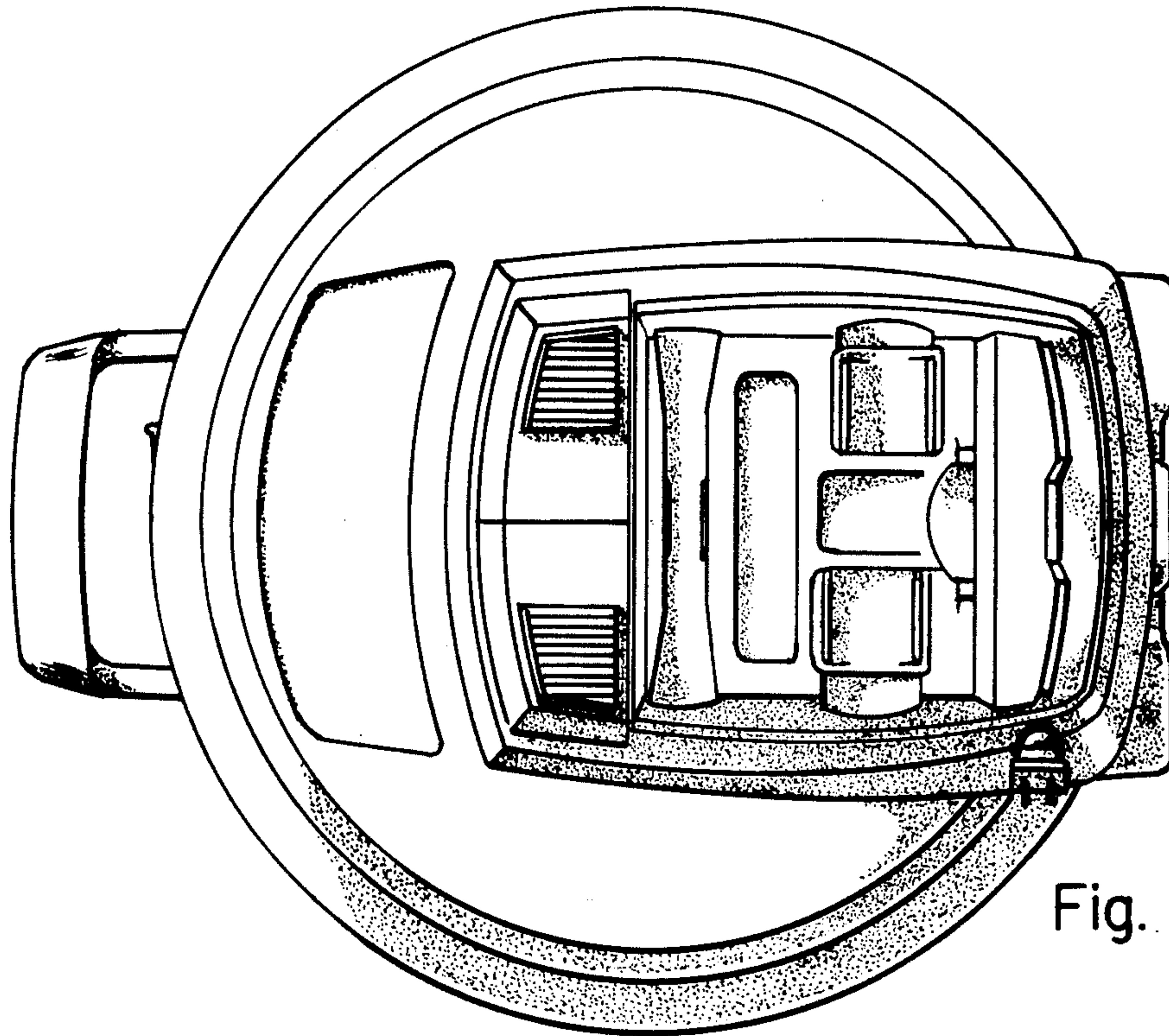


Fig. 4

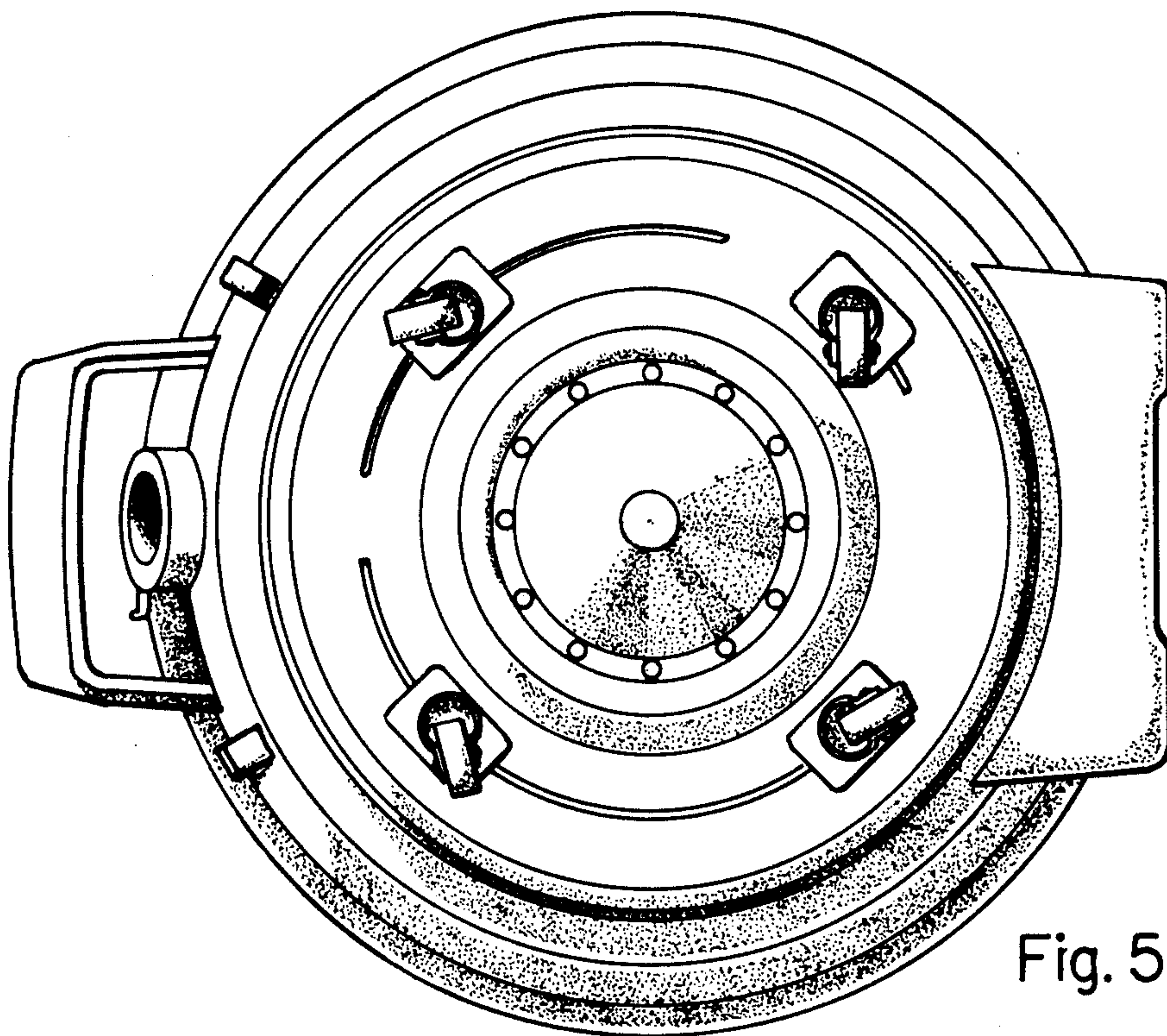


Fig. 5