

[54] DIGGING ADAPTER FOR A PLOW

[75] Inventor: John W. Ryan, Yowie Bay, Australia

[73] Assignee: Agrowplow Pty. Limited

[**] Term: 14 Years

[21] Appl. No.: 893,720

[22] Filed: Apr. 5, 1978

[30] Foreign Application Priority Data

Oct. 24, 1977 [AU] Australia 73170/77

[51] Int. Cl. D15-03

[52] U.S. Cl. D15/11

[58] Field of Search D15/28, 29; 37/141 R,
37/141 T, 142 R, 142 A; 172/699, 713, 719,
749-751, 753, 762, 763

[56] References Cited

U.S. PATENT DOCUMENTS

538,991	5/1895	Williams	172/753
4,038,766	8/1977	Felstet	172/751

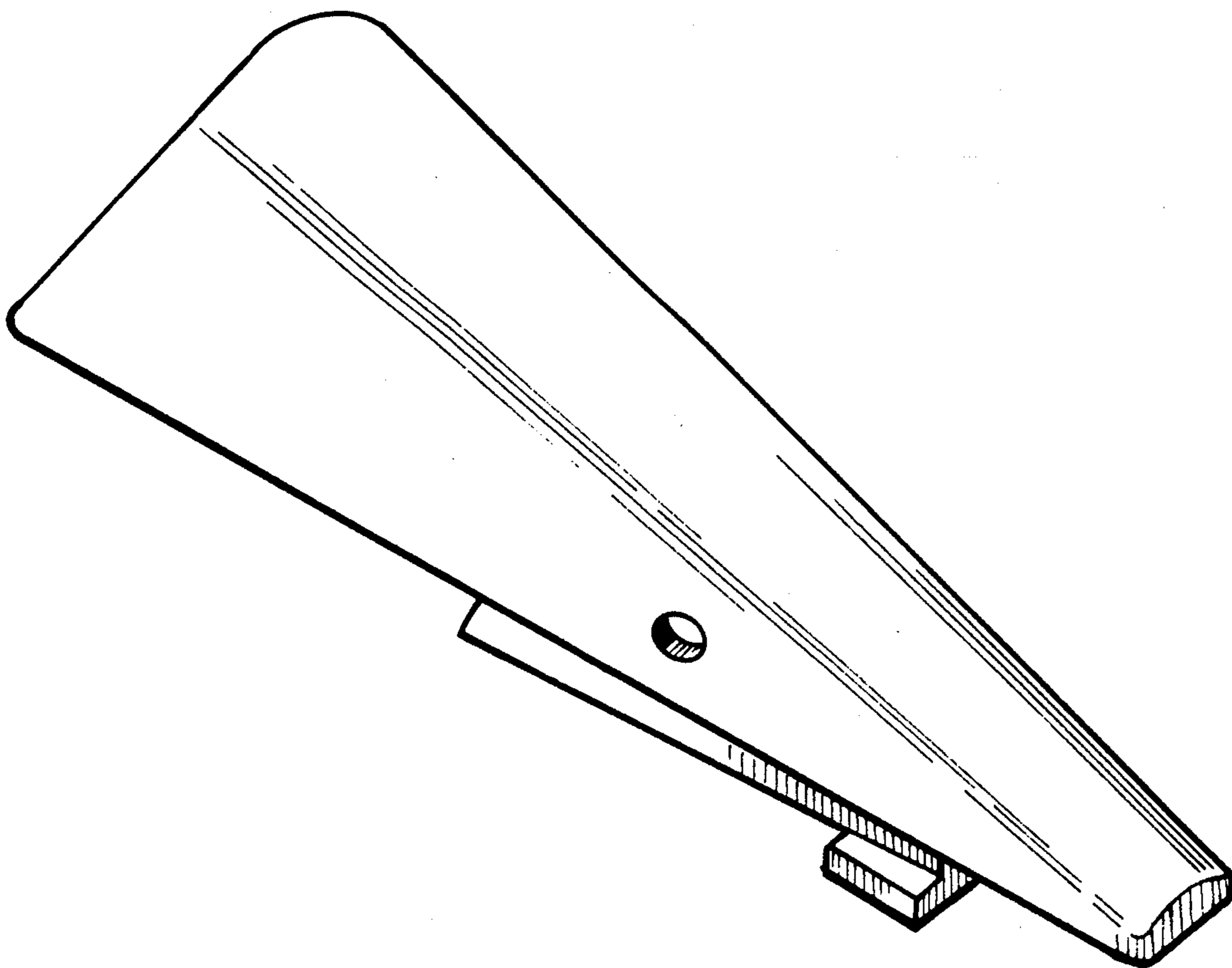
Primary Examiner—James M. Gandy
Attorney, Agent, or Firm—Eric H. Waters

[57] CLAIM

The ornamental design for a digging adapter for a plow, substantially as shown and described.

DESCRIPTION

FIG. 1 is a perspective view of a digging adapter for a plow showing my new design;
FIG. 2 is a bottom plan view thereof;
FIG. 3 is a side elevation view thereof;
FIG. 4 is a top plan view thereof;
FIG. 5 is a rear elevation view thereof;
FIG. 6 is a front elevation view thereof.



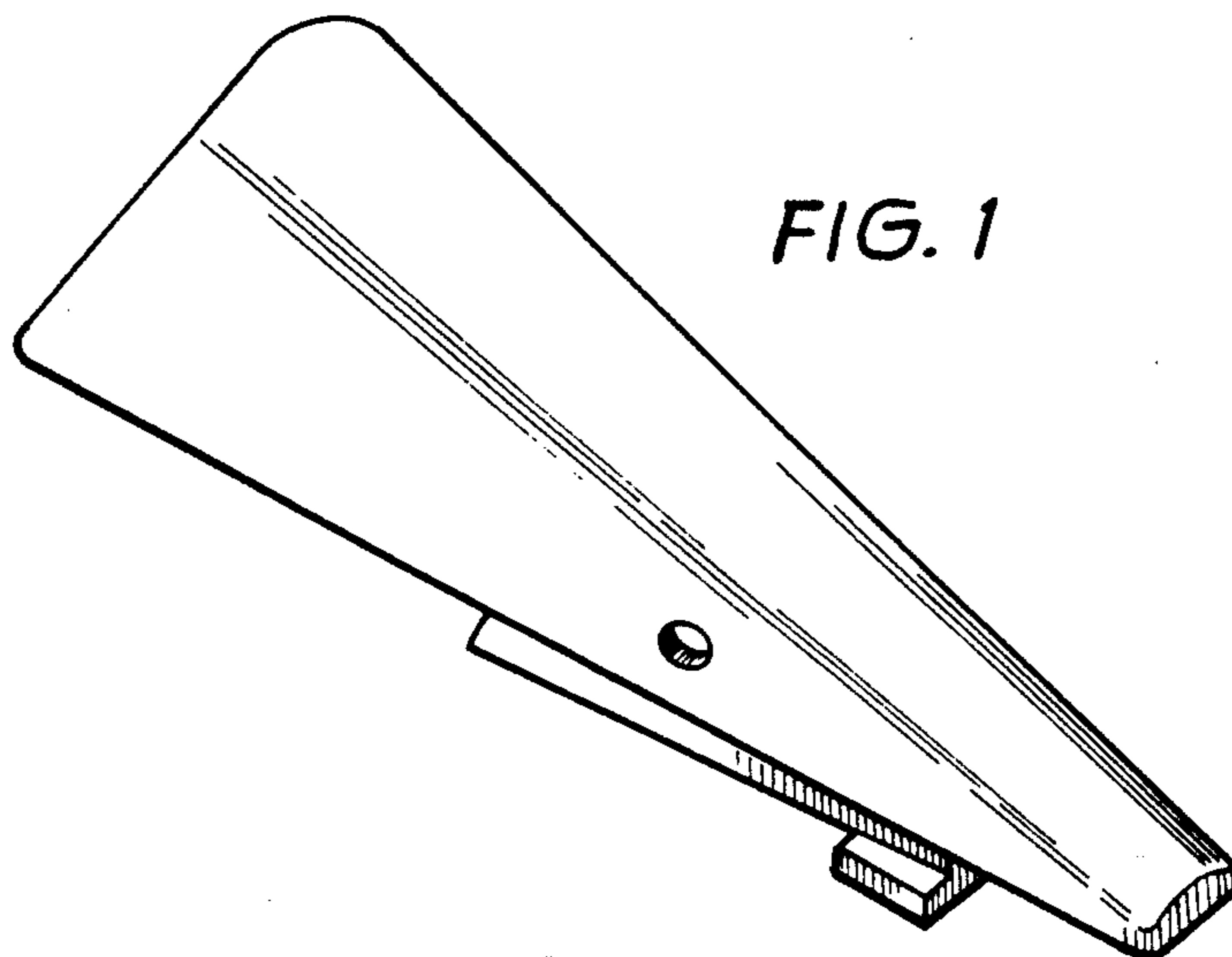


FIG. 1

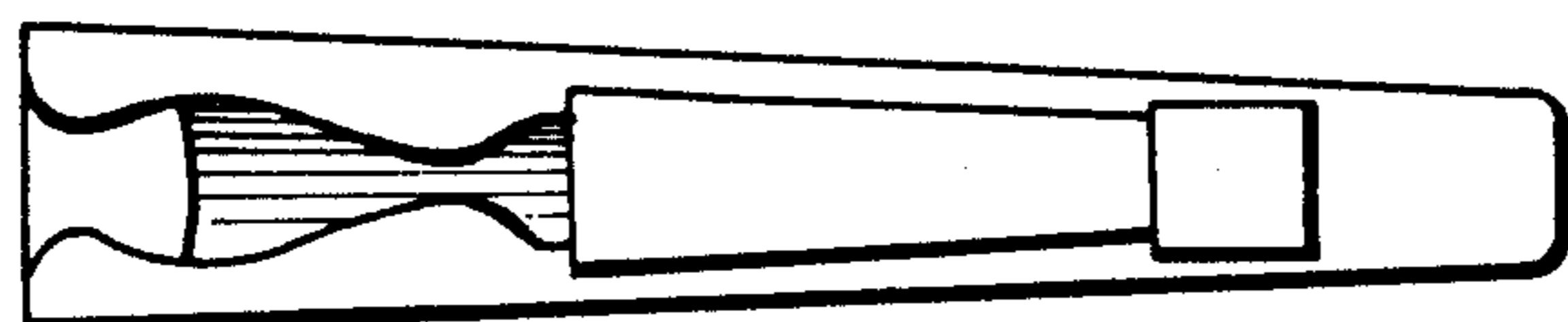


FIG. 2

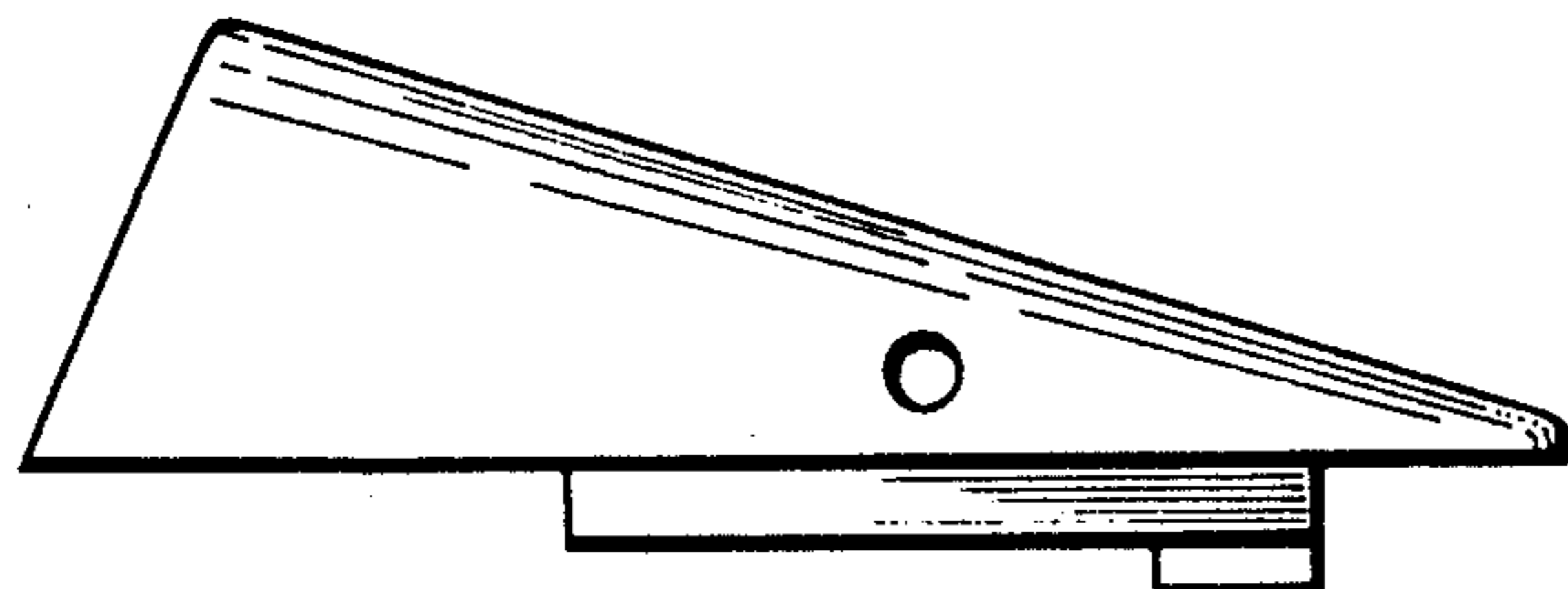


FIG. 3

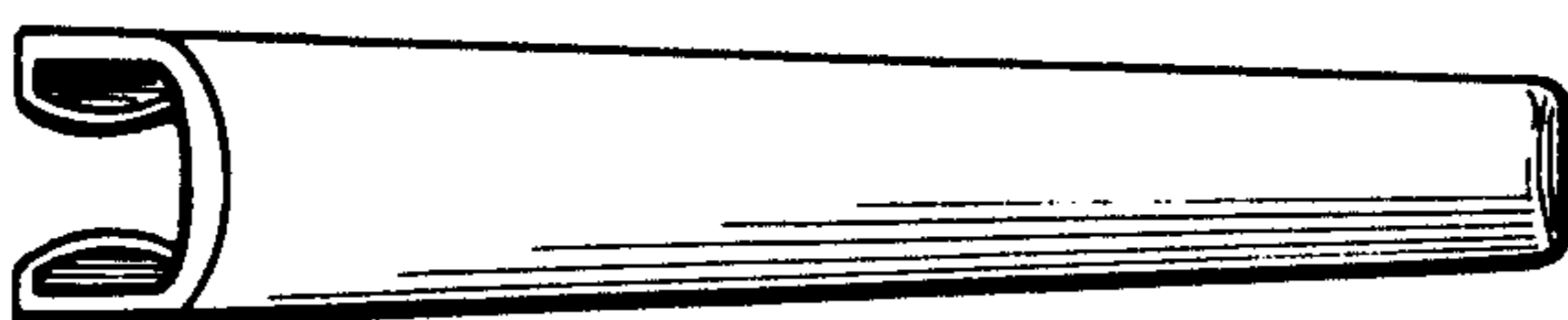


FIG. 4

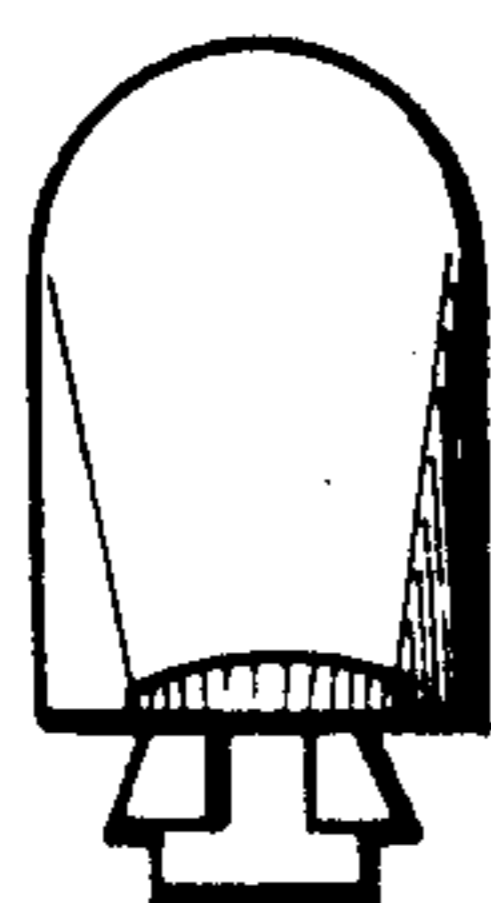


FIG. 5

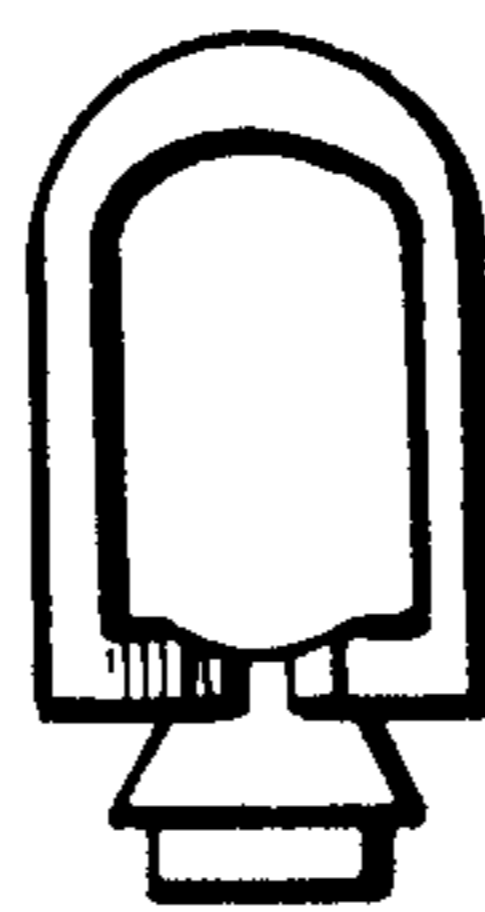


FIG. 6