

[54] DIGGING BLADE FOR A PLOW

[75] Inventor: John W. Ryan, Yowie Bay, Australia

[73] Assignee: Agrowplow Pty. Limited

[**] Term: 14 Years

[21] Appl. No.: 893,719

[22] Filed: Apr. 5, 1978

[30] Foreign Application Priority Data

Oct. 24, 1977 [AU] Australia 73169/77

[51] Int. Cl. D15-03

[52] U.S. Cl. D15/11

[58] Field of Search D15/32, 29, 11;
37/141 R, 141 T, 142 R, 142 A; 172/699, 713,
719, 749-751, 753, 762, 763

[56] References Cited

U.S. PATENT DOCUMENTS

1,073,984	9/1913	Hartie	172/699
1,120,859	12/1914	Storie	172/699

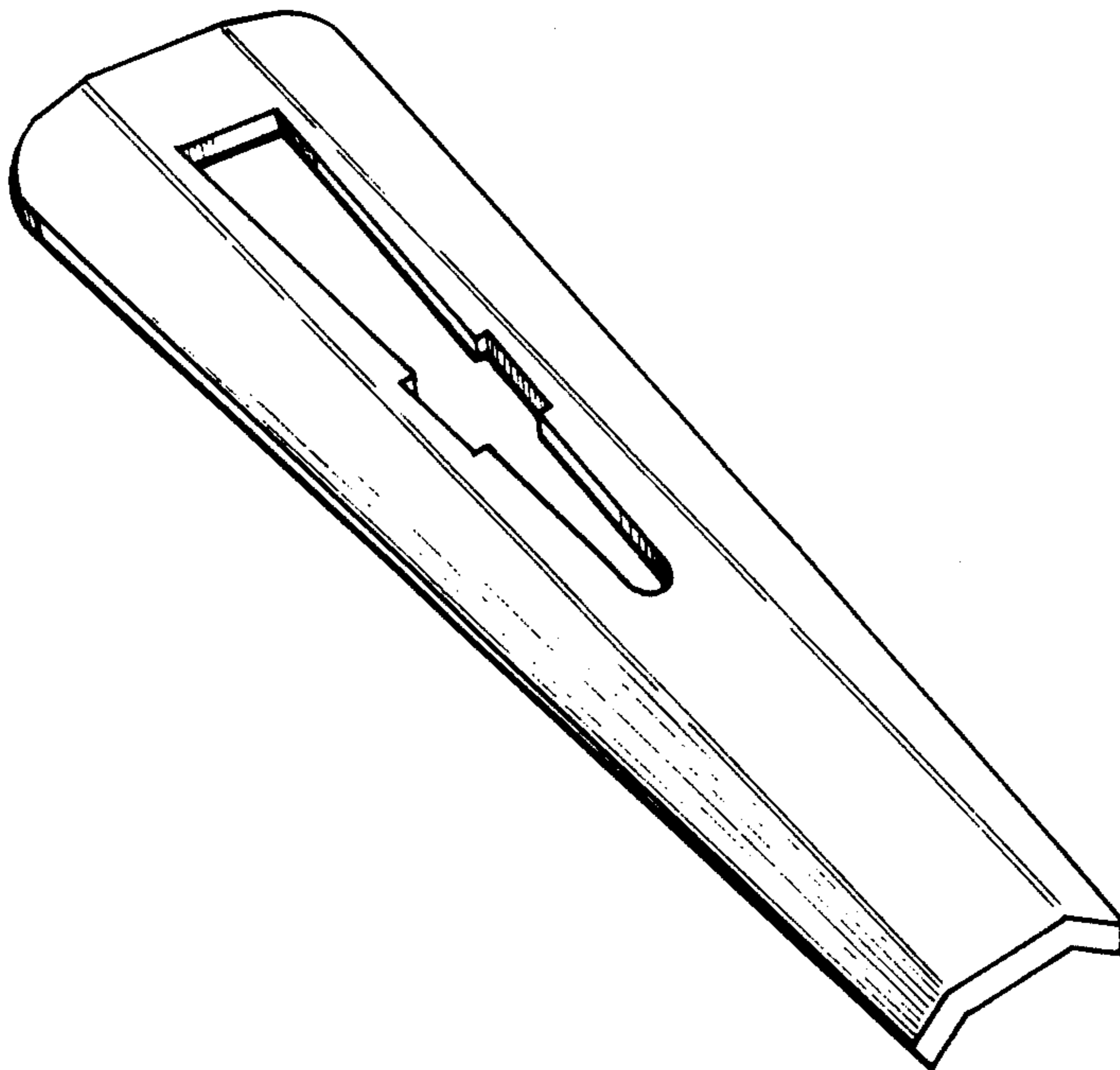
Primary Examiner—James M. Gandy
Attorney, Agent, or Firm—Eric H. Waters

[57] CLAIM

The ornamental design for a digging blade for a plow, substantially as shown and described.

DESCRIPTION

FIG. 1 is a top perspective view of a digging blade for a plow showing my new design;
FIG. 2 is a bottom plan view thereof;
FIG. 3 is a rear elevational view thereof;
FIG. 4 is a front elevational view thereof; and
FIG. 5 is a sectional view thereof taken along line 5—5 in FIG. 2.



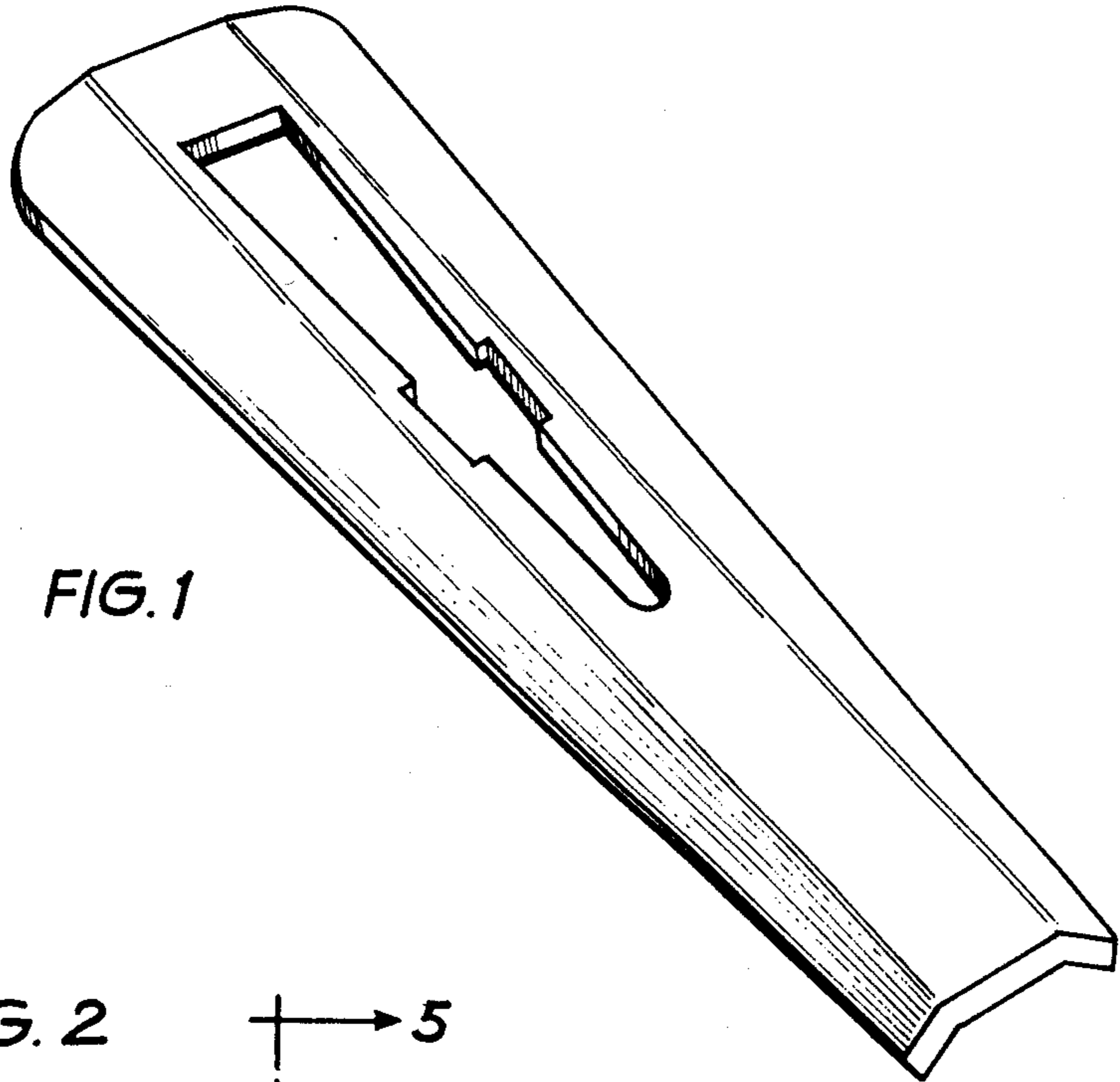


FIG. 1

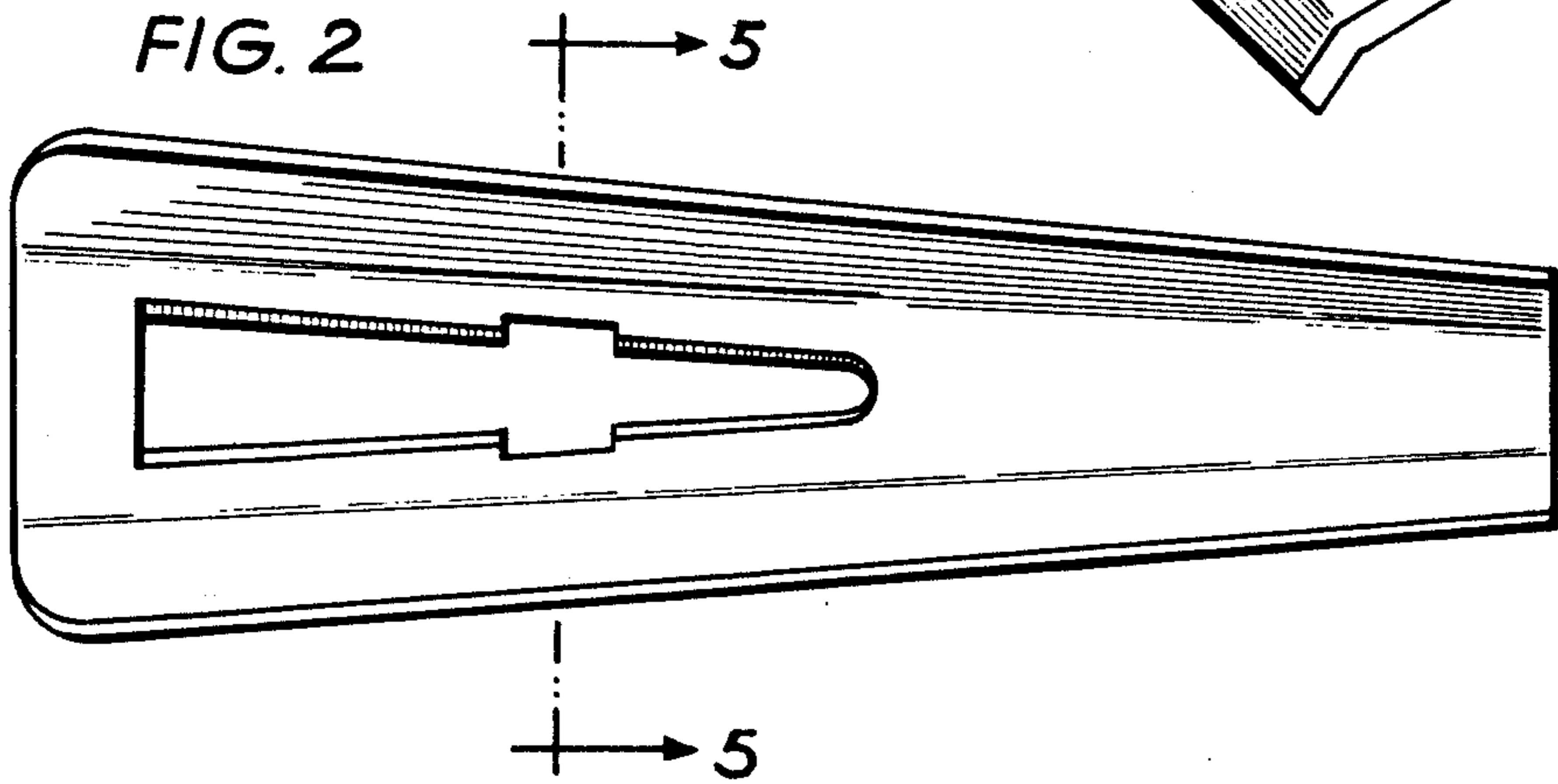


FIG. 2



FIG. 3

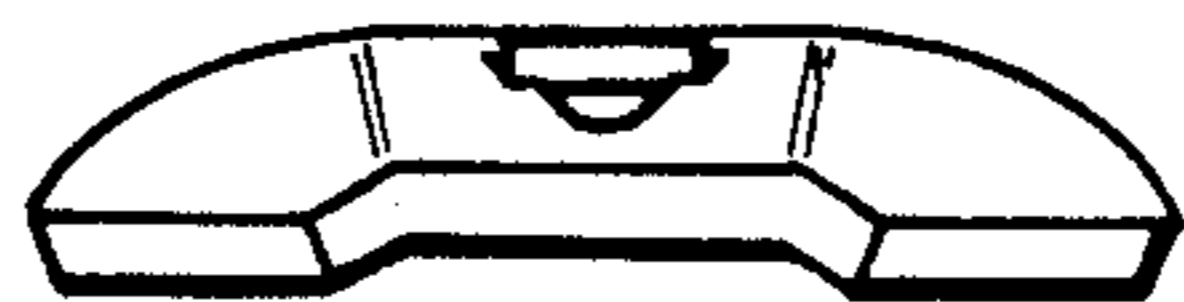


FIG. 4



FIG. 5