

[54] COMBINED CONNECTOR LOCKING RING AND CABLE

[75] Inventor: Ronald C. Laudig, Mechanicsburg, Pa.

[73] Assignee: AMP Incorporated, Harrisburg, Pa.

[**] Term: 14 Years

[21] Appl. No.: 941,608

[22] Filed: Sep. 11, 1978

[51] Int. Cl. D13-03

[52] U.S. Cl. D13/24

[58] Field of Search 339/88, 90; D13/24

[56] References Cited

U.S. PATENT DOCUMENTS

2,935,720 5/1960 Lorimer 339/90 R

OTHER PUBLICATIONS

AMP RF Connectors No. 17 Jul. 1978, p. 59 (top) p. 60 (center).

Primary Examiner—Sam Rosen
Attorney, Agent, or Firm—William J. Keating

[57] CLAIM

The ornamental design for combined connector locking ring and cable, as shown and described.

DESCRIPTION

FIG. 1 is a perspective view showing my new design of a combined connector locking ring and cable;

FIG. 2 is a right end elevation view thereof;

FIG. 3 is a left end elevation view thereof;

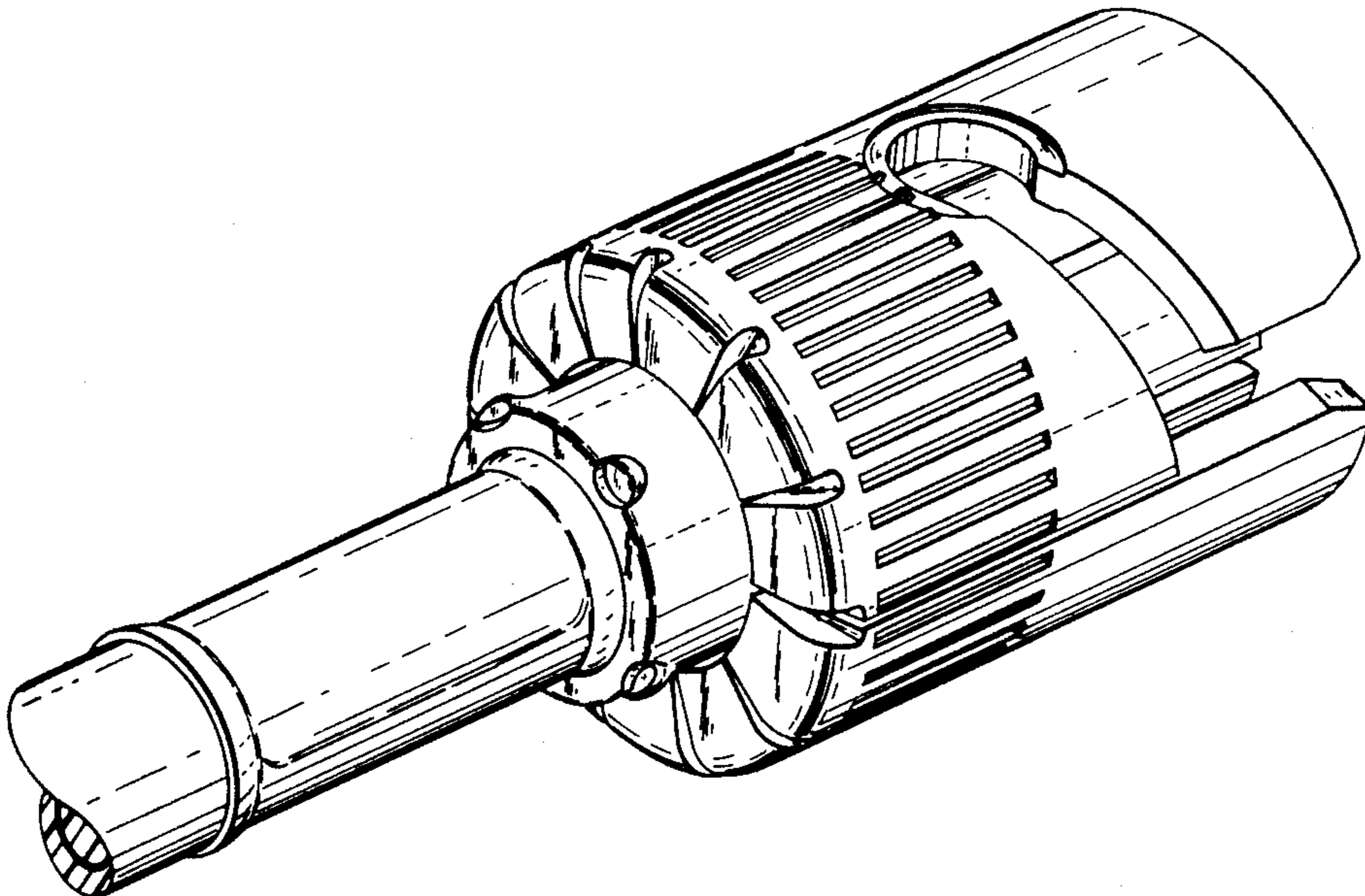
FIG. 4 is a side view thereof;

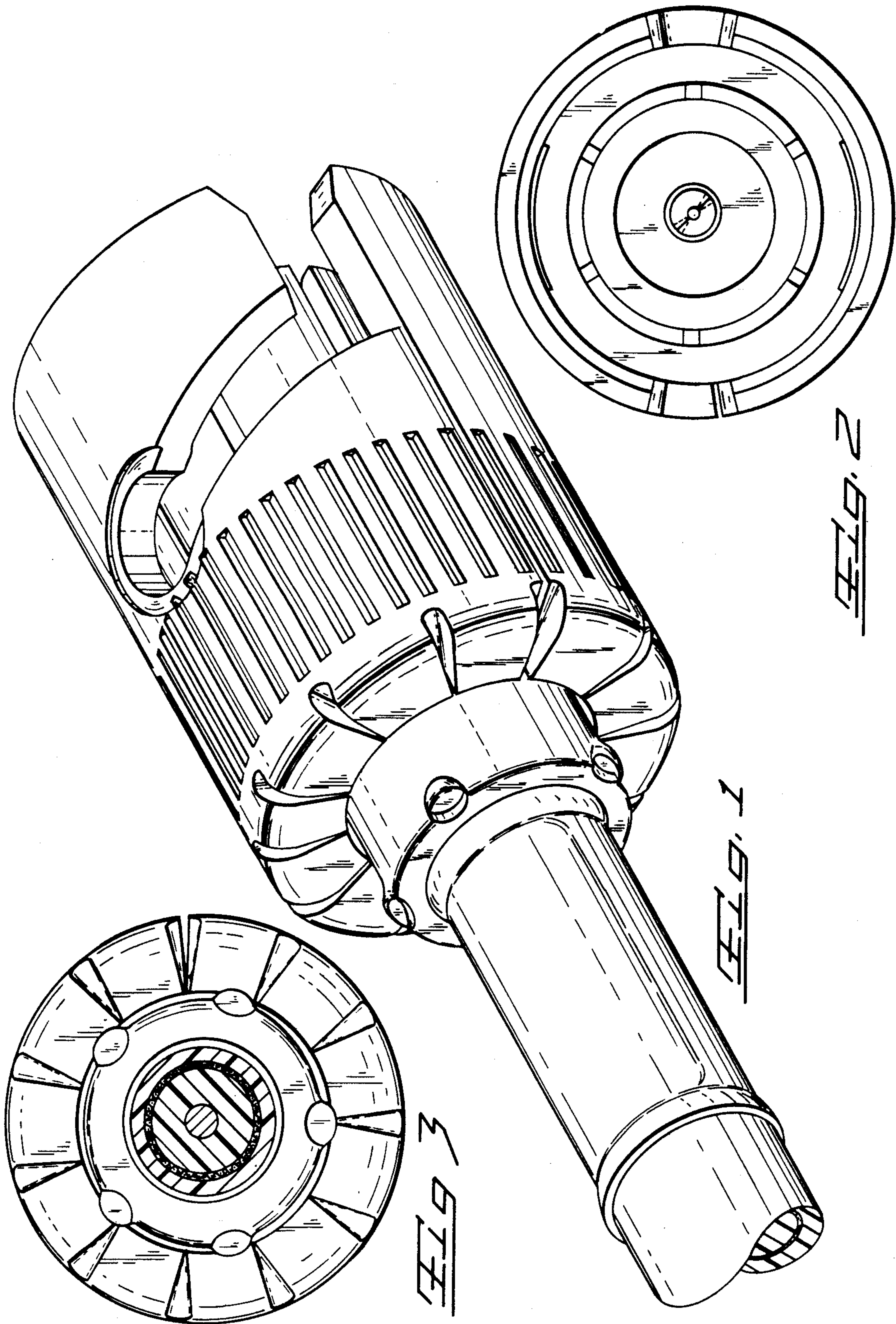
FIG. 5 is a side view thereof rotated 90°;

FIG. 6 is a side view thereof rotated 180°; and

FIG. 7 is a side view thereof rotated 270°.

The cable of FIGS. 1 and 4-7 is shown broken away to show indeterminate length.





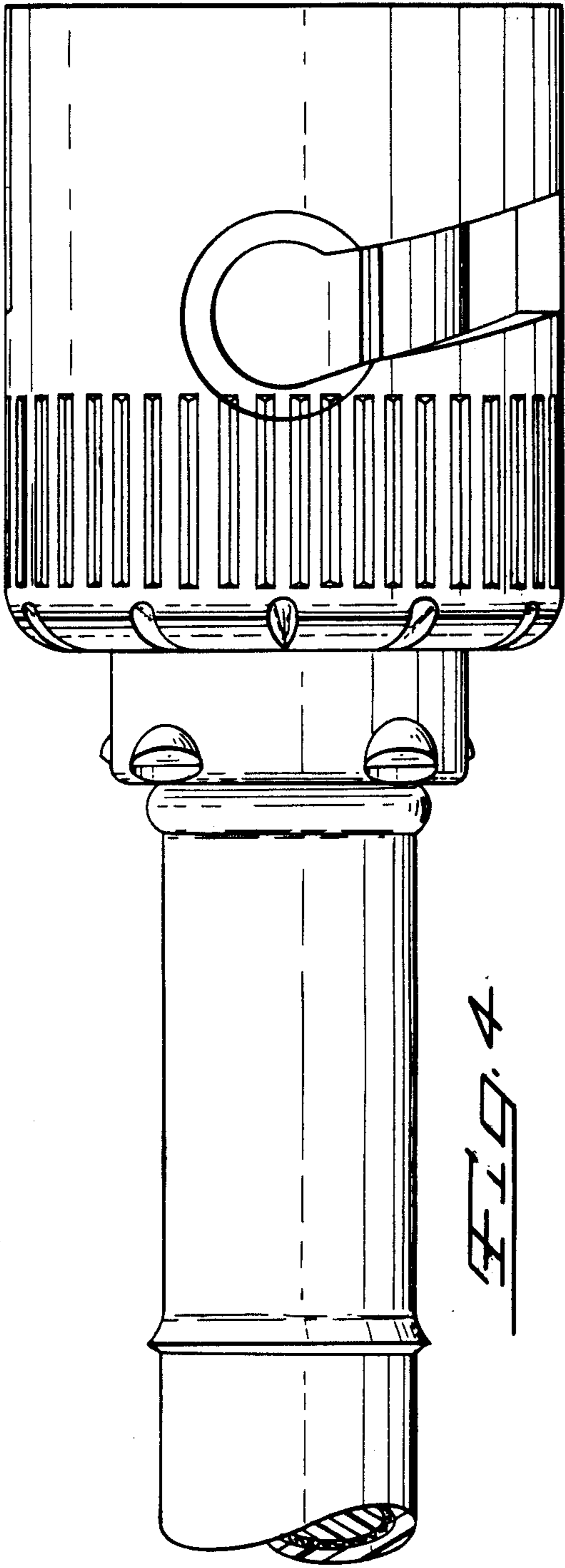


FIG. 4

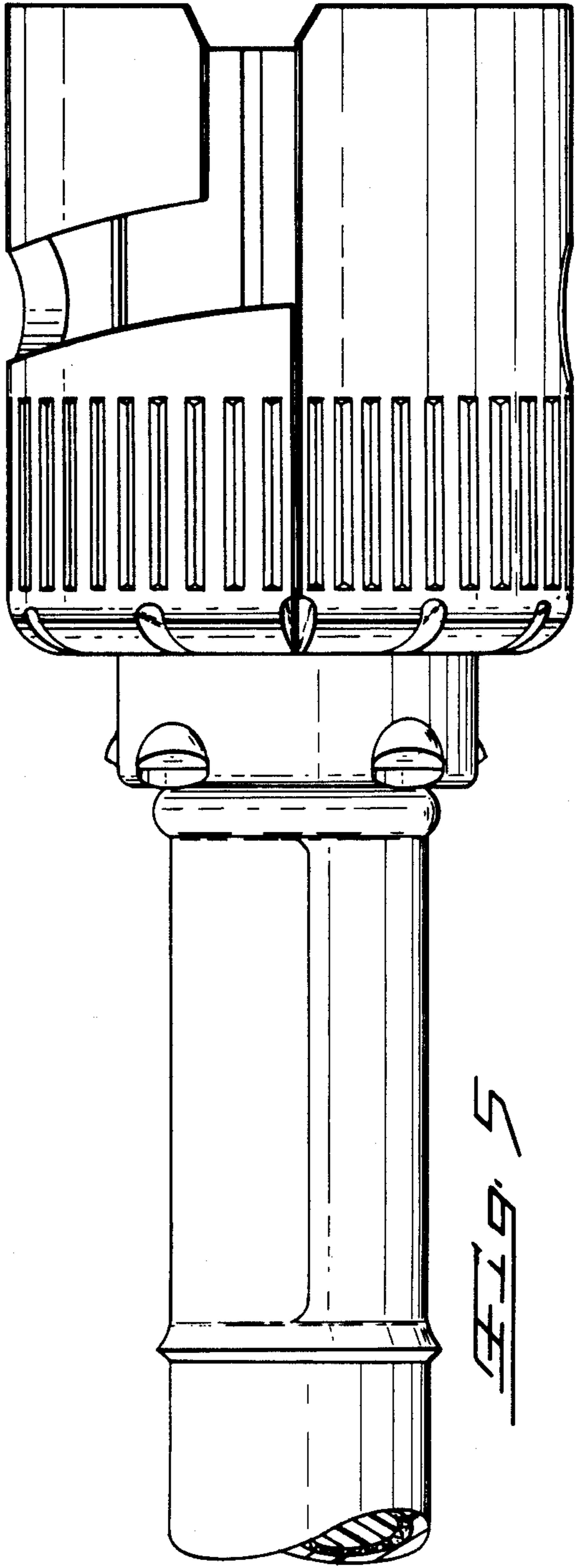


FIG. 5

