

[54] CONTROL HEAD FOR AN AIRBORNE POSITIONING CONTROL PANEL OR SIMILAR ARTICLE

[75] Inventors: Allan A. Beale, Scottsdale; Cecil La Vance, Paradise Valley, both of Ariz.

[73] Assignee: Motorola, Inc., Schaumburg, Ill.

[**] Term: 14 Years

[21] Appl. No.: 914,093

[22] Filed: Jun. 9, 1978

[51] Int. Cl. D13-03

[52] U.S. Cl. D13/12

[58] Field of Search D13/12, 32, 40, 41; 361/331, 332, 334, 335, 338, 346, 356, 357, 358, 379, 380, 381, 383, 384, 390-394, 399; 340/365 R; 200/5 R, 5 A

[56] References Cited

U.S. PATENT DOCUMENTS

D. 225,861 1/1973 Kalvitis D13/41

OTHER PUBLICATIONS

Design News, 9-6-1976, p. 88, Measuring System Keyboard and Display Panel.

Primary Examiner—Susan J. Lucas
Attorney, Agent, or Firm—Eugene A. Parsons

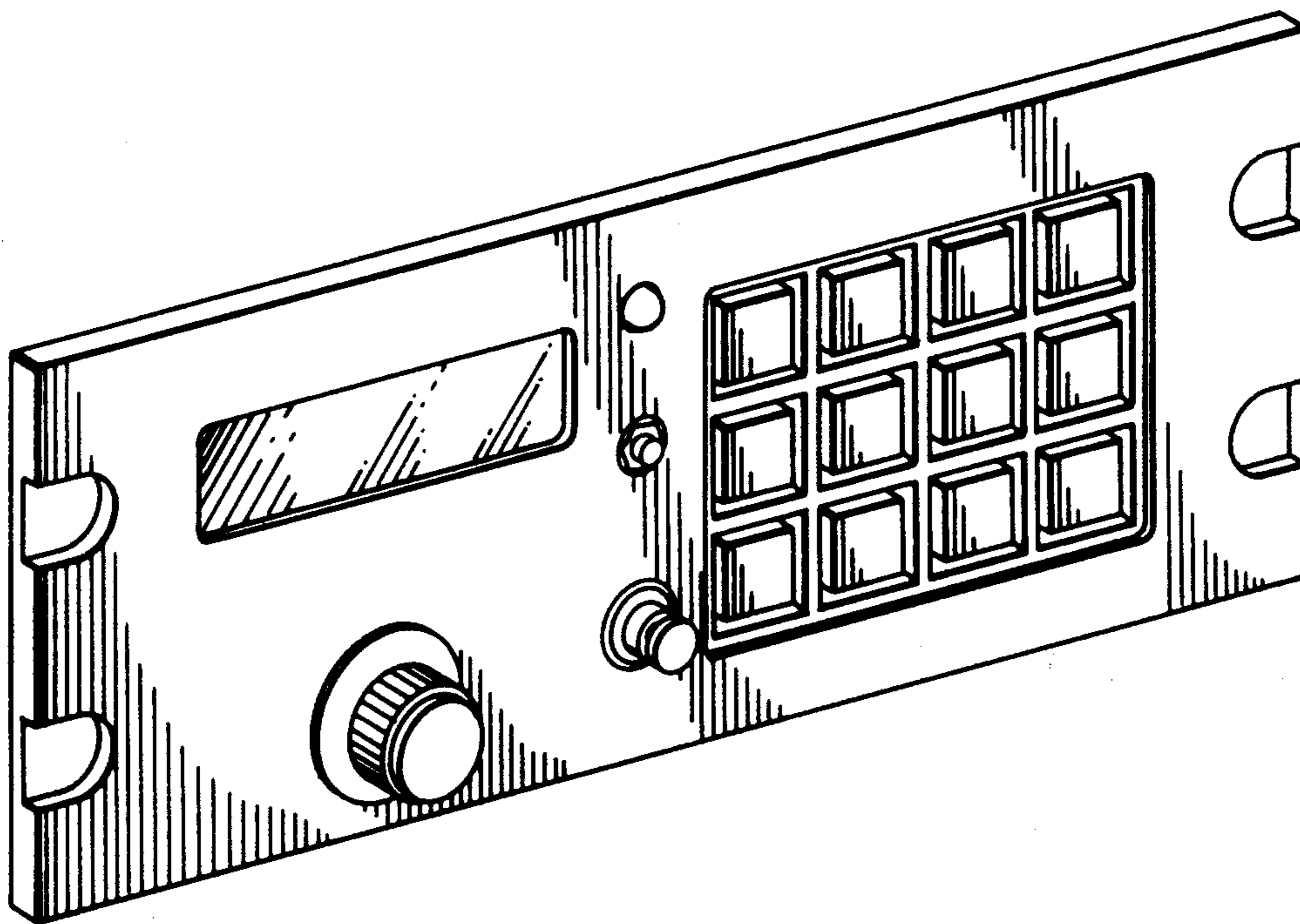
[57] CLAIM

The ornamental design for a control head for an airborne positioning panel or similar article, substantially as shown and described.

DESCRIPTION

FIG. 1 is a perspective view of our control head for an airborne positioning control panel or similar article showing the front, one side and the top of our new design;

FIG. 2 is a front elevational view thereof; and FIG. 3 is a side elevational view thereof.



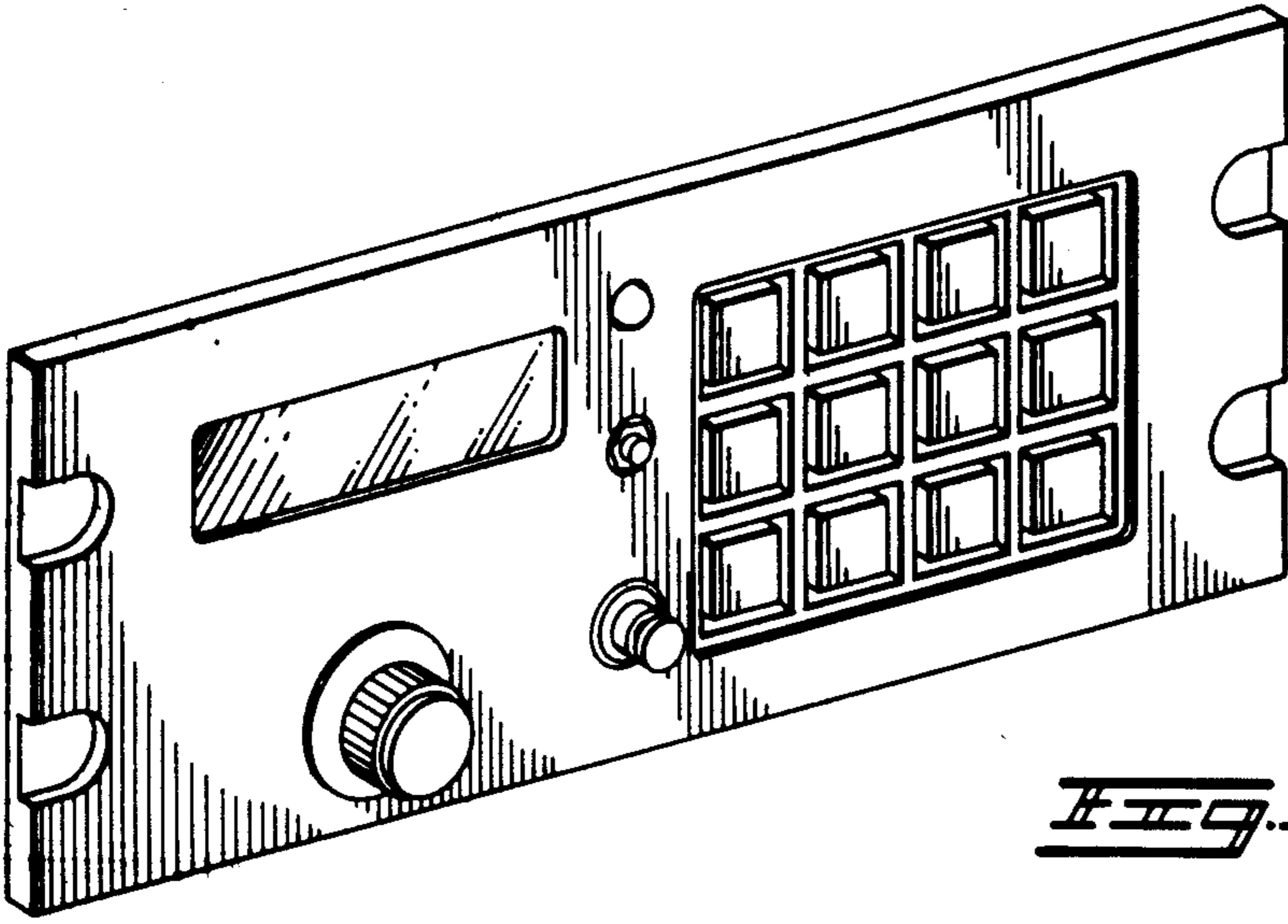


Fig. 1

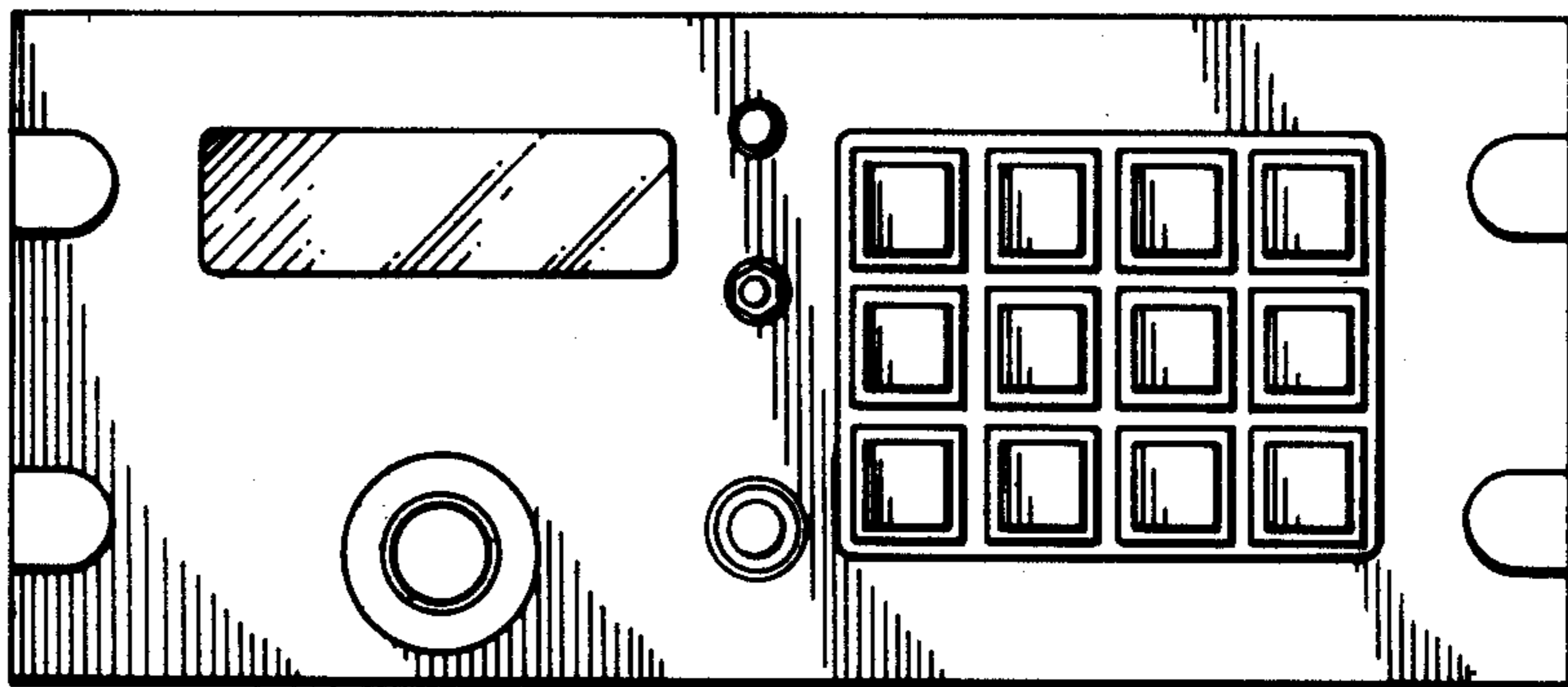


Fig. 2



Fig. 3