

[54] ARMORED CAR

[76] Inventor: Russell E. Bauer, 920 Lakeshore Dr., Grosse Pointe Shores, Mich. 48236

[\*\*] Term: 14 Years

[21] Appl. No.: 844,792

[22] Filed: Oct. 11, 1977

[51] Int. Cl. .... D12-13

[52] U.S. Cl. .... D12/12

[58] Field of Search ..... D12/12; 89/40 B, 36 H

[56] References Cited

U.S. PATENT DOCUMENTS

D. 250,458 12/1978 Bauer ..... D12/12

OTHER PUBLICATIONS

Motor Age, 8/41, p. 24, Armored Car, top of page.

Army Ordnance, Jan.-Feb. 1943, vol. XXIV, No. 136, p. 34, Armored Vehicle, center of page.

Primary Examiner—James M. Gandy  
Attorney, Agent, or Firm—Hauke and Patalidis

[57] CLAIM

The ornamental design for an armored car, as shown and described.

DESCRIPTION

FIG. 1 is a perspective view of an armored car showing my new design.

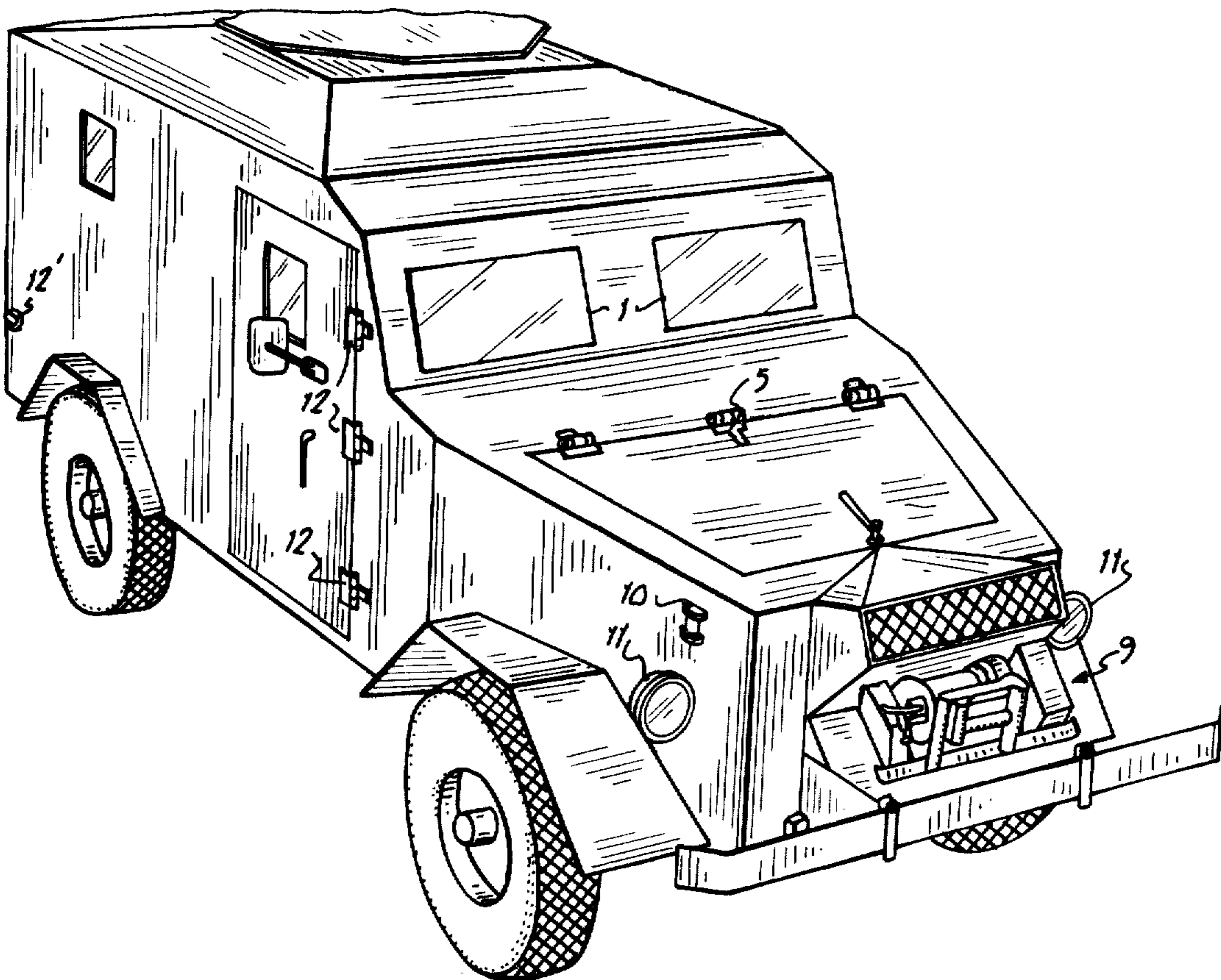
FIG. 2 is an enlarged front perspective view thereof.

FIG. 3 is a side elevation view thereof;

FIG. 4 is an elevation view of the other side thereof;

FIG. 5 is an enlarged rear perspective view thereof, it being understood that the tires have been fragmentarily shown for ease of illustration; and

FIG. 6 is a top plan view thereof.



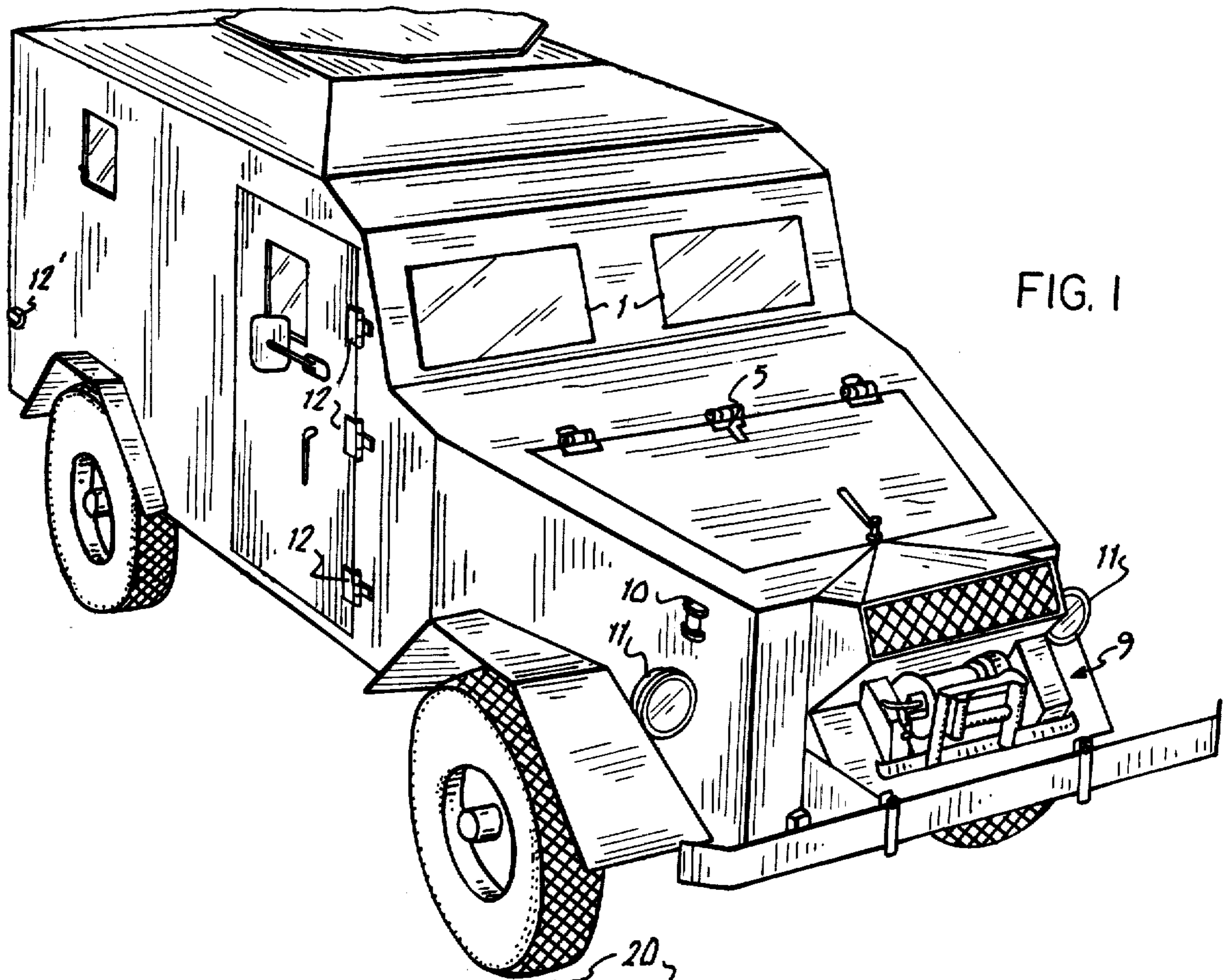


FIG. 1

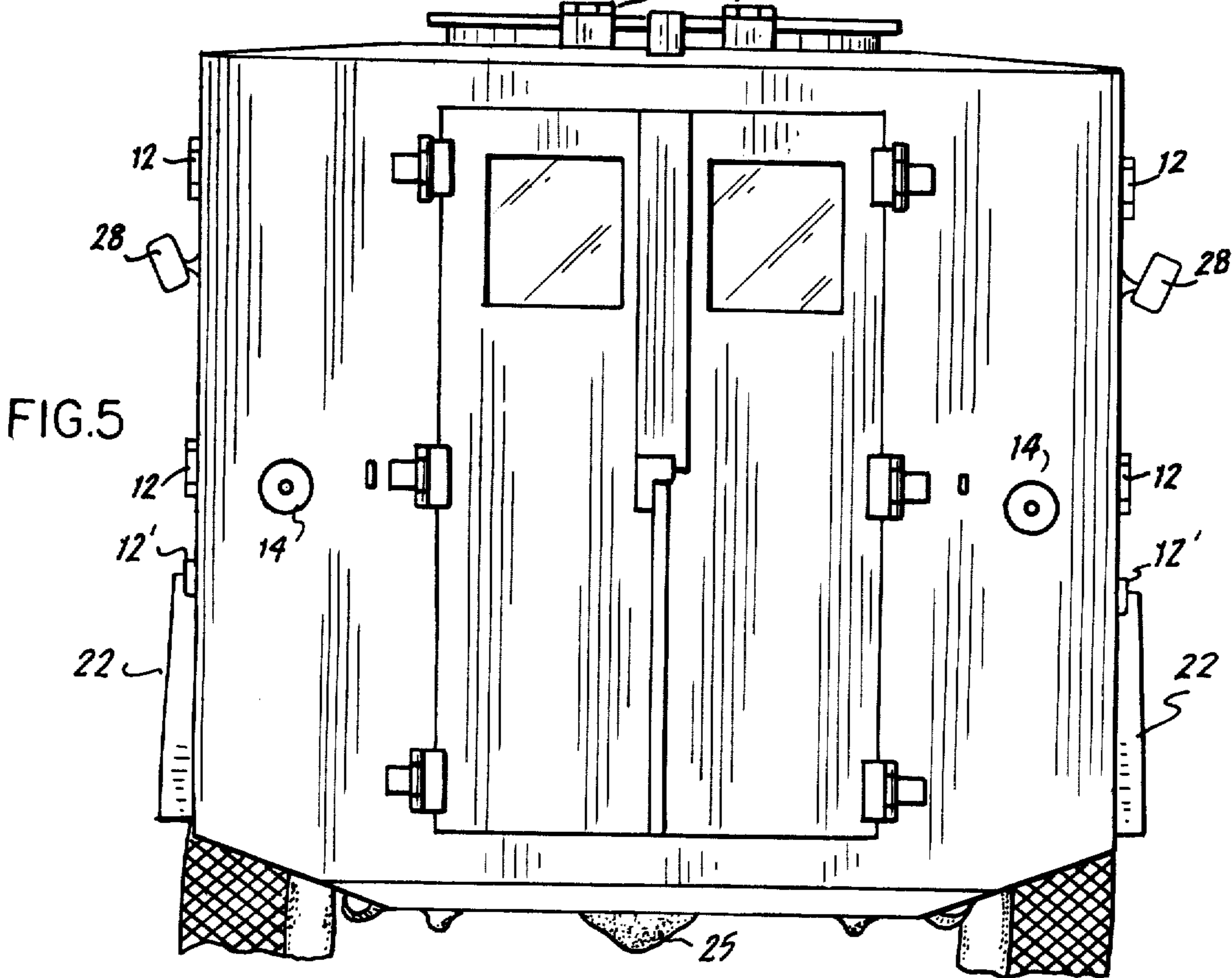


FIG. 5

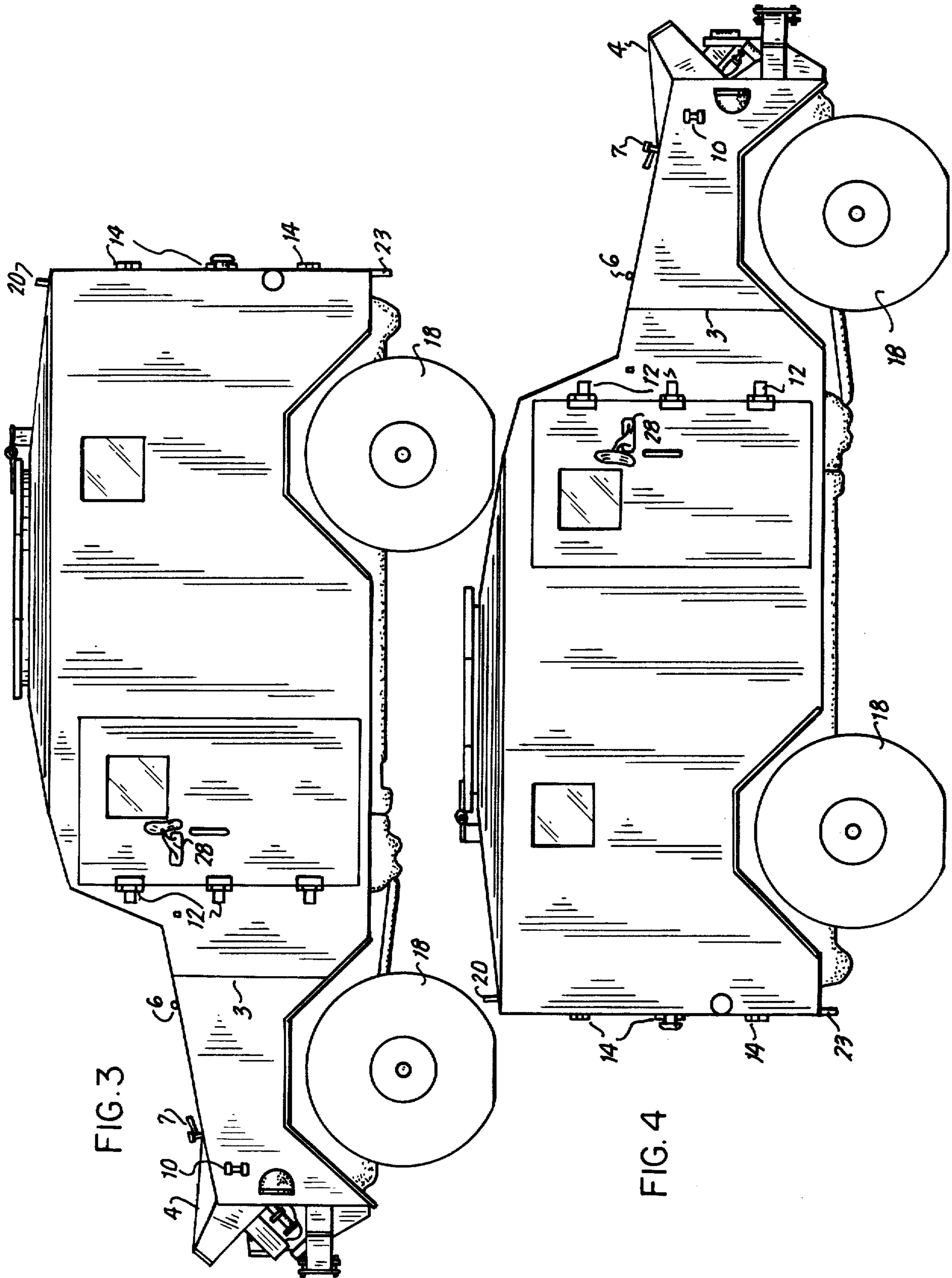


FIG. 3

FIG. 4

FIG. 2

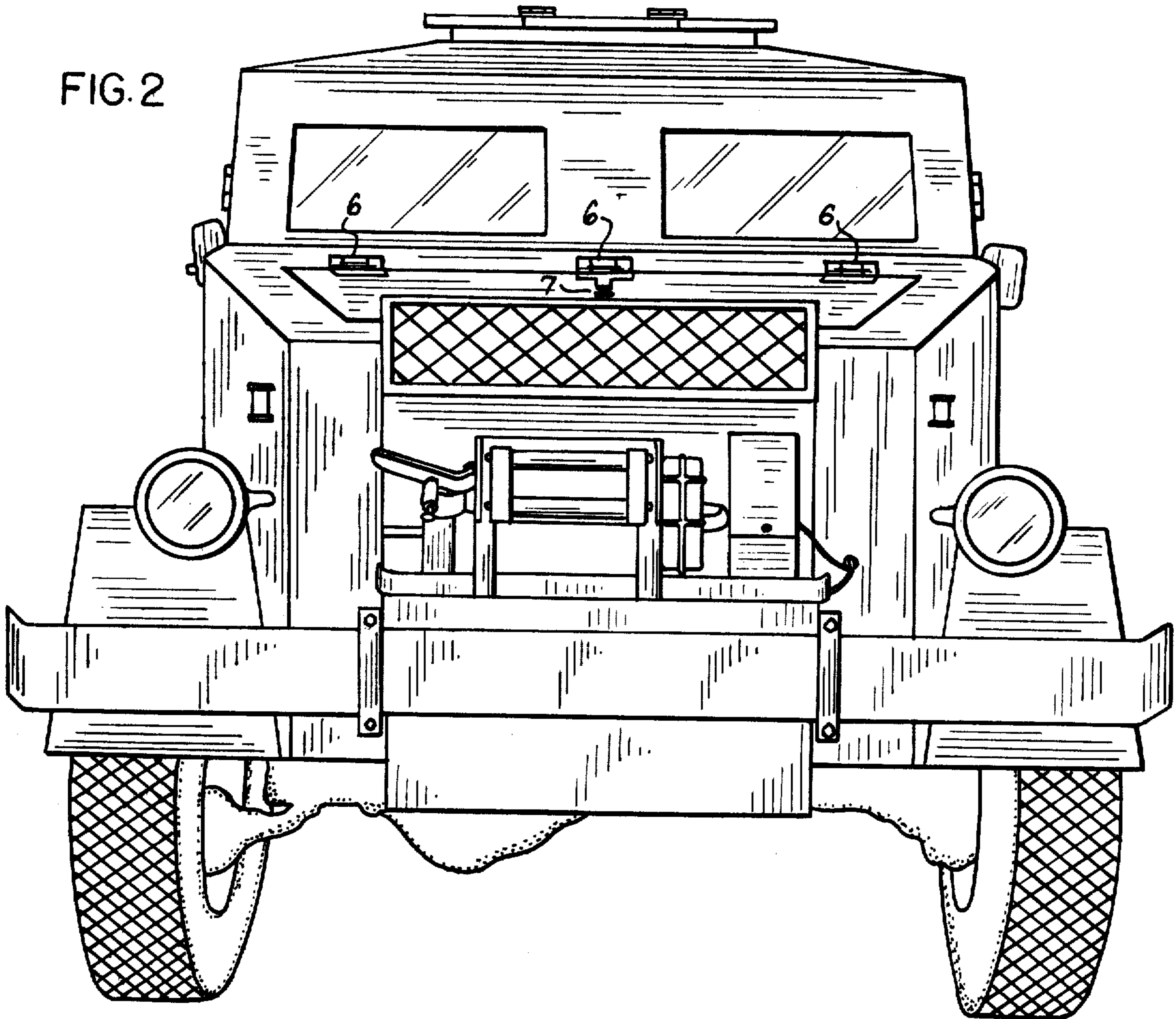
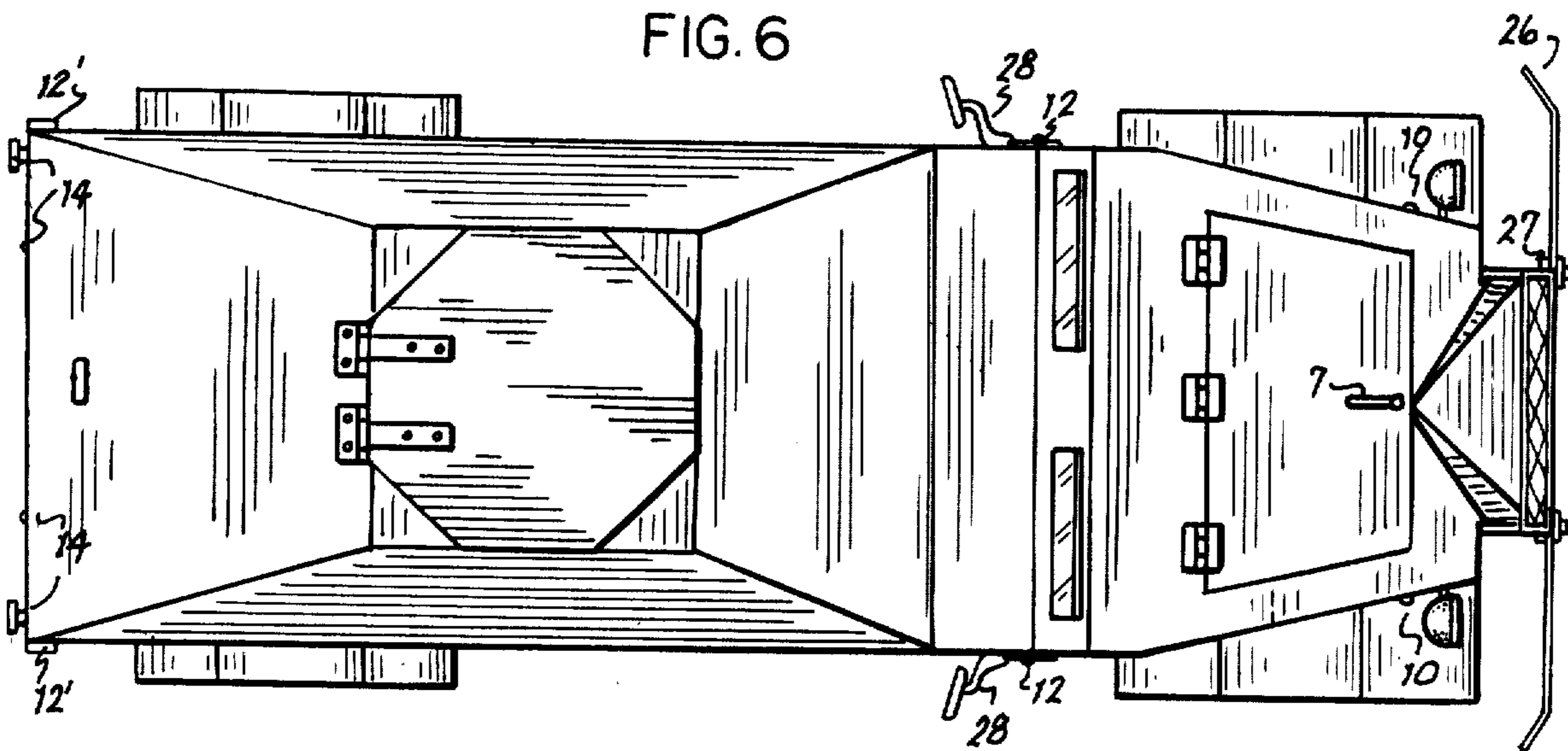


FIG. 6



UNITED STATES PATENT AND TRADEMARK OFFICE  
**CERTIFICATE OF CORRECTION**

PATENT NO. : D256,225  
DATED : August 5, 1980  
INVENTOR(S) : Russell E. Bauer

It is certified that error appears in the above—identified patent and that said Letters Patent is hereby corrected as shown below:

The title page and the three sheets of drawings should be deleted to insert the attached therefor.

**Signed and Sealed this**

*Twenty-fourth Day of February 1981*

[SEAL]

*Attest:*

RENE D. TEGMEYER

*Attesting Officer*

*Acting Commissioner of Patents and Trademarks*