

[54] MICROWAVE OVEN

[75] Inventors: Masamichi Yamamura, Osaka; Toshio Harada, Nara; Hanji Takahashi, Toyonaka, all of Japan

[73] Assignee: Matsushita Electric Industrial Co., Ltd., Kadoma, Japan

[\*\*] Term: 14 Years

[21] Appl. No.: 934,330

[22] Filed: Aug. 16, 1978

[30] Foreign Application Priority Data  
Feb. 20, 1978 [JP] Japan ..... 53-6240

[51] Int. Cl. .... D7-02  
[52] U.S. Cl. .... D7/128

[58] Field of Search ..... D7/128; 126/1 R, 19 R, 126/273 R, 275 R, 275 E; 219/10.55, 385, 386, 391, 392, 393, 399, 400; 99/324, 325, 326, 327, 330, 331, 339, 341; 312/236

[56] References Cited  
U.S. PATENT DOCUMENTS  
D. 235,838 7/1975 Suganoya et al. .... D7/128  
D. 251,473 4/1979 Takahashi et al. .... D7/128  
D. 252,494 7/1979 Mori et al. .... D7/128

Primary Examiner—Catherine E. Kemper  
Attorney, Agent, or Firm—Eric H. Waters

[57] CLAIM  
The ornamental design for a microwave oven, as shown.

DESCRIPTION  
FIG. 1 is a front, right side and top perspective view of a microwave oven showing our new design, FIG. 2 is a rear, left side and bottom perspective view thereof, FIG. 3 is a top plan view thereof, and FIG. 4 is a right side elevational view thereof.

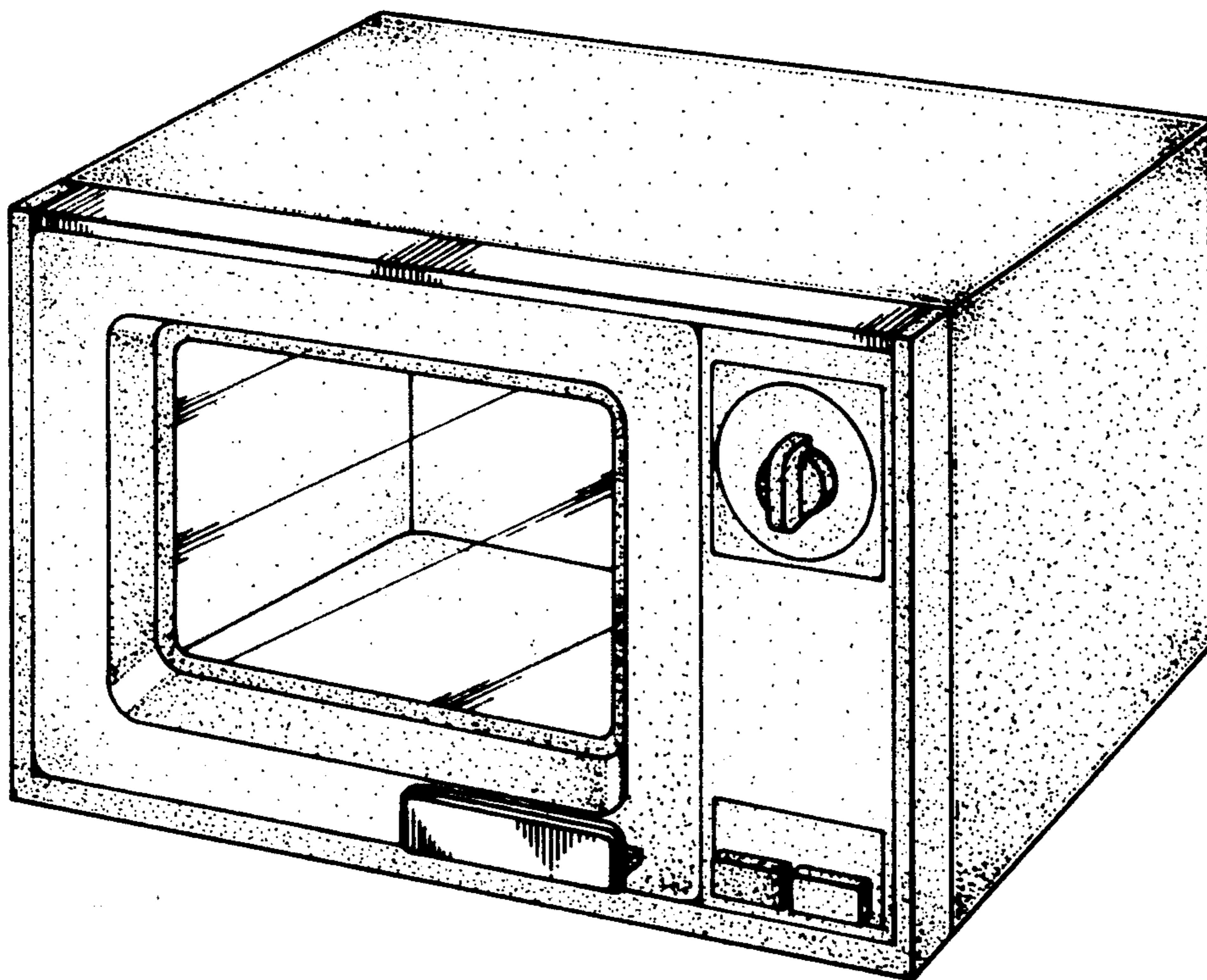


FIG. 1

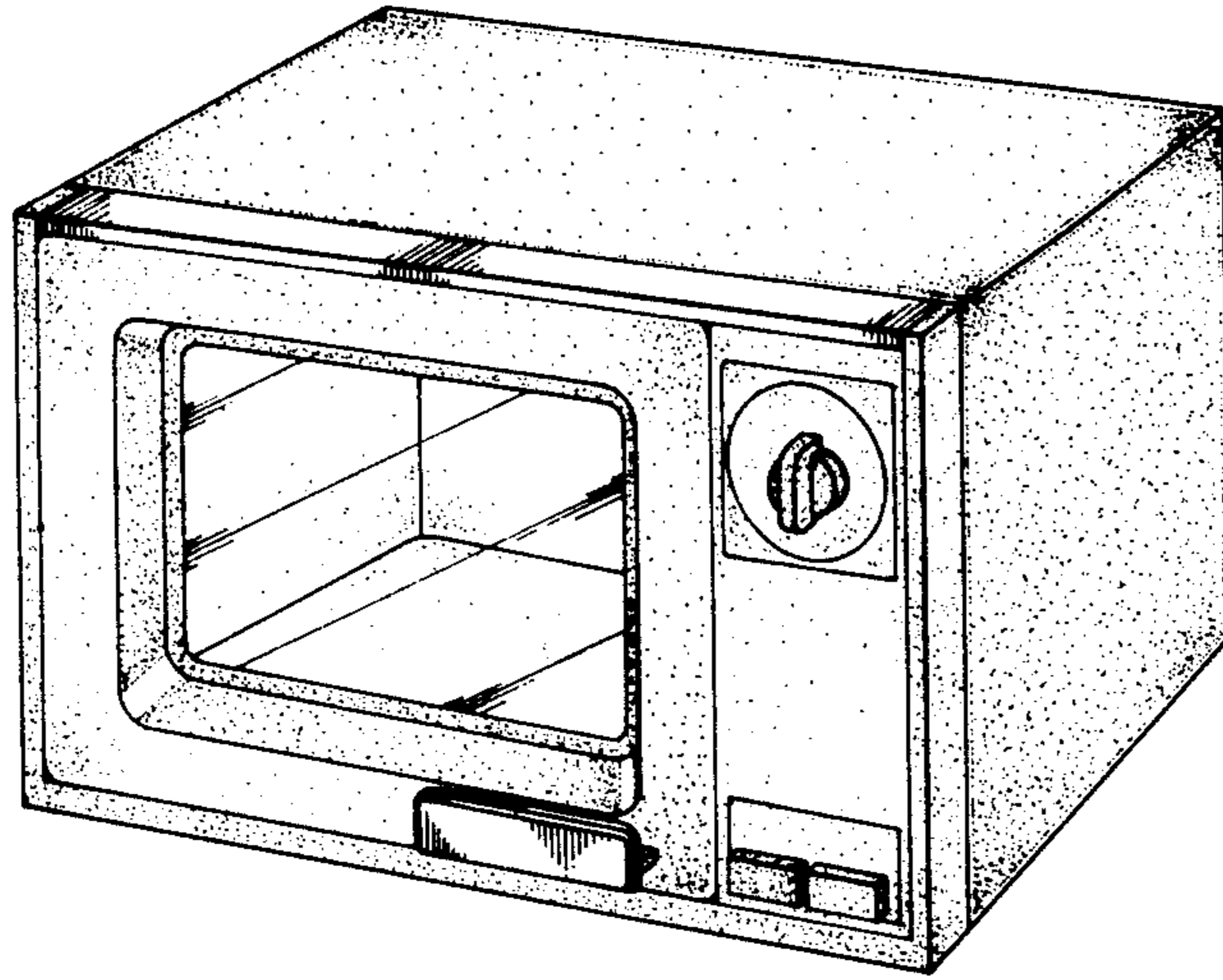
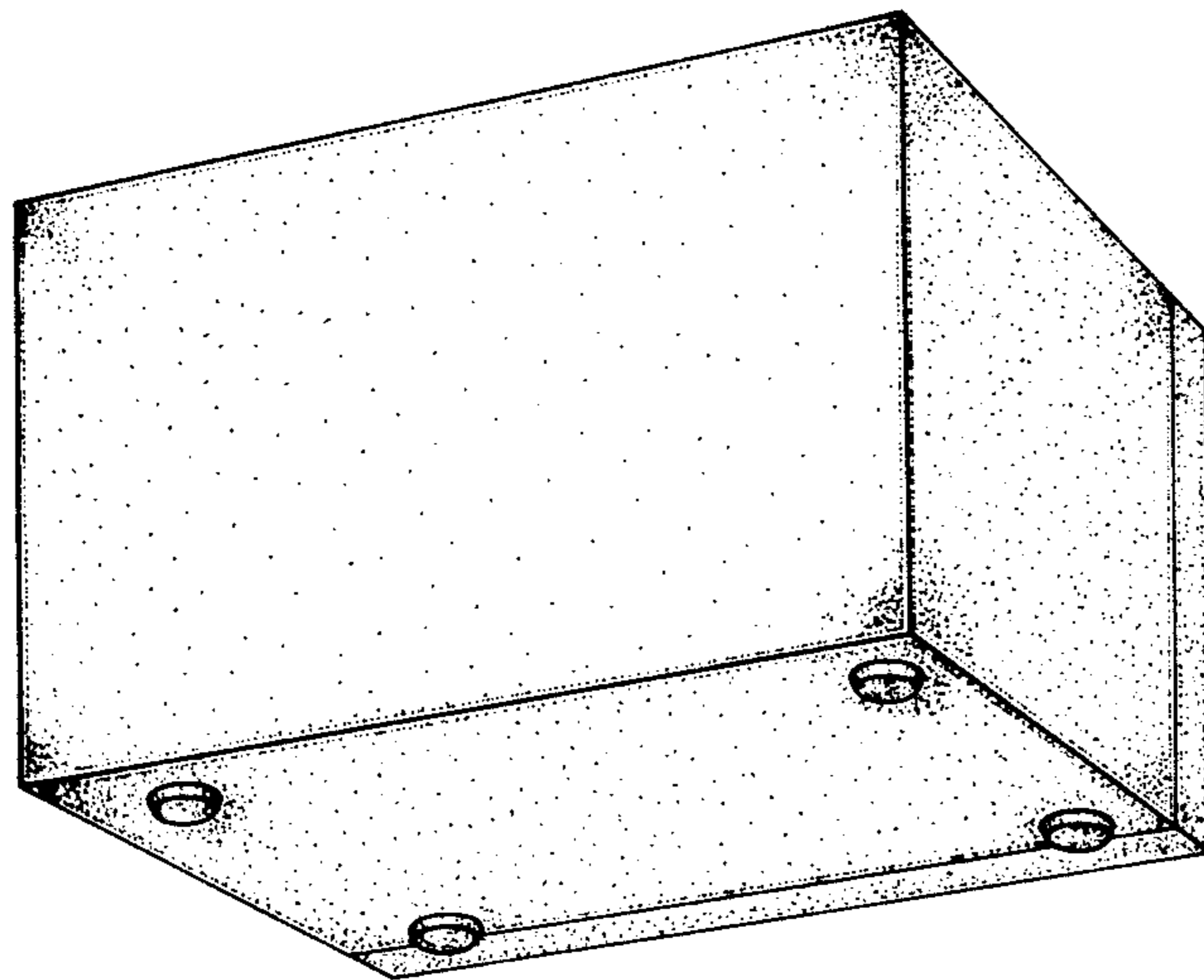
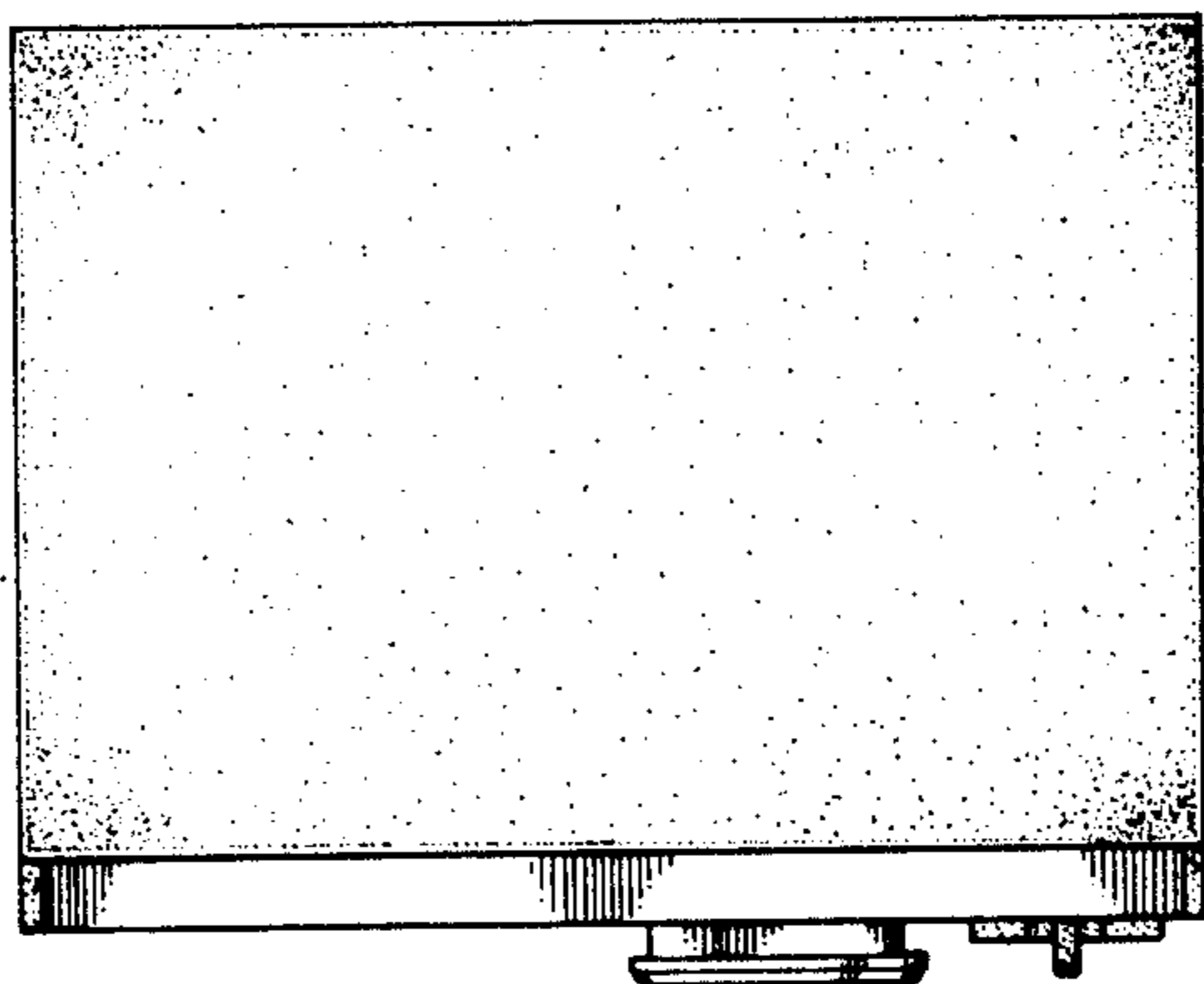


FIG. 2



*FIG. 3*



*FIG. 4*

