

[54] STACKABLE BOWL OR THE LIKE

[75] Inventors: Robert F. Bateman, Greenville;  
Harold P. Ashton, Providence, both  
of R.I.

[73] Assignee: Dart Industries Inc., Los Angeles,  
Calif.

[\*\*] Term: 14 Years

[21] Appl. No.: 904,720

[22] Filed: May 10, 1978

[51] Int. Cl. .... D07-01

[52] U.S. Cl. .... D7/23; D9/220

[58] Field of Search .... D7/22, 98, 23, 1, 3,  
D7/76, 17, 20; D9/220, 219; D11/152, 153, 154

[56]

References Cited

U.S. PATENT DOCUMENTS

D. 243,912	4/1977	Daenen .....	D7/23
D. 244,415	5/1977	Daenen .....	D7/23
2,412,325	12/1946	Devine et al. ....	D7/17 X
3,698,594	10/1972	Boehlert .....	D7/23 X
3,957,097	5/1976	Swett .....	D7/76 X

Primary Examiner—Winifred E. Herrmann  
Attorney, Agent, or Firm—Leigh B. Taylor

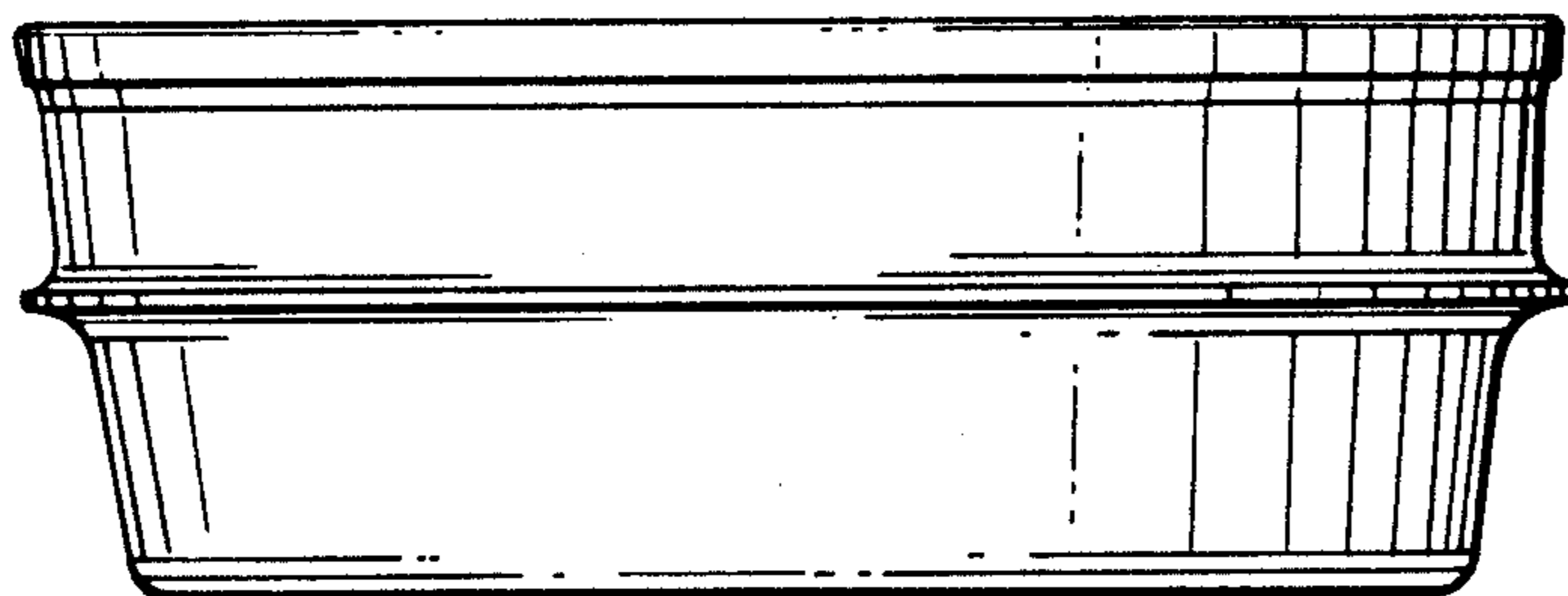
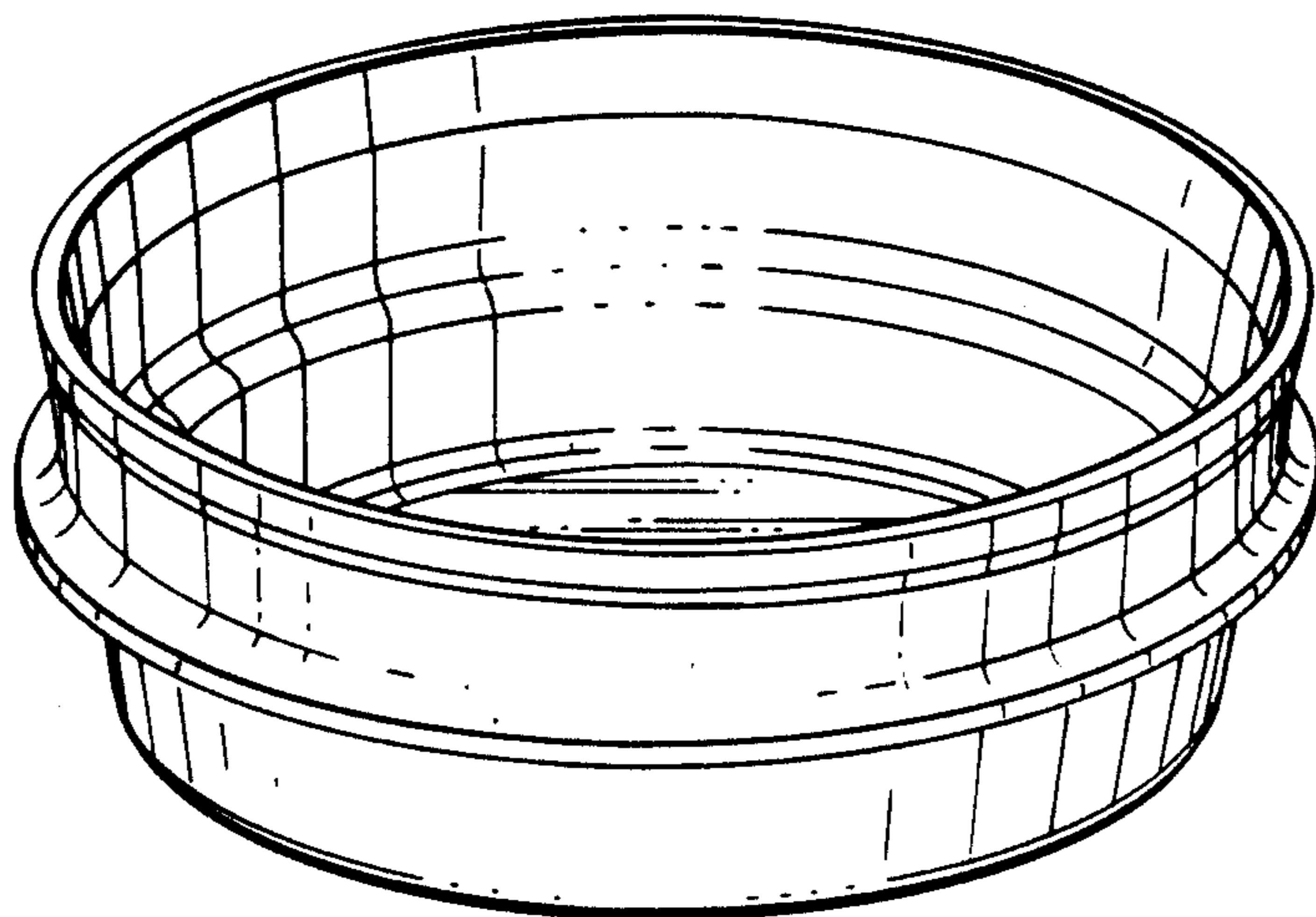
[57]

CLAIM

The ornamental design for a stackable bowl or the like,  
substantially as shown.

DESCRIPTION

FIG. 1 is a top perspective view of a stackable bowl or  
the like showing our new design;  
FIG. 2 is a side elevational view thereof;  
FIG. 3 is a top plan view thereof;  
FIG. 4 is a bottom plan view thereof; and  
FIG. 5 is an enlarged cross-sectional view thereof taken  
along line 5—5 of FIG. 3.



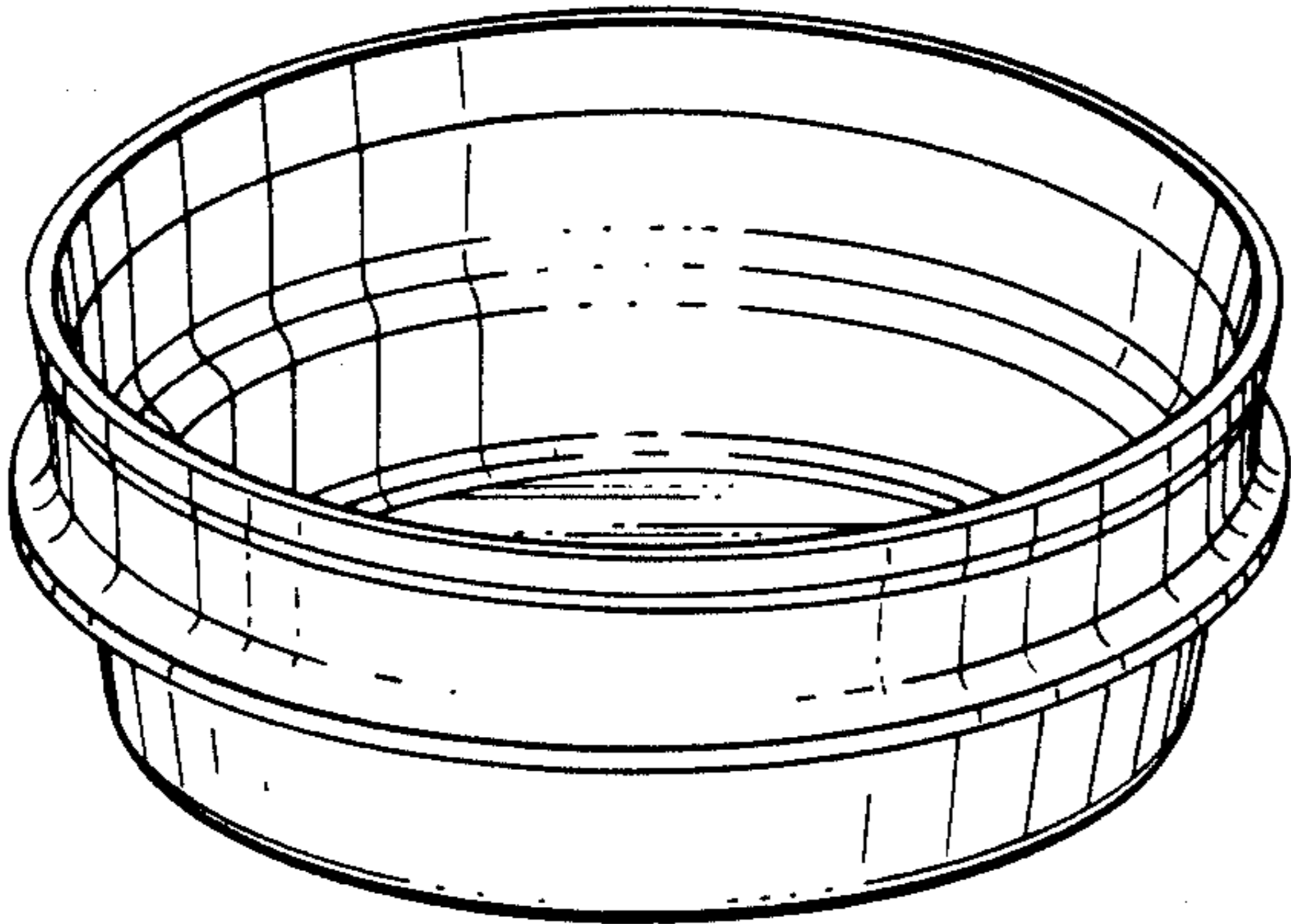


FIG. 1

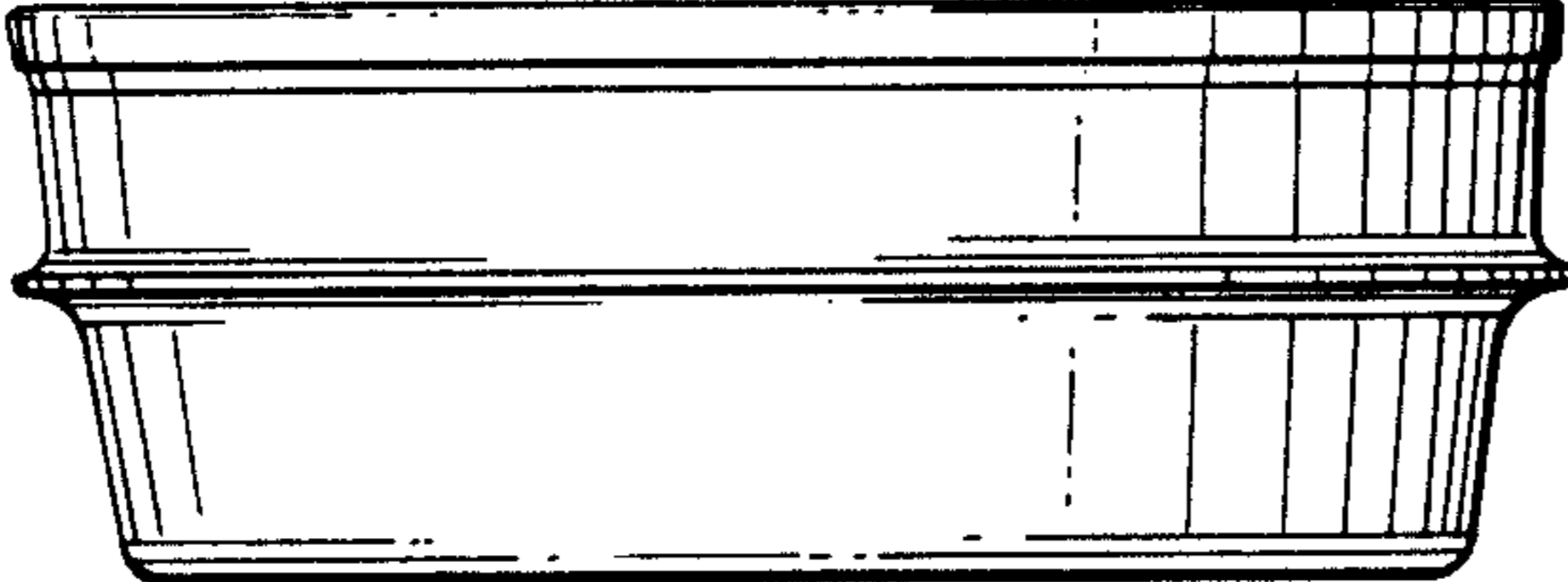


FIG. 2

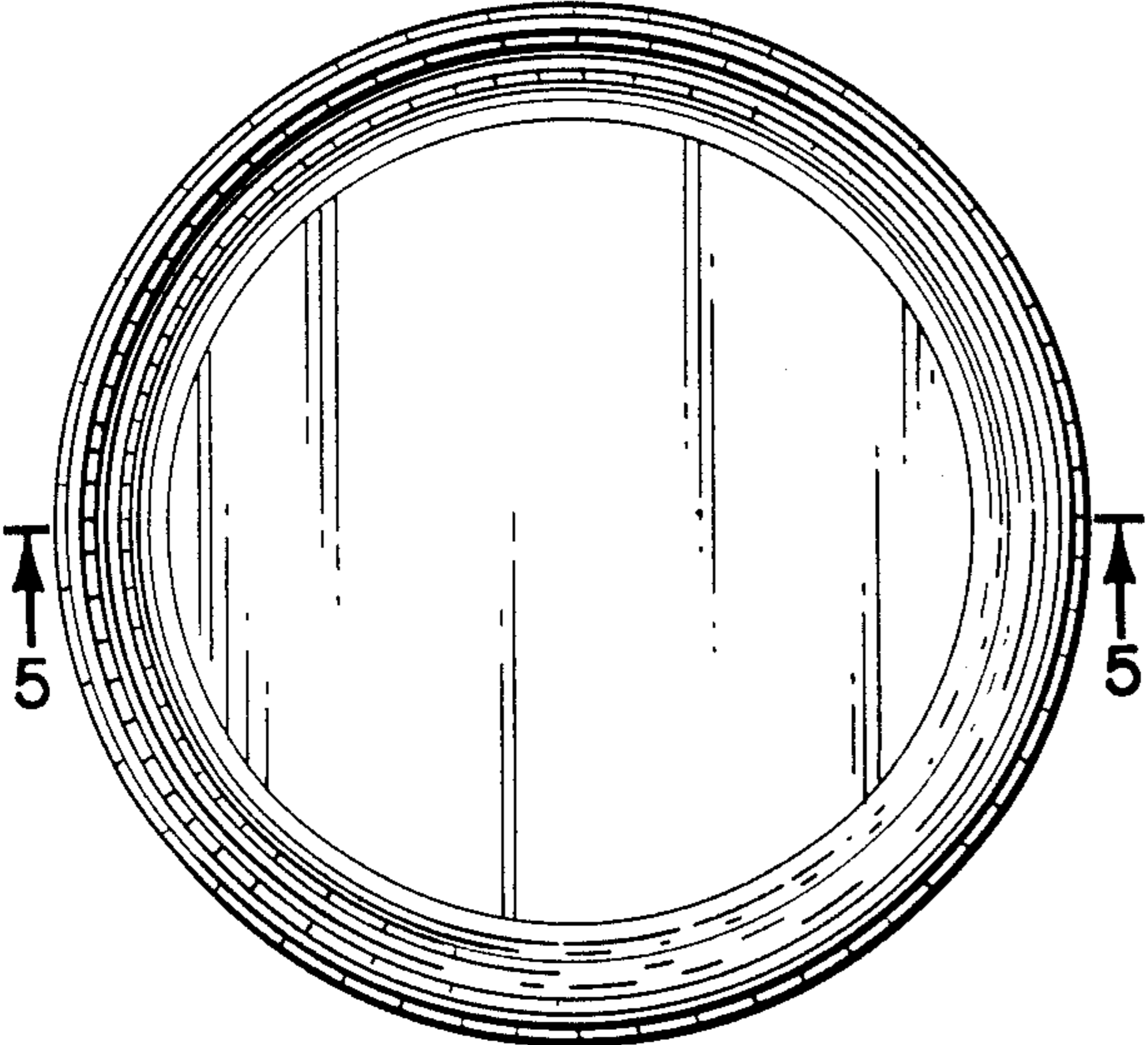


FIG. 3

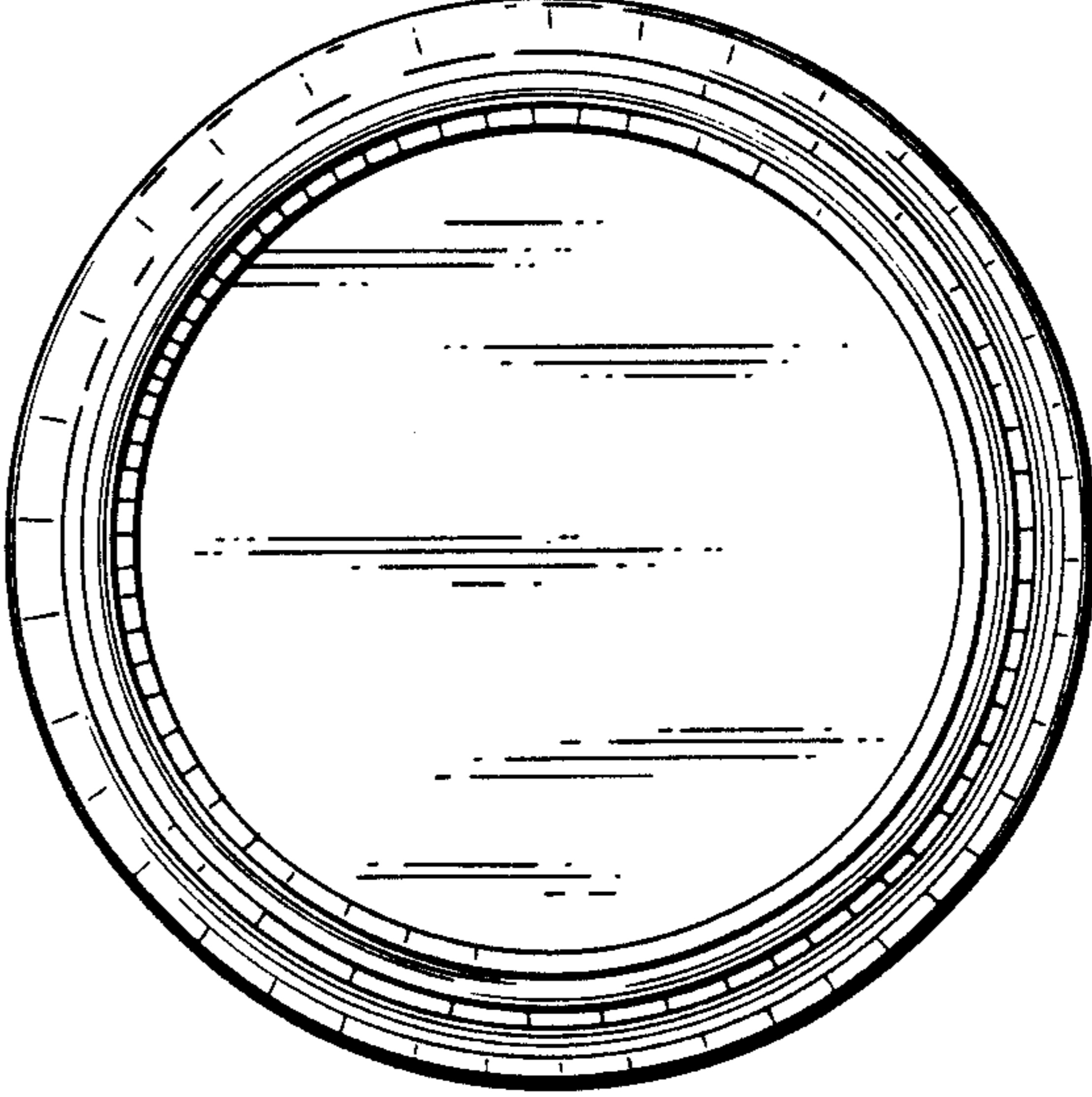


FIG. 4

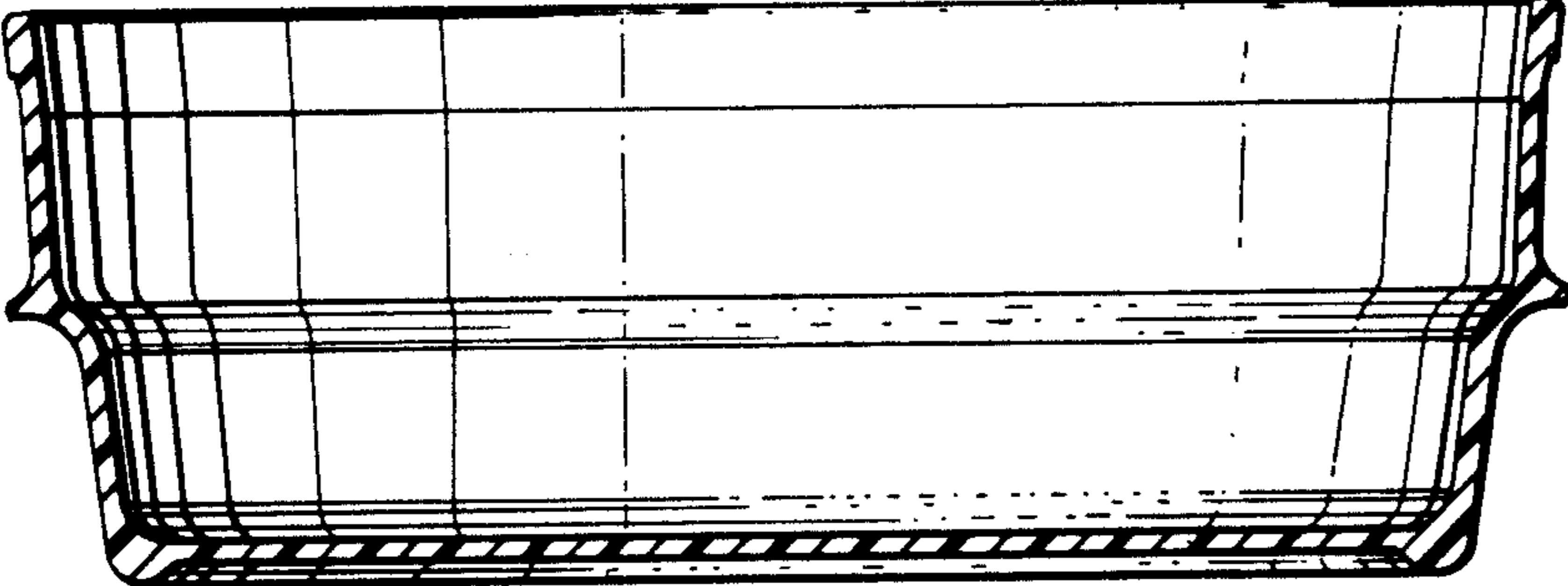


FIG. 5