

[54] CHAIR ARM TRAY

[76] Inventor: Edward Ventura, 18371 Acacia Ave., Lake Elsinore, Calif. 92330

[\*\*] Term: 14 Years

[21] Appl. No.: 952,573

[22] Filed: Oct. 18, 1978

[51] Int. Cl. .... D6-06; D7-99

[52] U.S. Cl. .... D6/199; D7/38; D7/70

[58] Field of Search ..... 211/88; 108/44, 42, 108/45, 47; 297/194, 188; D6/199, 93; D7/37, 38, 70, 71, 19, 27, 1

[56] References Cited

U.S. PATENT DOCUMENTS

- D. 91,229 12/1933 Pyle ..... D7/19
- D. 104,363 5/1937 Barth ..... D7/27 X
- D. 150,666 8/1948 Zachary ..... D7/27

- D. 213,576 3/1969 Douglas ..... D7/38
- 2,650,651 9/1953 Choate ..... D7/37 X
- 3,675,969 7/1972 Gage ..... 297/194

OTHER PUBLICATIONS

*Home Furnishings Daily*, Mar. 6, 1958, p. 18, Skillet Shape Cheese Board shown.

*House Beautiful*, 10-1958, p. 120, Snack Trays-top center panel, Hultberg's Adv.

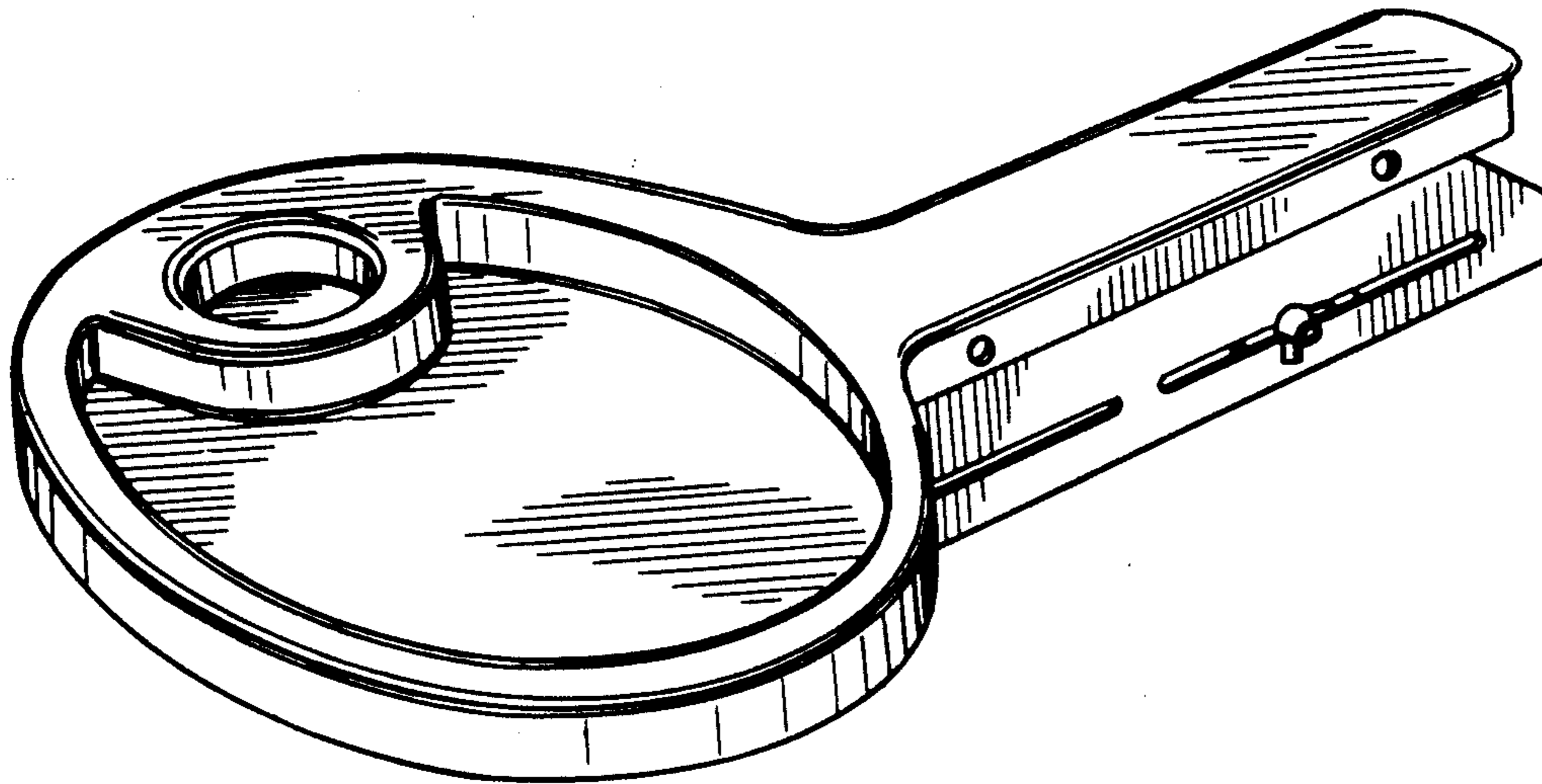
Primary Examiner—Winifred E. Herrmann

[57] CLAIM

The ornamental design for a chair arm tray, substantially as shown.

DESCRIPTION

FIG. 1 is a perspective view from the left front of a chair arm tray, showing my new design; FIG. 2 is a right side elevational view thereof; FIG. 3 is a bottom plan view thereof; and FIG. 4 is a rear elevational view thereof.



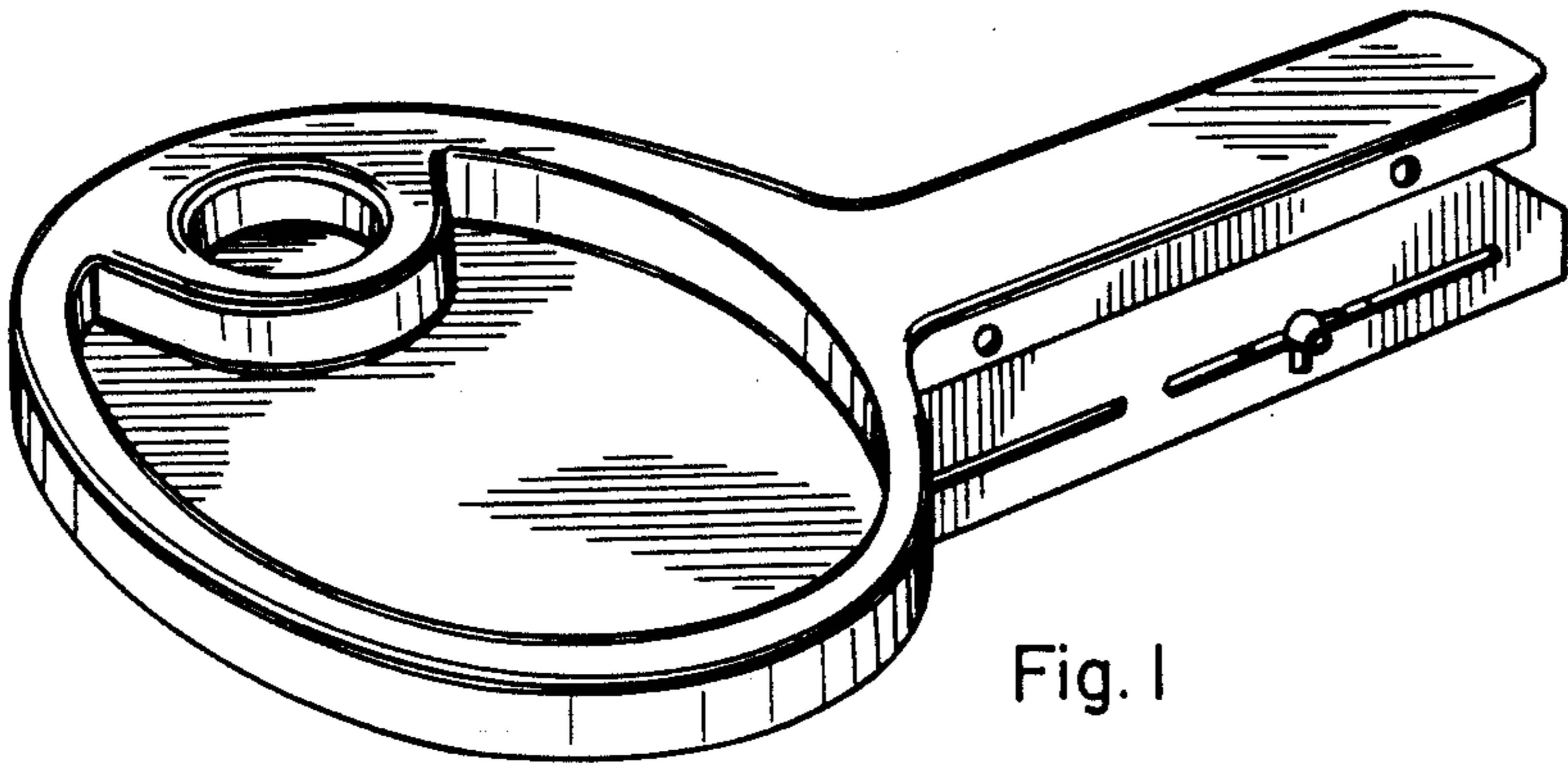


Fig. 1

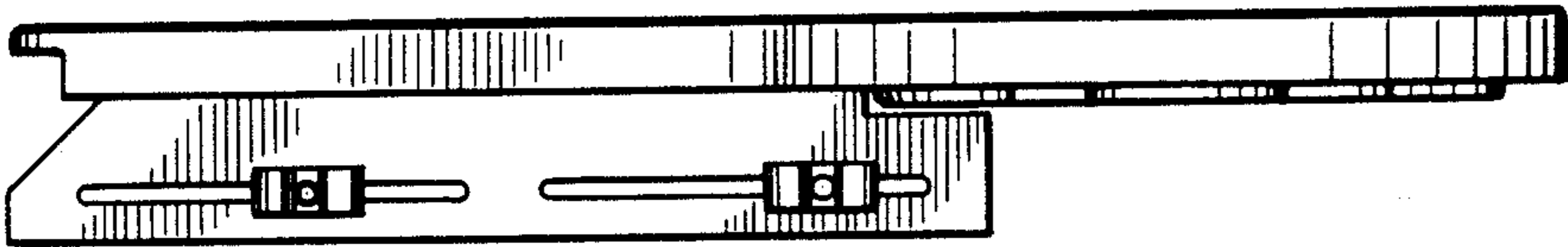


Fig. 2

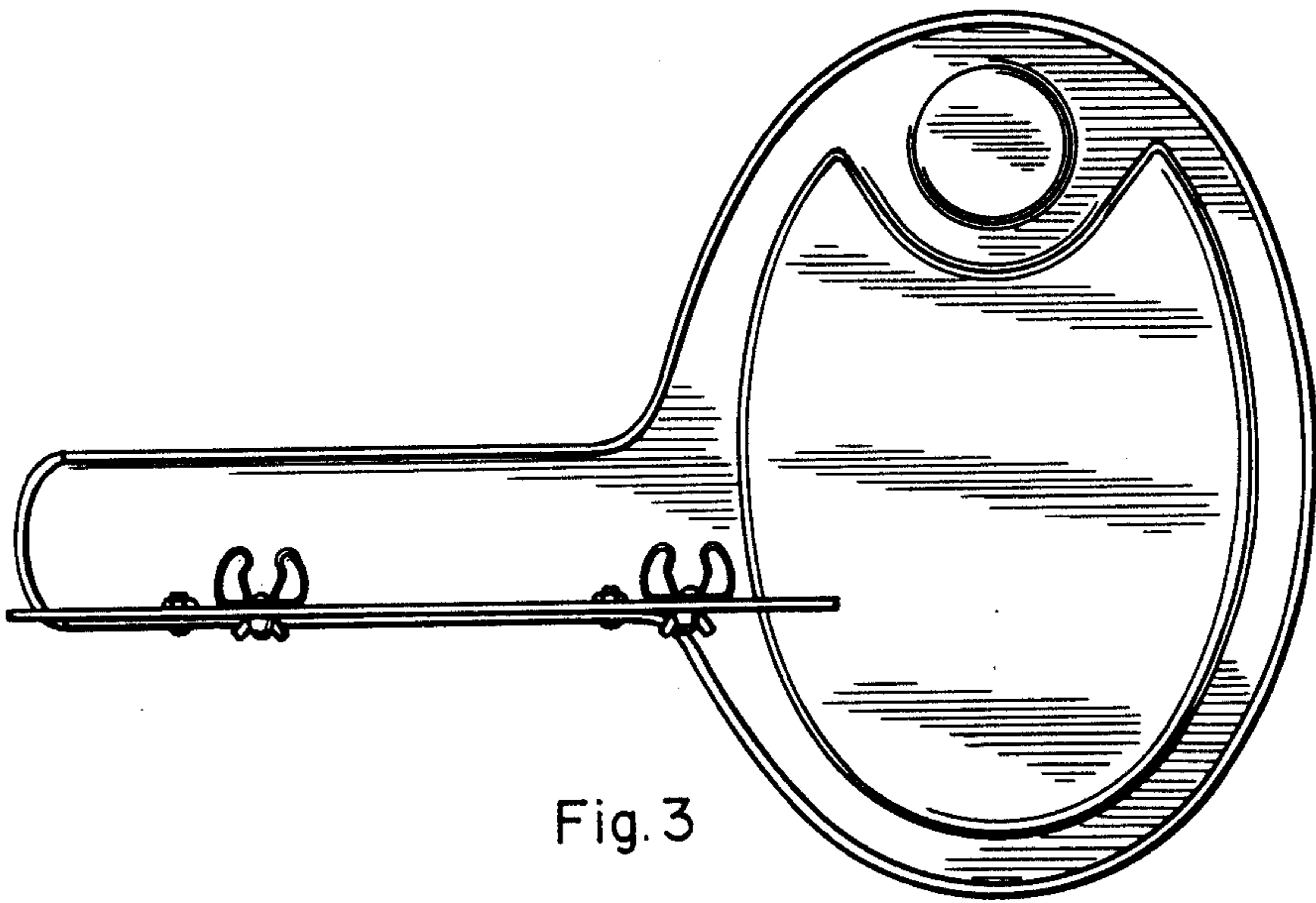


Fig. 3

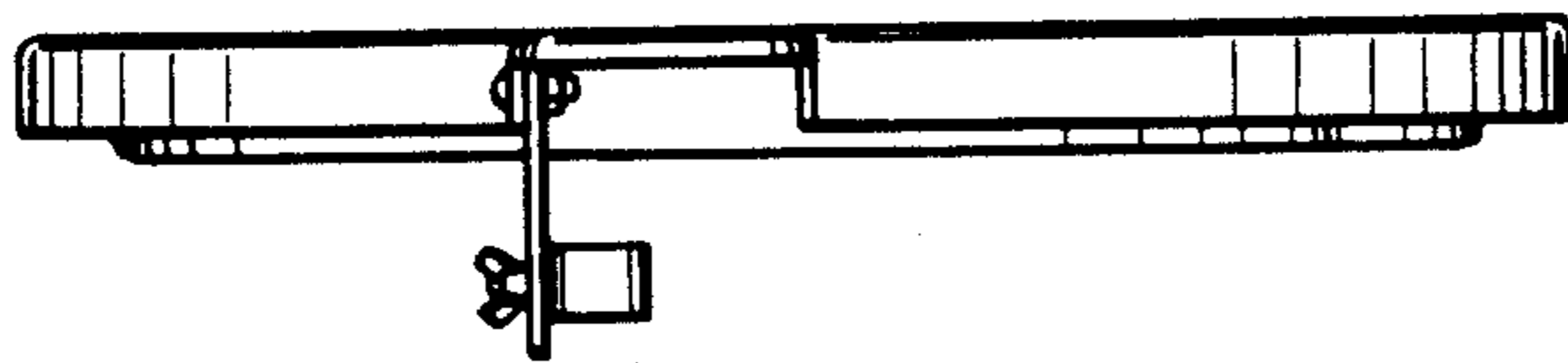


Fig. 4